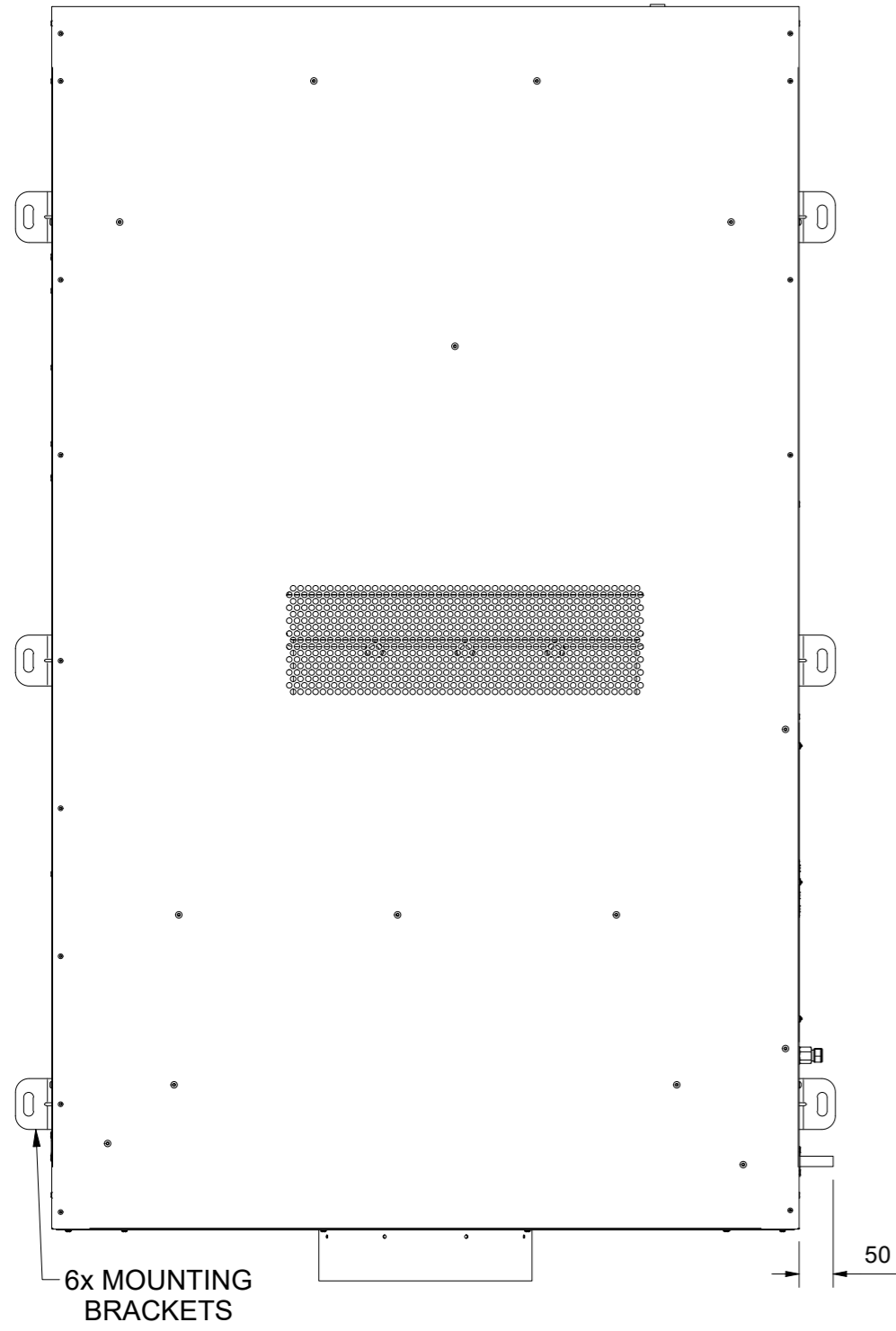
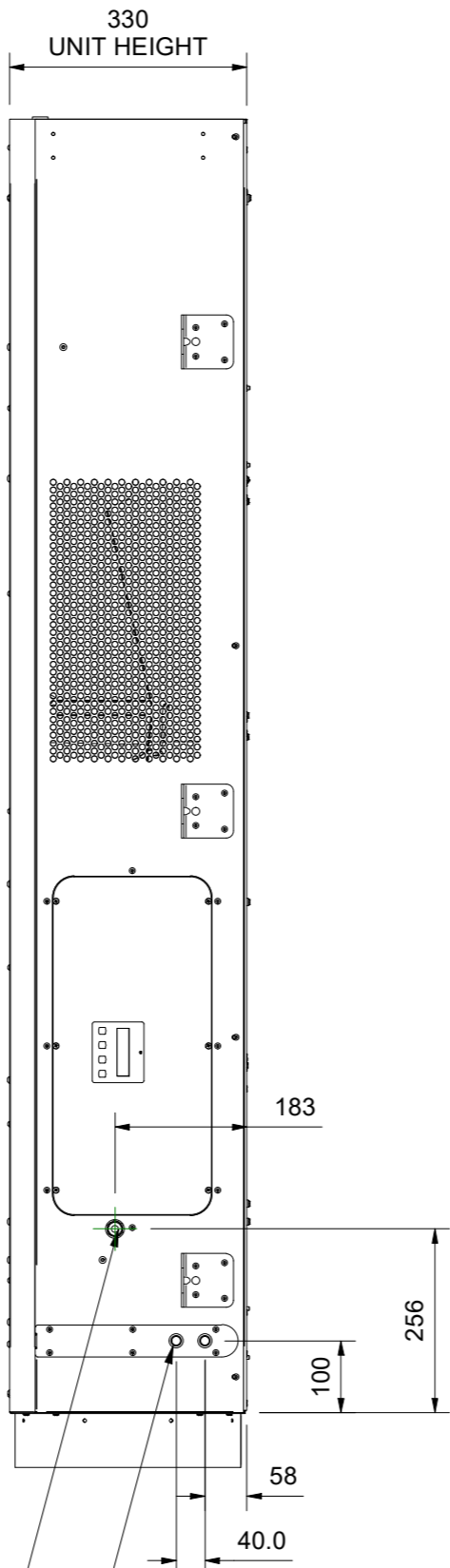


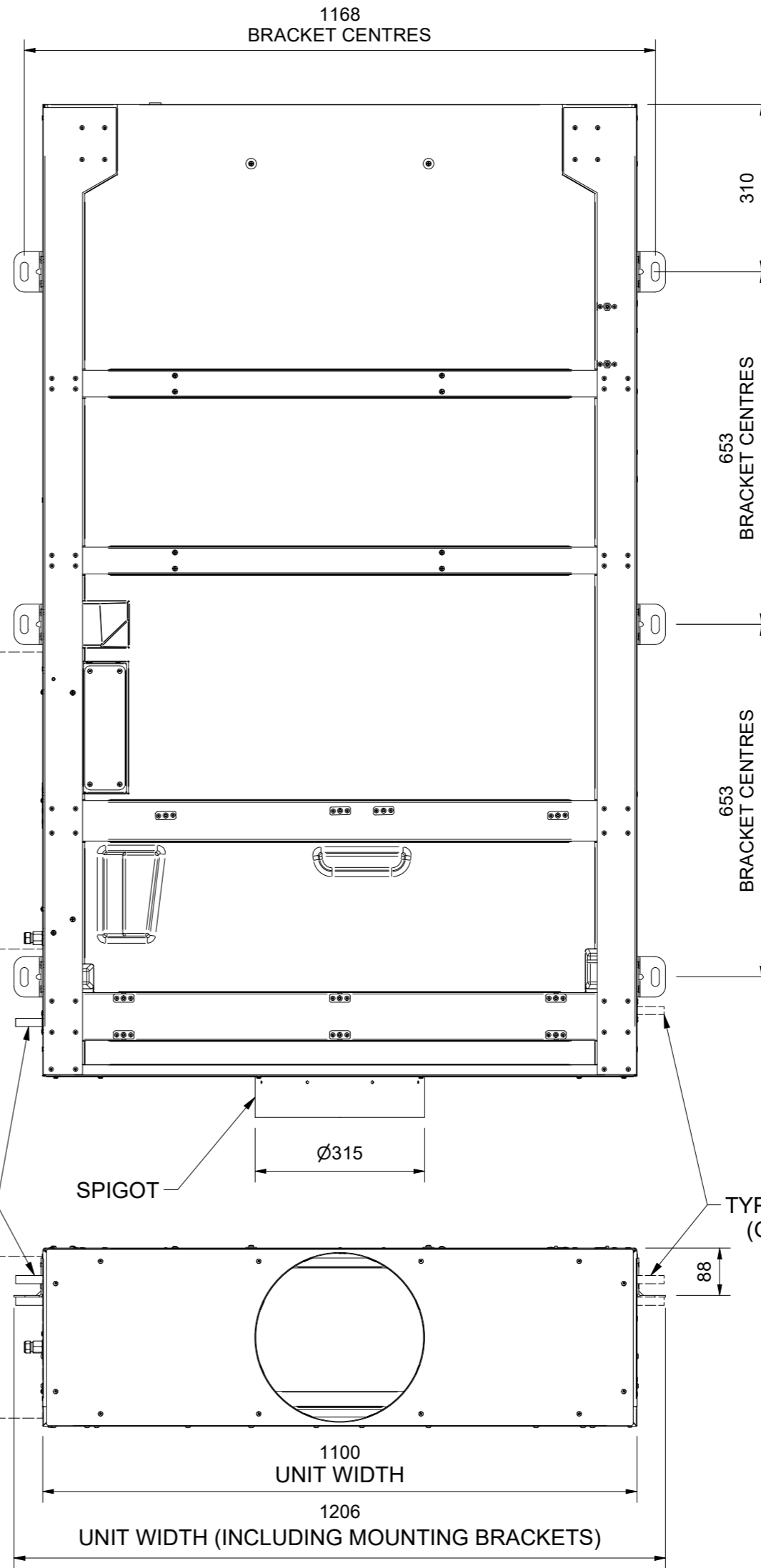
BOTTOM VIEW



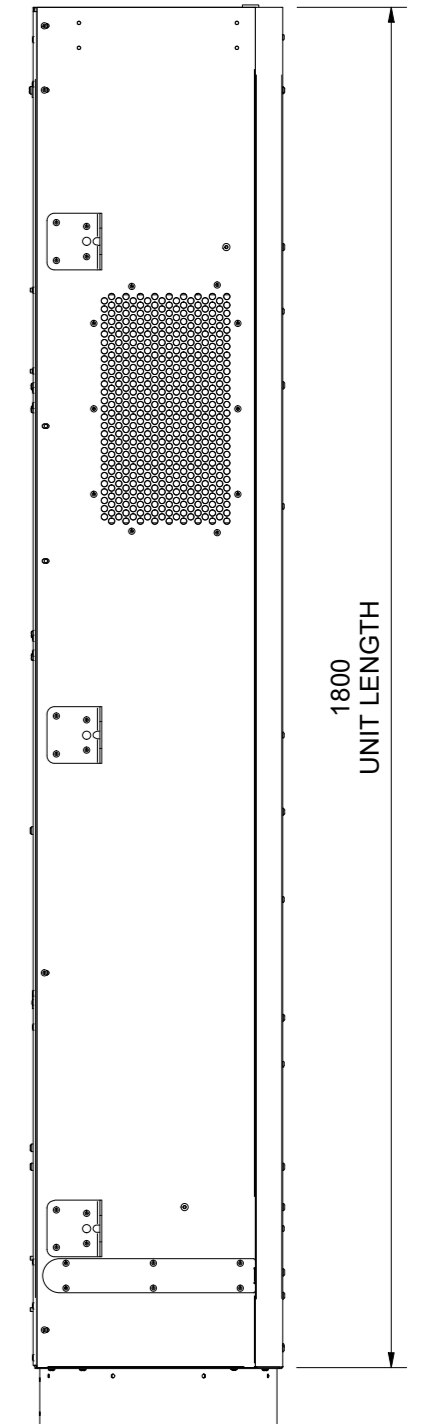
SIDE VIEW



TOP VIEW



SIDE VIEW



COOLING COIL CONDENSATE PUMP OUTLET
(Ø10 mm FEMALE COMPRESSION FITTING)

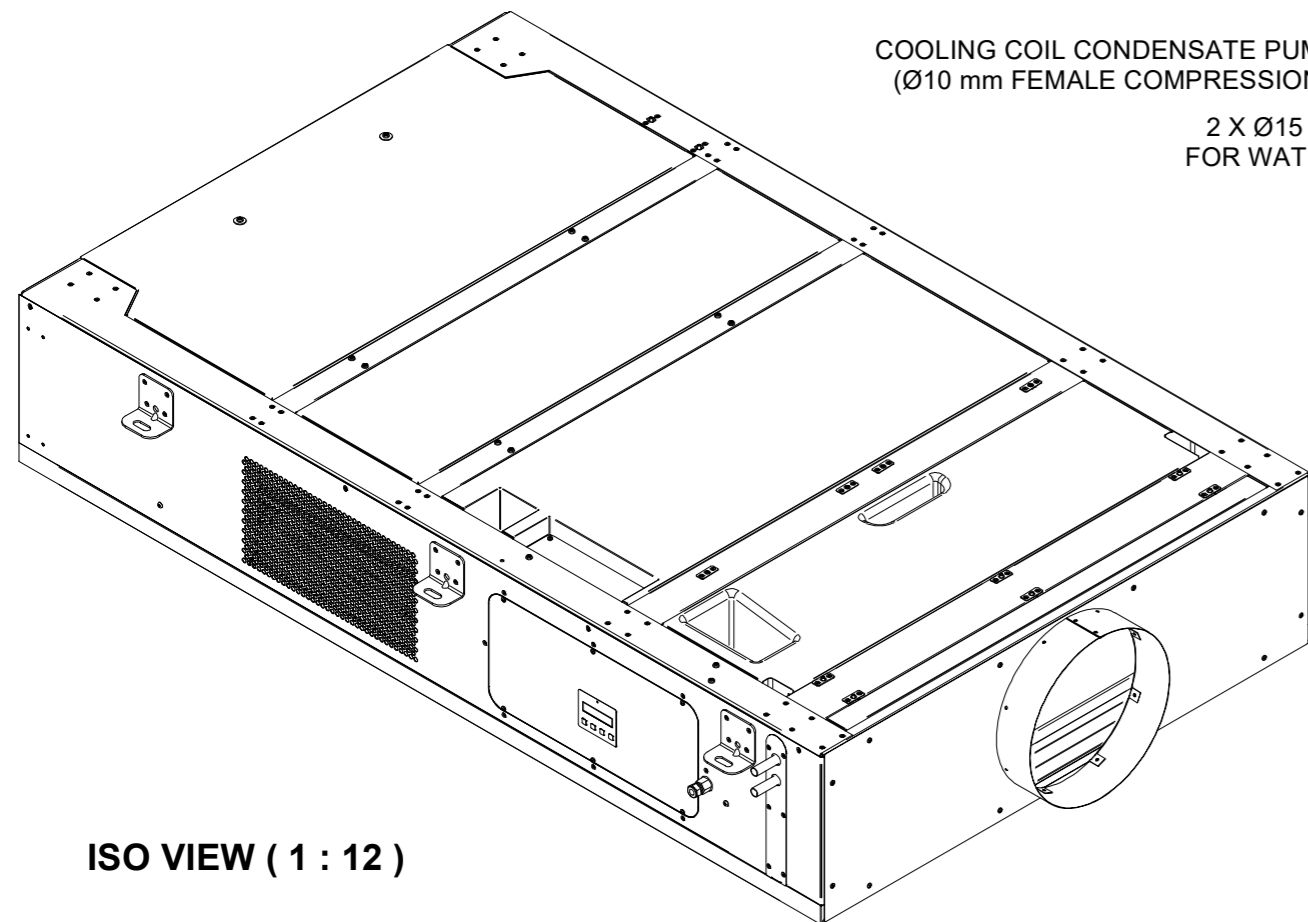
2 X Ø15 COPPER PIPES
FOR WATER CONNECTION

CONTROL BOX SPACE ENVELOPE
KEEP SPACE CLEAR FOR ACCESS
550mm (L) x 450mm (W) x 300mm (H)

TYPE A COIL TAILS
(AS STANDARD)

SPIGOT

TYPE B COIL TAILS
(ON REQUEST)



| DIMENSIONS IN MILLIMETRES TOLERANCES:- X ±0.5 X.X ±0.2 X.XX ±0.1 ANGULAR DIMENSIONS ±1.0° UNLESS OTHERWISE SPECIFIED | | | | | | A | 29/01/2024 | MJW | 18437 | 31/01/2024 | SRA | | | | |
|--|------------|-------|--------|------------|-------|--------------------|------------|-----------------------------------|-------|------------|-----|--------|--|--|--|
| ISSUE | CHK'D DATE | CHK'D | ECO No | APV'D DATE | APV'D | TITLE | | | | | | | | | |
| © VOLUTION VENTILATION UK LIMITED (trading as Breathing Buildings) 2024 No part of this work may be reproduced, distributed, stored in a retrieval system of any nature, or transmitted, in any form or by any means including photocopying, without the prior written permission of Volution Ventilation UK Limited (company number 11352032), the copyright owner. Licences issued by the Copyright Licensing Agency or any other reproduction rights organisation do not apply. Volution Ventilation UK Limited reserves the right to change the work without prior consent. All rights reserved. | | | | | | DRAWN DT | | DATE 04/01/2024 | | SHT 1 of 1 | | STATUS | | NVHRe C+ 1100 Spigot GENERAL ASSEMBLY | |
| PRODUCT NVHRe C+ 1100 Spigot | | | | | | SCALE 1 : 10 U.O.S | | STOCK REF No NVHRe C+ 1100 Spigot | | DRG No | | ISSUE | | | |
| Breathing Buildings | | | | | | A2 | | PROJECTION | | 413424 | | A | | | |