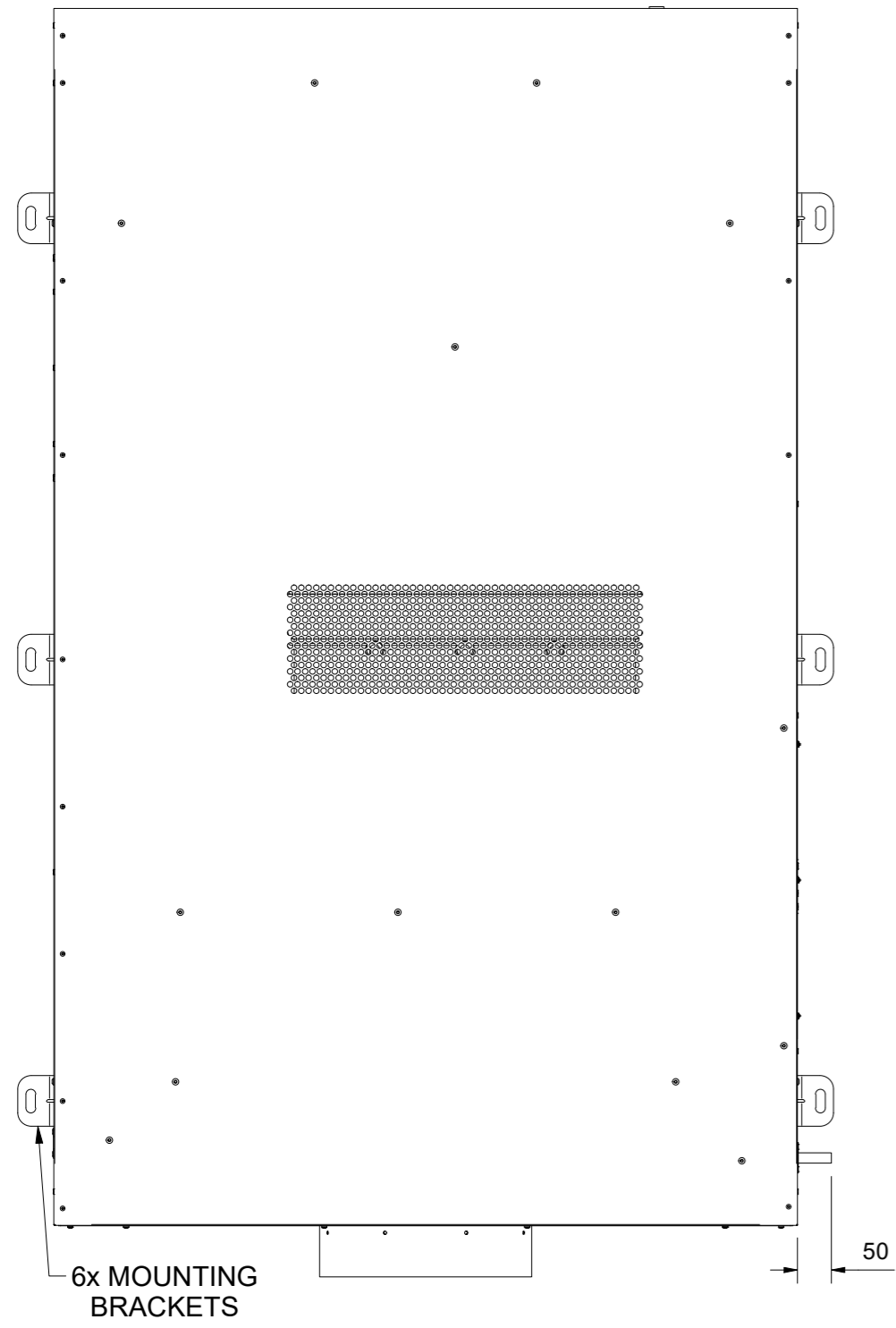
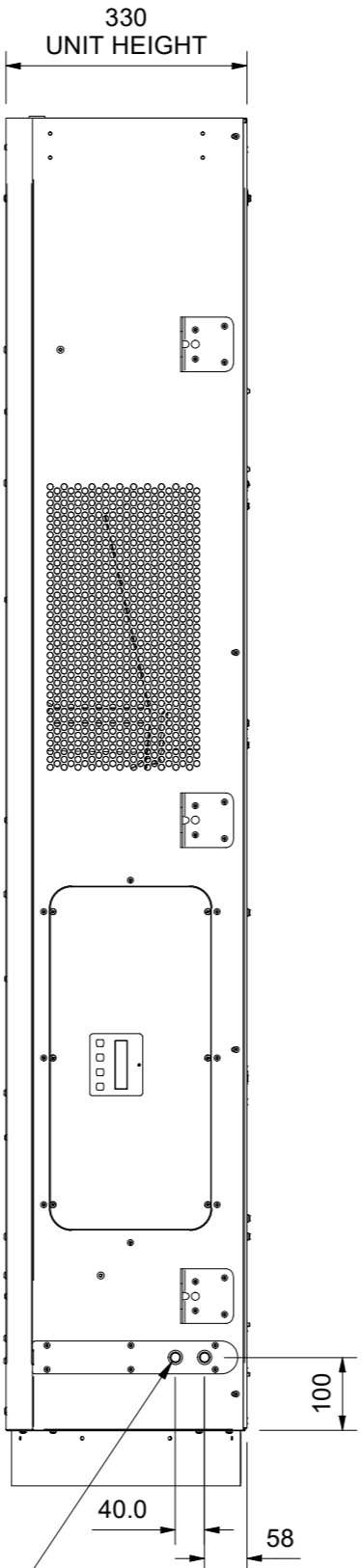


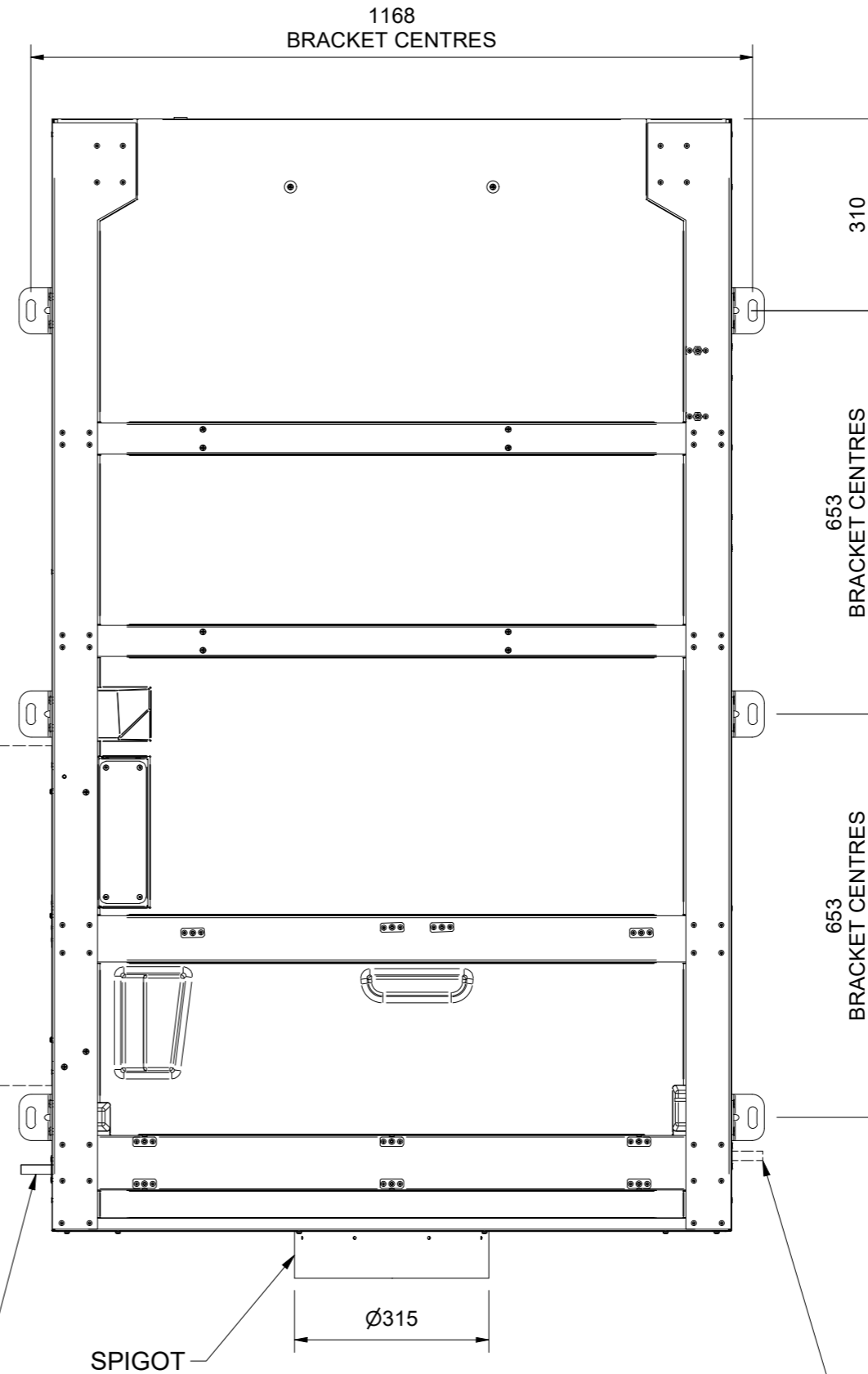
BOTTOM VIEW



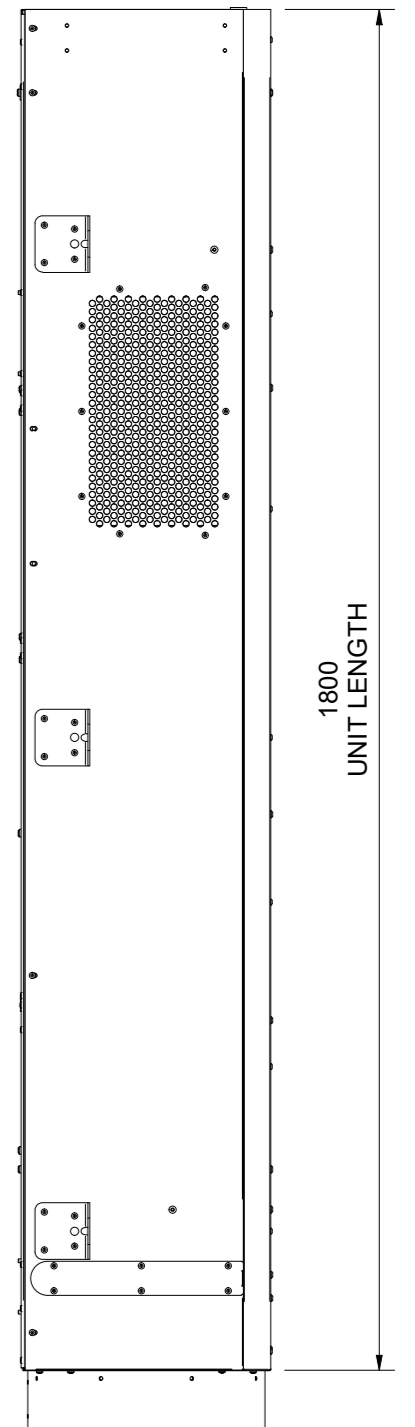
SIDE VIEW



TOP VIEW



SIDE VIEW



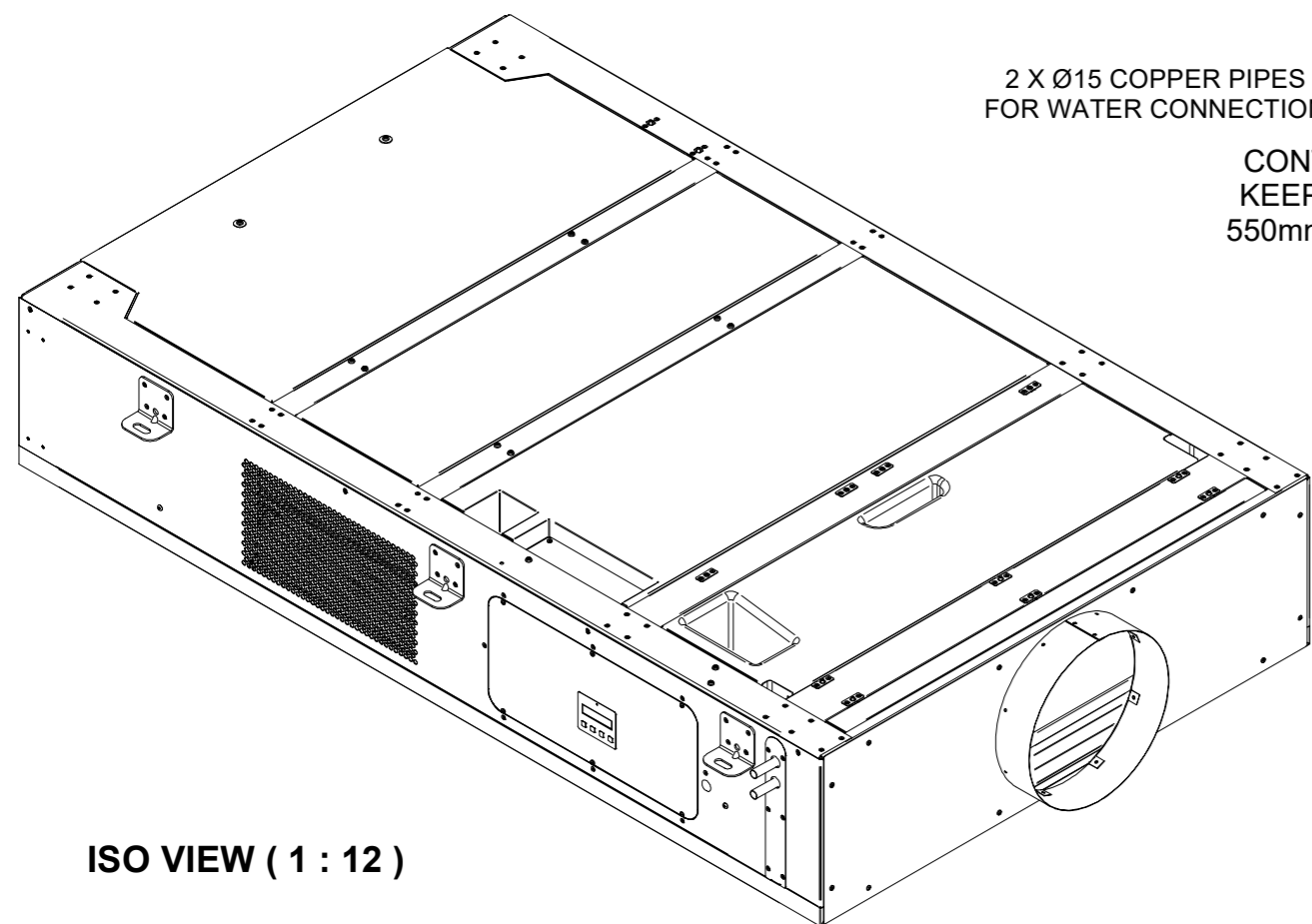
2 X Ø15 COPPER PIPES FOR WATER CONNECTION

CONTROL BOX SPACE ENVELOPE
KEEP SPACE CLEAR FOR ACCESS
550mm (L) x 450mm (W) x 300mm (H)

TYPE A COIL TAILS (AS STANDARD)

TYPE B COIL TAILS (ON REQUEST)

SPIGOT



ISO VIEW (1 : 12)

| DIMENSIONS IN MILLIMETRES | | TOLERANCES:- X ±0.5 X.X ±0.2 X.XX ±0.1 | | | | ANGULAR DIMENSIONS ±1.0° | | UNLESS OTHERWISE SPECIFIED | | | |
|-----------------------------|------------|--|-----|------------|-----------|--------------------------|------|---|--|---------------------|--|
| ISSUE | 29/01/2024 | CHK'D | MJW | 18437 | APVD DATE | 31/01/2024 | APVD | SRA | | | |
| DRAWN DT | | DATE 04/01/2024 | | SHT 1 of 1 | | STATUS Dev. WIP | | TITLE | | | |
| MATERIAL | | | | | | | | NVHRe + 1100 Spigot GENERAL ASSEMBLY | | | |
| FINISH | | | | | | | | STOCK REF No | | NVHRe + 1100 Spigot | |
| PRODUCT NVHRe + 1100 Spigot | | SCALE 1 : 10 U.O.S | | DRG No | | 413422 | | ISSUE | | A | |
| A2 | | PROJECTION | | | | | | | | | |