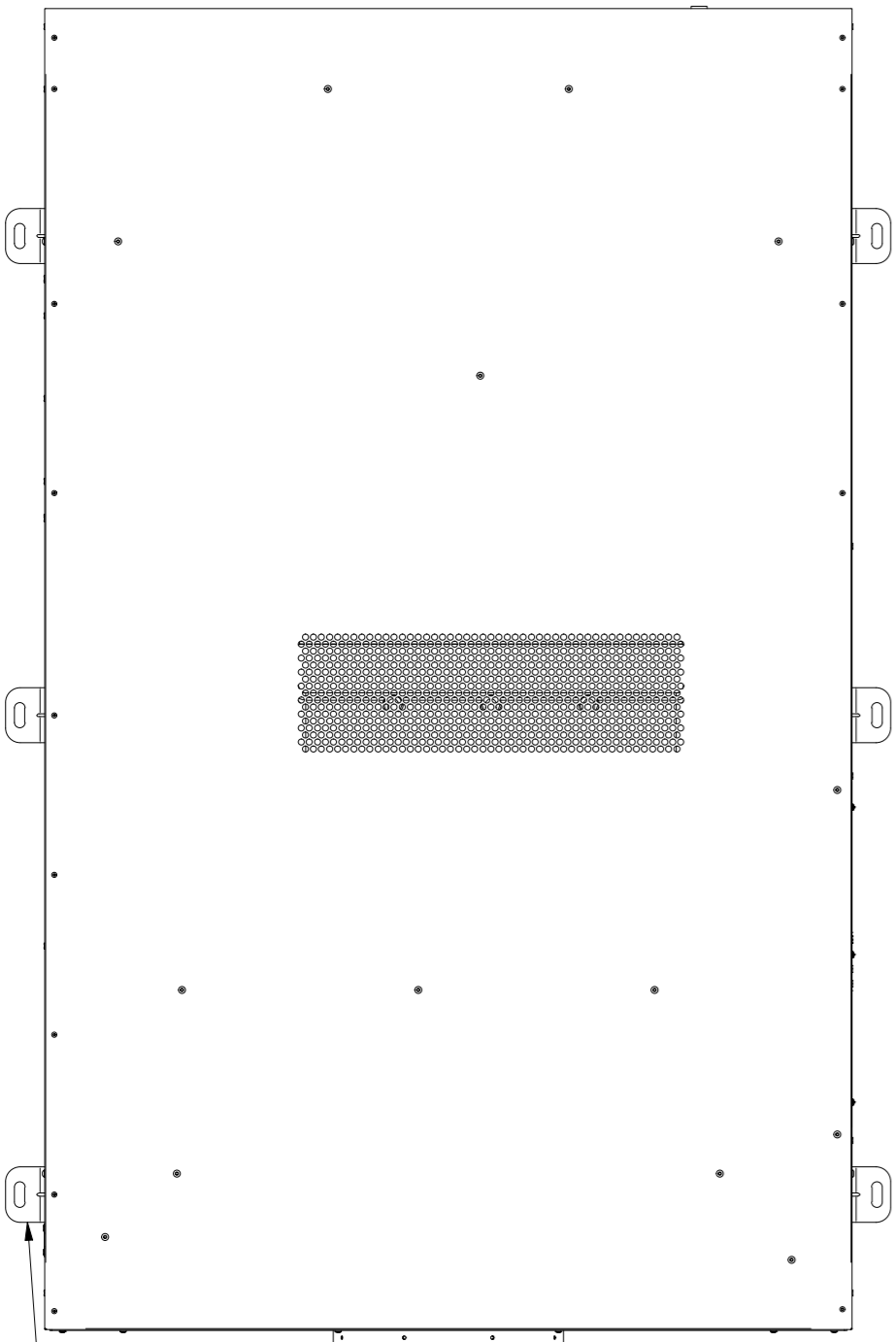


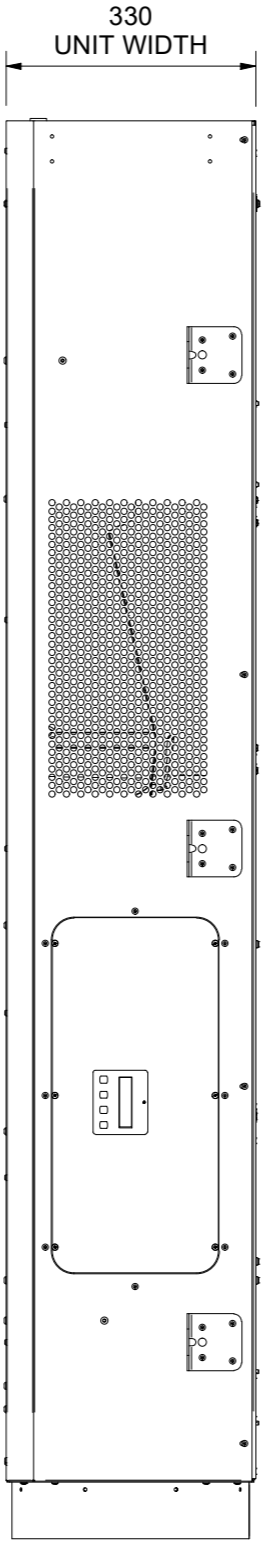
HEAT RECOVERY CONDENSATE DRAIN OUTLET
(Ø21.5 PLASTIC PIPE)

BOTTOM VIEW

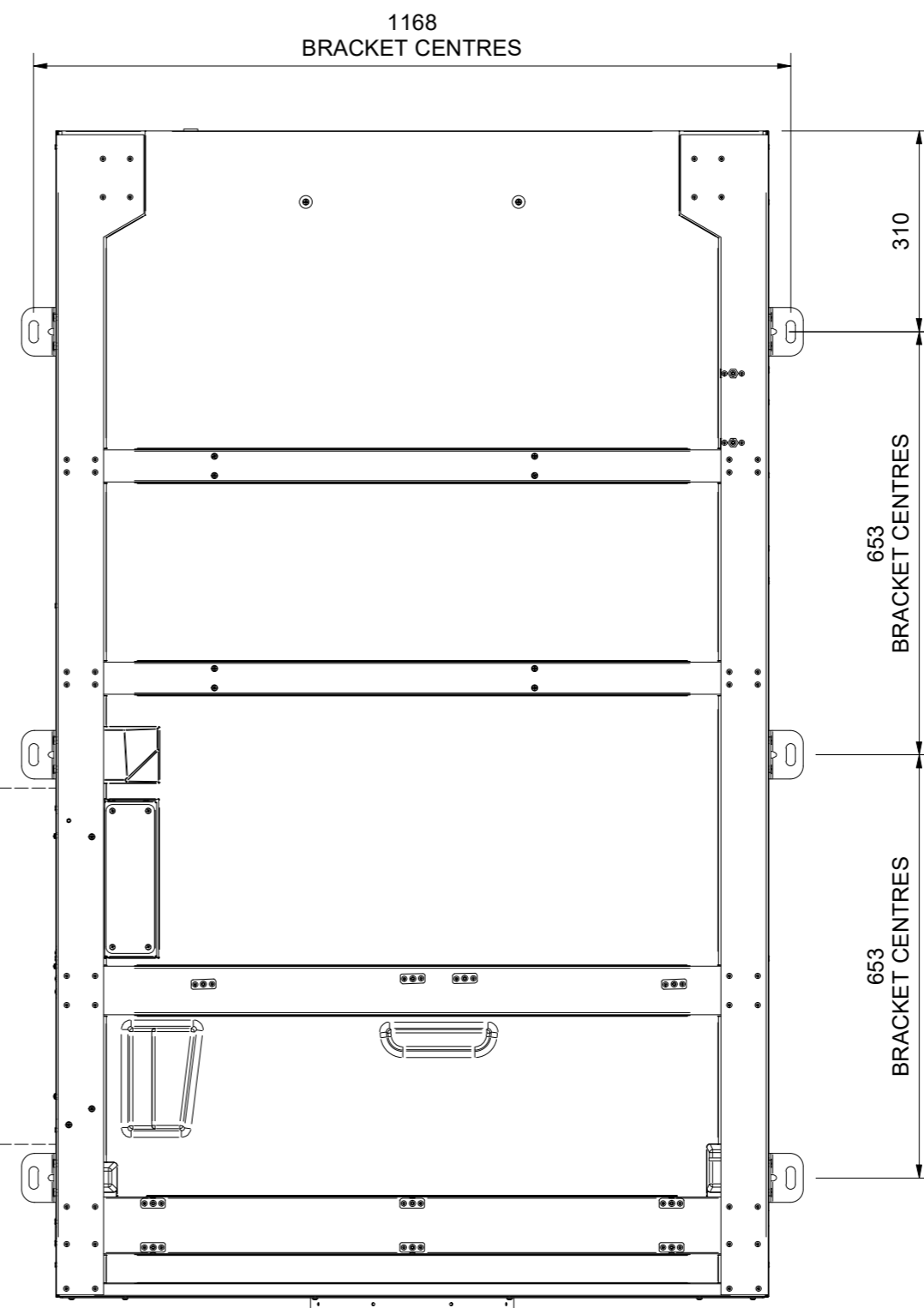


6x MOUNTING BRACKETS

SIDE VIEW



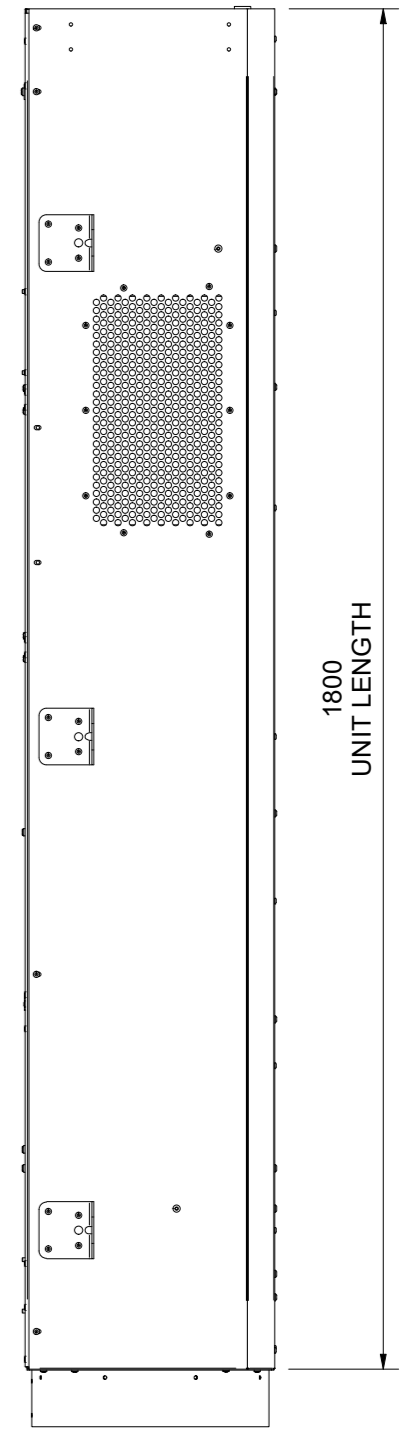
TOP VIEW



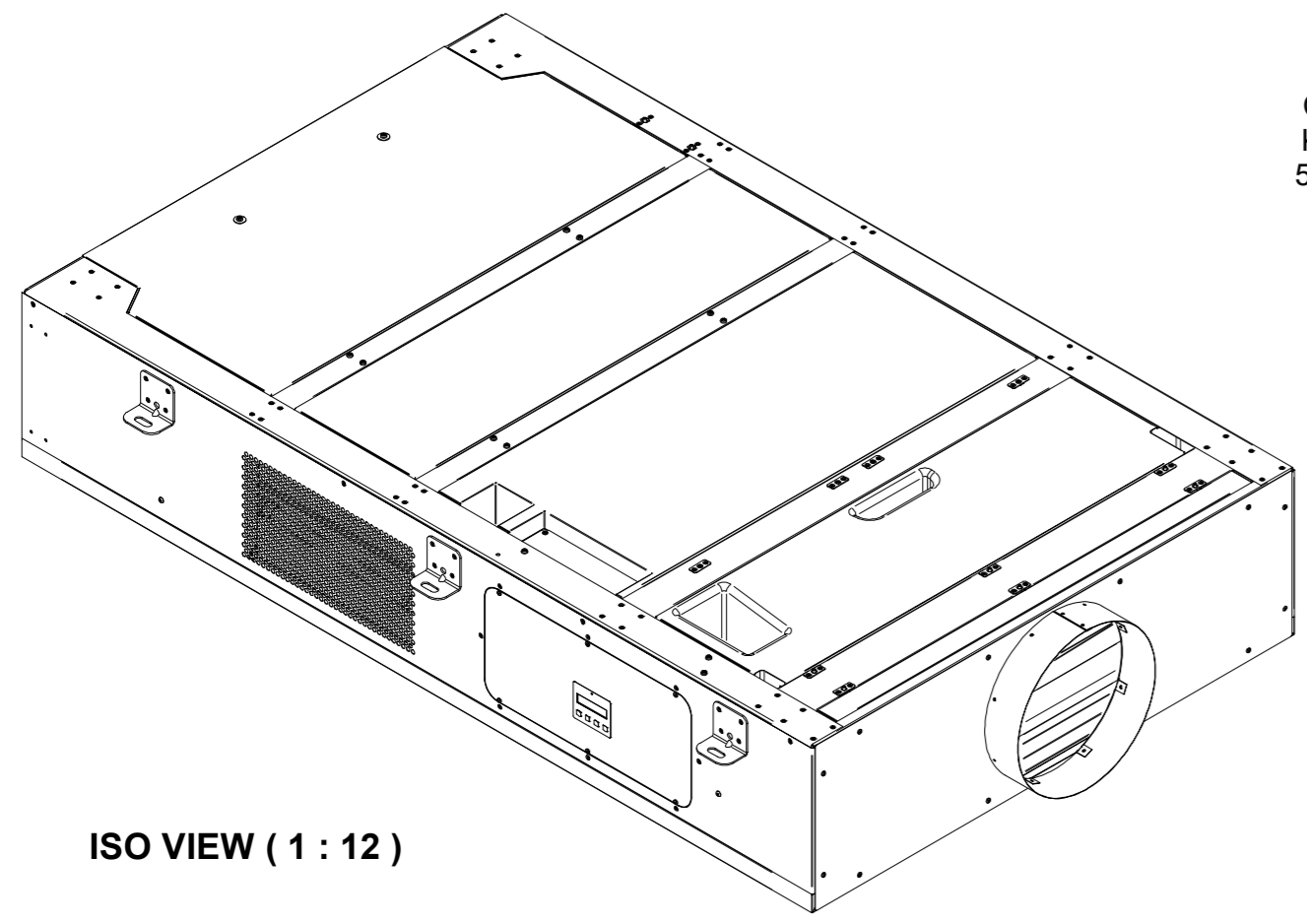
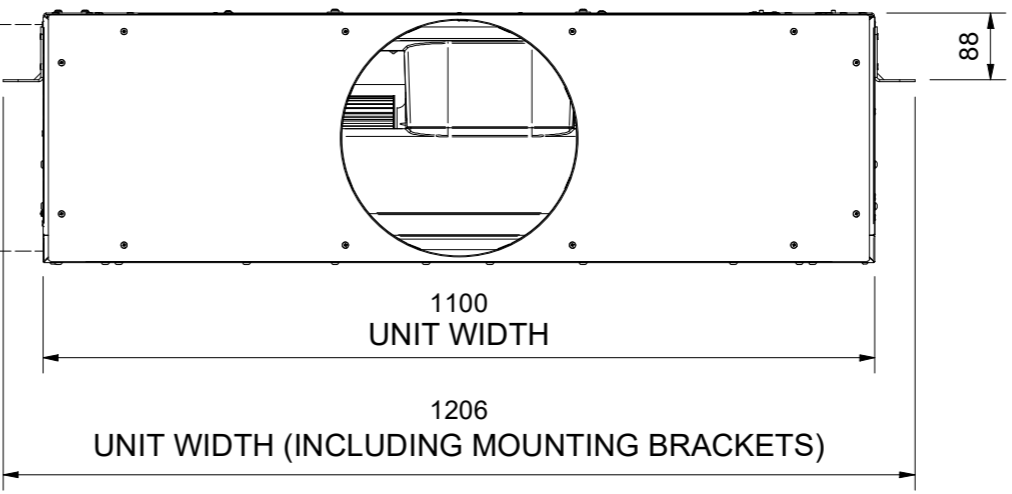
SPIGOT

Ø315

SIDE VIEW



CONTROL BOX SPACE ENVELOPE
KEEP SPACE CLEAR FOR ACCESS
550mm (L) x 450mm (W) x 300mm (H)



ISO VIEW (1 : 12)

DIMENSIONS IN MILLIMETRES TOLERANCES:- X ±0.5 X.X ±0.2 X.XX ±0.1 ANGULAR DIMENSIONS ±1.0° UNLESS OTHERWISE SPECIFIED						A	29/01/2024	MJW	18437	31/01/2024	SRA	
						ISSUE	CHK'D DATE	CHK'D	ECO No	APVD DATE	APVD	
© VOLUTION VENTILATION UK LIMITED (trading as Breathing Buildings) 2024 No part of this work may be reproduced, distributed, stored in a retrieval system of any nature, or transmitted, in any form or by any means including photocopying, without the prior written permission of Volution Ventilation UK Limited (company number 11352032), the copyright owner. Licences issued by the Copyright Licensing Agency or any other reproduction rights organisation do not apply. Volution Ventilation UK Limited reserves the right to change the work without prior consent. All rights reserved.						DRAWN DT			DATE 08/01/2024		SHT 1 of 1 STATUS	
						MATERIAL			TITLE NVHRe 1100 Spigot GENERAL ASSEMBLY			
						FINISH			SCALE 1 : 10 U.O.S			
						PRODUCT NVHRe 1100 Spigot			STOCK REF No NVHRe 1100 Spigot			
						A2 PROJECTION			DRG No 413420		ISSUE A	

