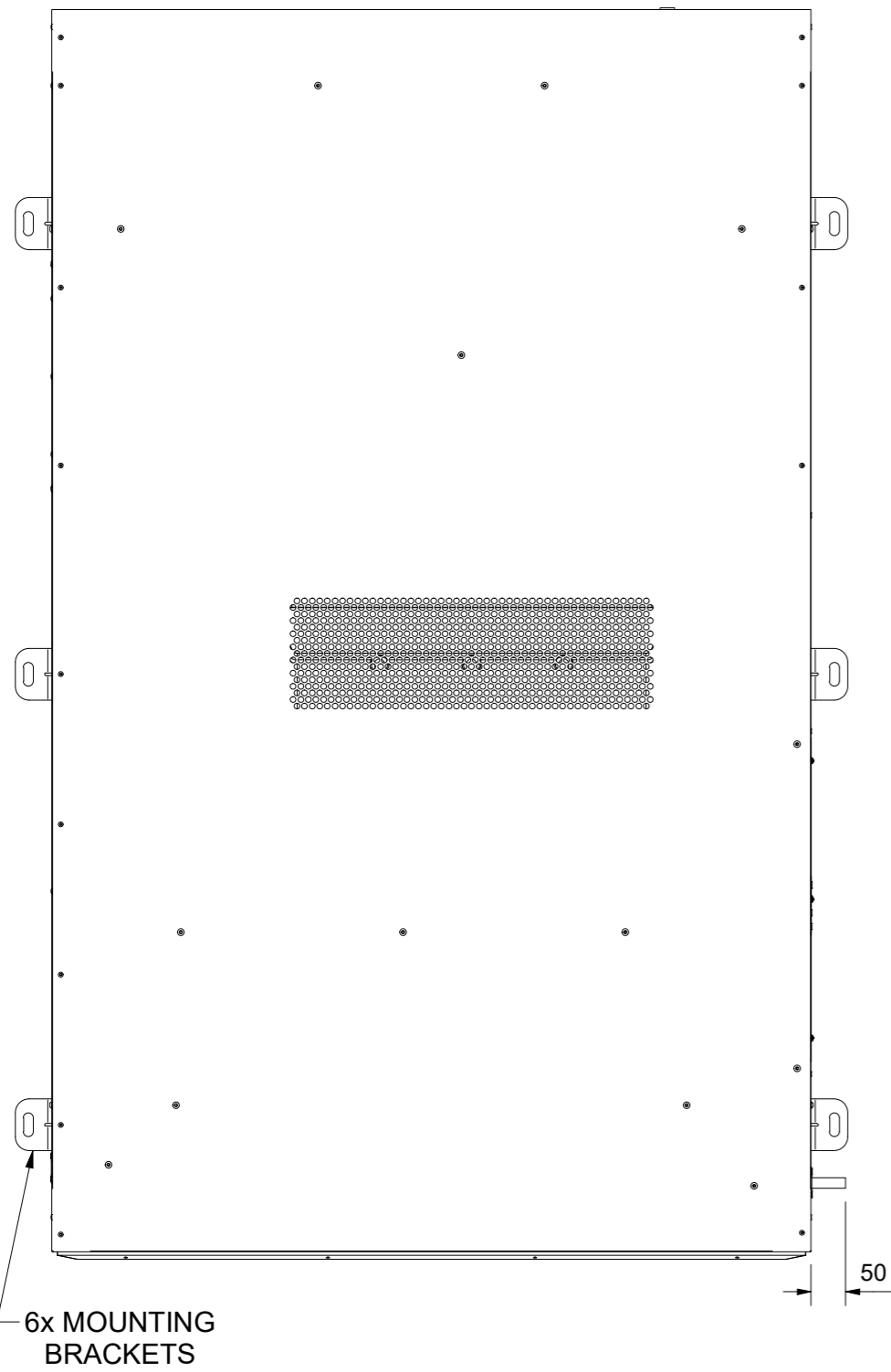
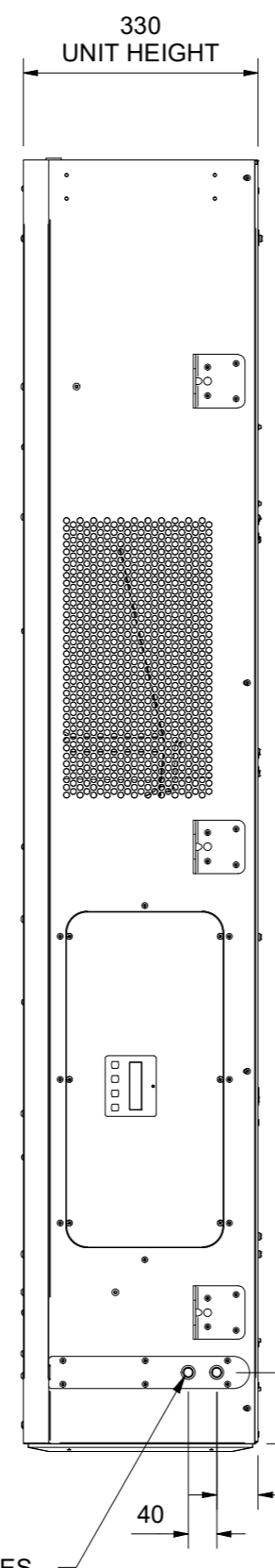


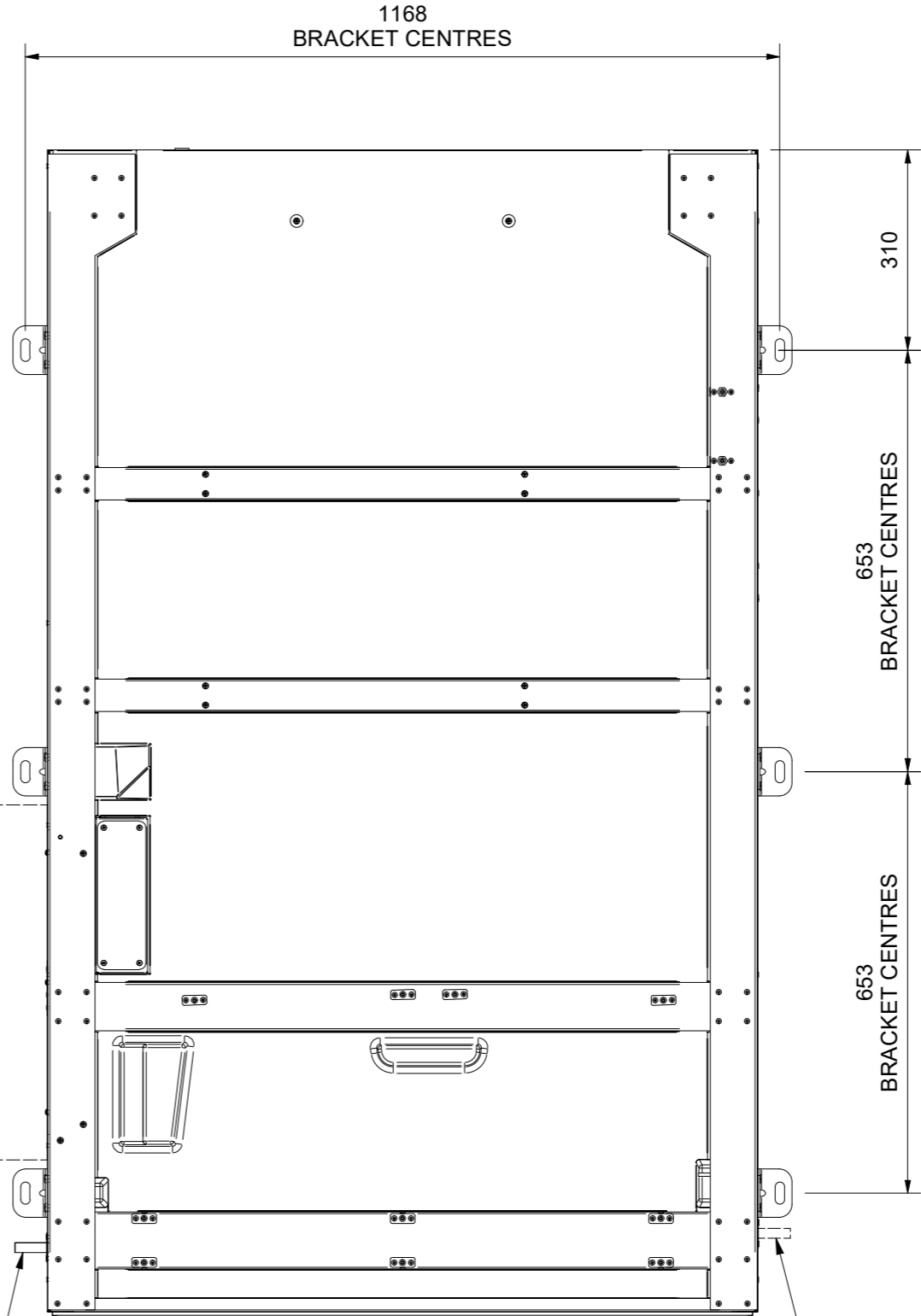
**BOTTOM VIEW**



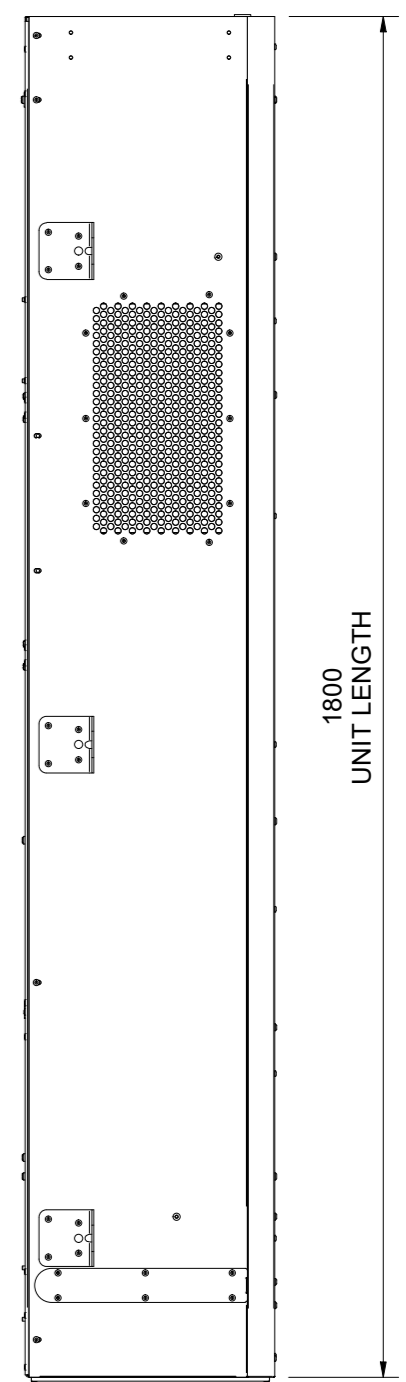
**SIDE VIEW**



**TOP VIEW**



**SIDE VIEW**



2 X Ø15 COPPER PIPES FOR WATER CONNECTION

CONTROL BOX SPACE ENVELOPE  
KEEP SPACE CLEAR FOR ACCESS  
550mm (L) x 450mm (W) x 300mm (H)

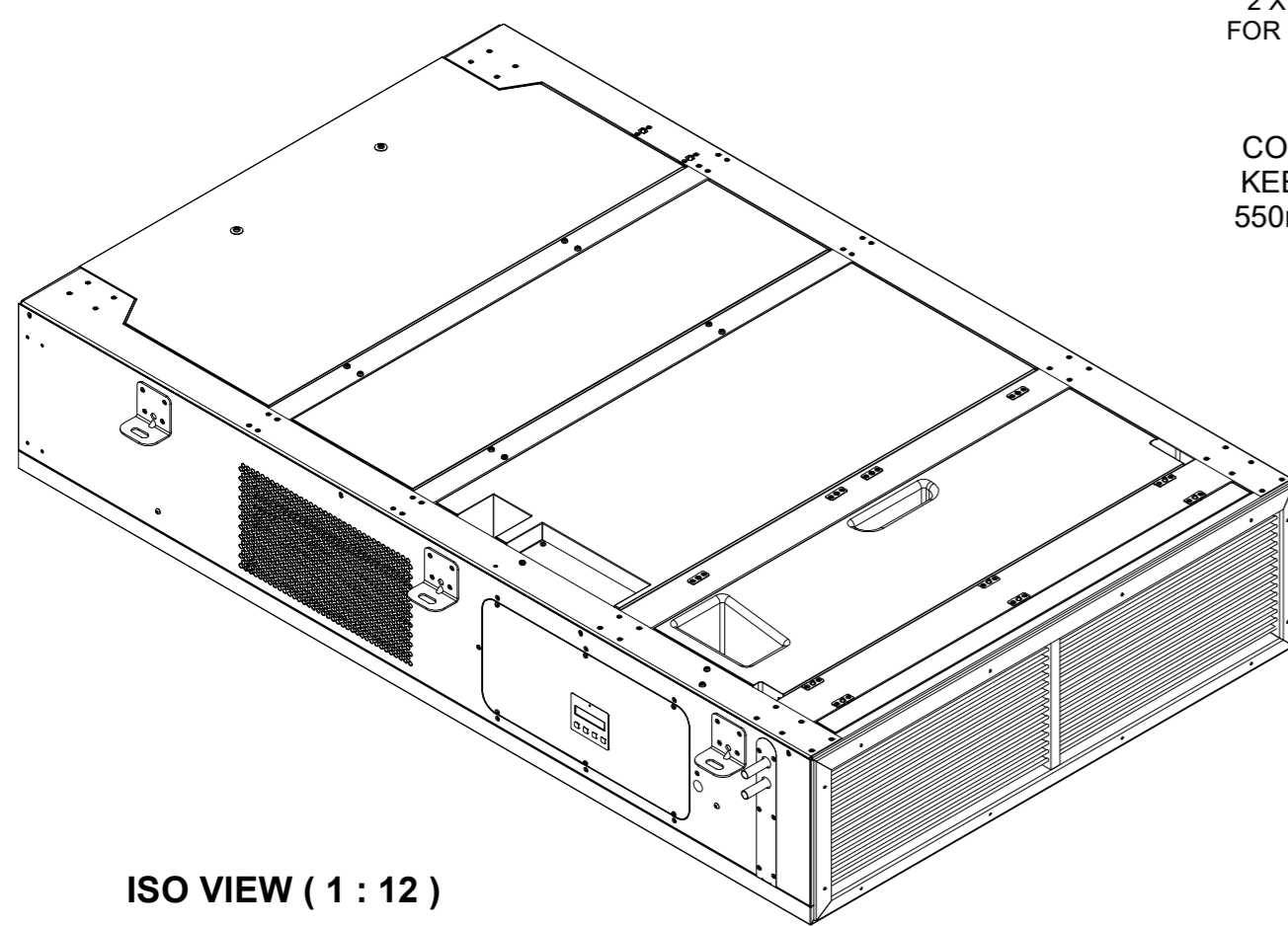
TYPE A COIL TAILS (AS STANDARD)

MIXED AIR DELIVERY GRILLE

TYPE B COIL TAILS (ON REQUEST)

1100  
UNIT WIDTH

1206  
UNIT WIDTH (INCLUDING MOUNTING BRACKETS)



**ISO VIEW ( 1 : 12 )**

DIMENSIONS IN MILLIMETRES		TOLERANCES:- X ±0.5 X.X ±0.2 X.XX ±0.1		ANGULAR DIMENSIONS ±1.0°		UNLESS OTHERWISE SPECIFIED		A	29/01/2024	MJW	18437	31/01/2024	SRA
DRAWN DT		DATE 04/01/2024		SHT 1 of 1		STATUS		ISSUE	CHK'D DATE	CHK'D	ECO No	APVD DATE	APVD
MATERIAL		FINISH		PRODUCT NVHRe + 1100 Grille		SCALE 1 : 10 U.O.S		TITLE NVHRe + 1100 Grille		STOCK REF No NVHRe + 1100 Grille		APVD	
© VOLUTION VENTILATION UK LIMITED (trading as Breathing Buildings) 2024 No part of this work may be reproduced, distributed, stored in a retrieval system of any nature, or transmitted, in any form or by any means including photocopying, without the prior written permission of Volution Ventilation UK Limited (company number 11352032), the copyright owner. Licences issued by the Copyright Licensing Agency or any other reproduction rights organisation do not apply. Volution Ventilation UK Limited reserves the right to change the work without prior consent. All rights reserved.		Breathing Buildings		A2		PROJECTION		DRG No 413421		ISSUE A			