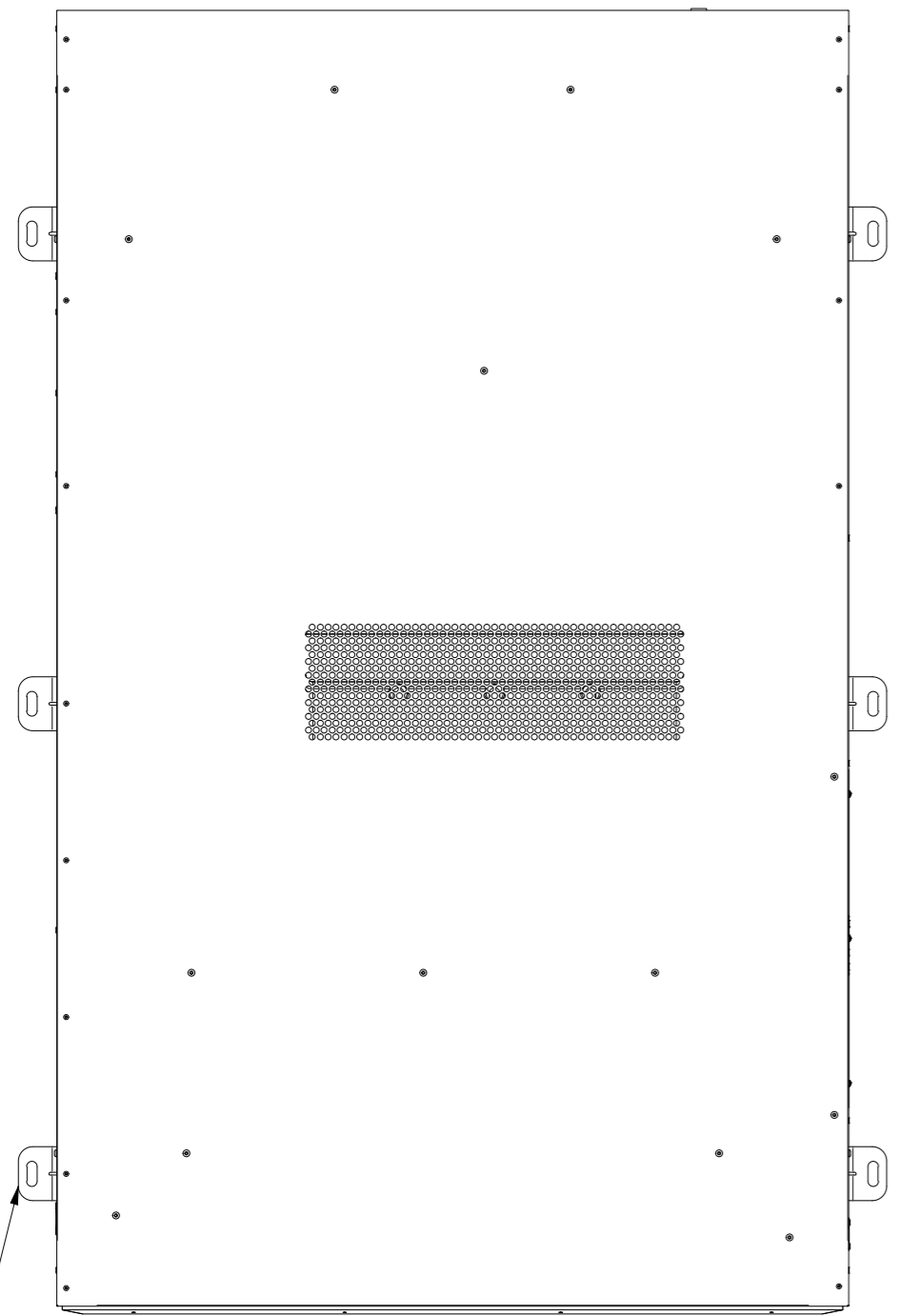


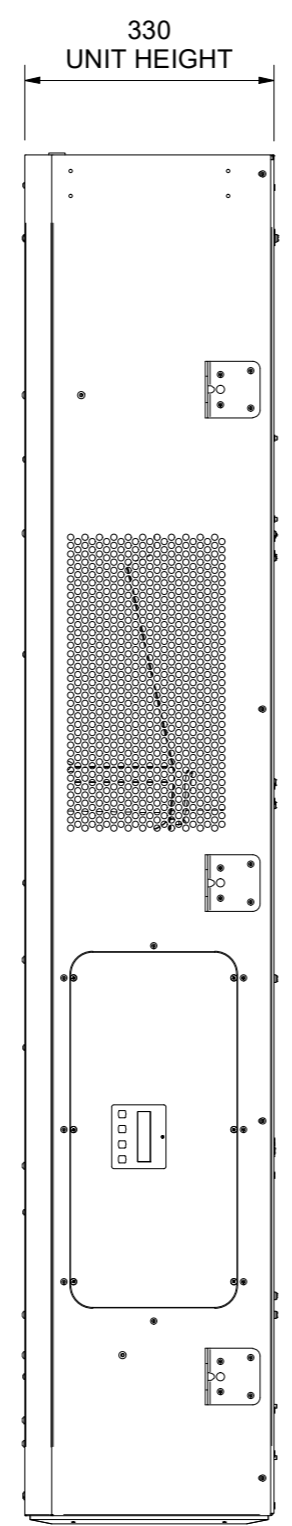
HEAT RECOVERY CONDENSATE DRAIN OUTLET
(Ø21.5 PLASTIC PIPE)

BOTTOM VIEW

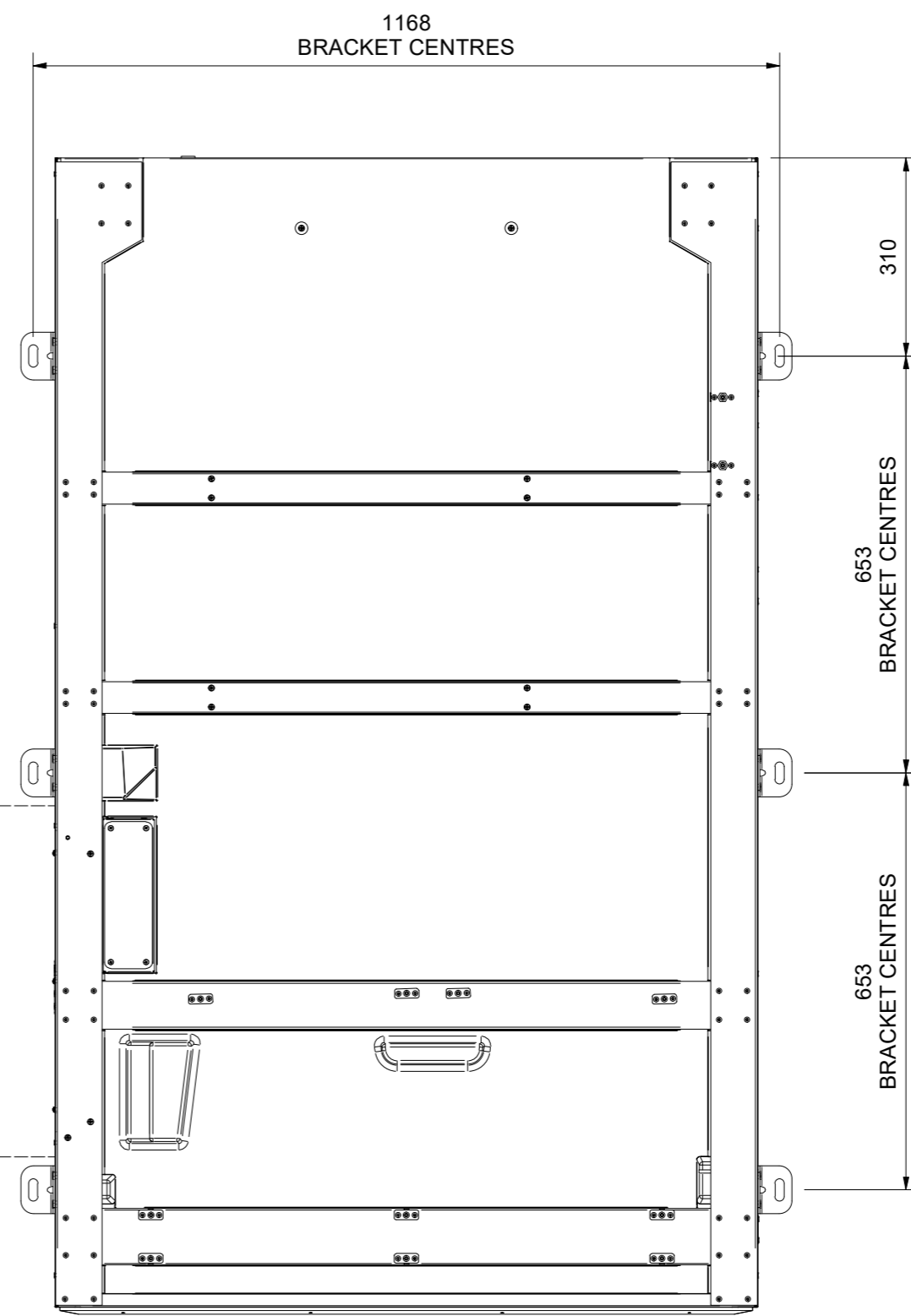


6x MOUNTING BRACKETS

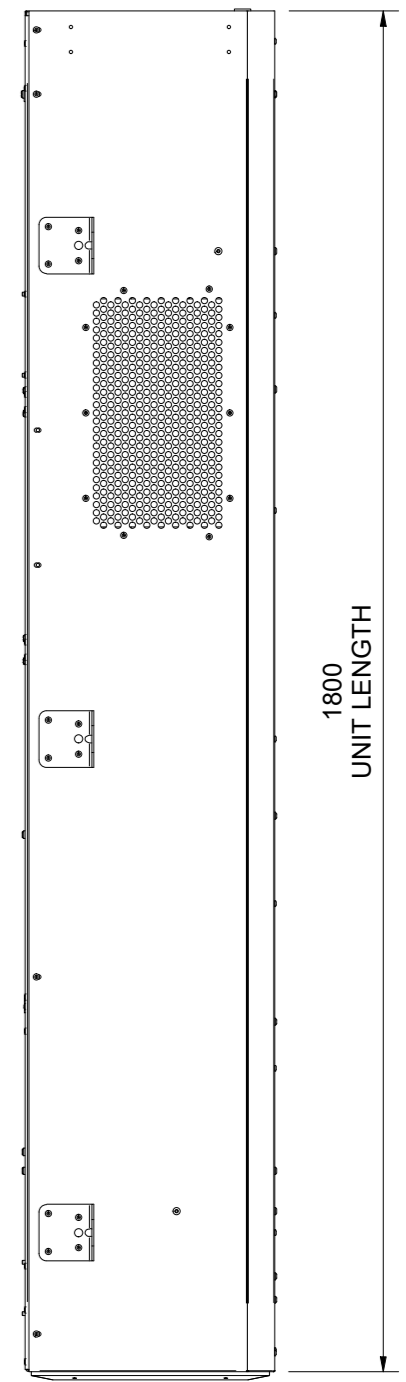
SIDE VIEW



TOP VIEW

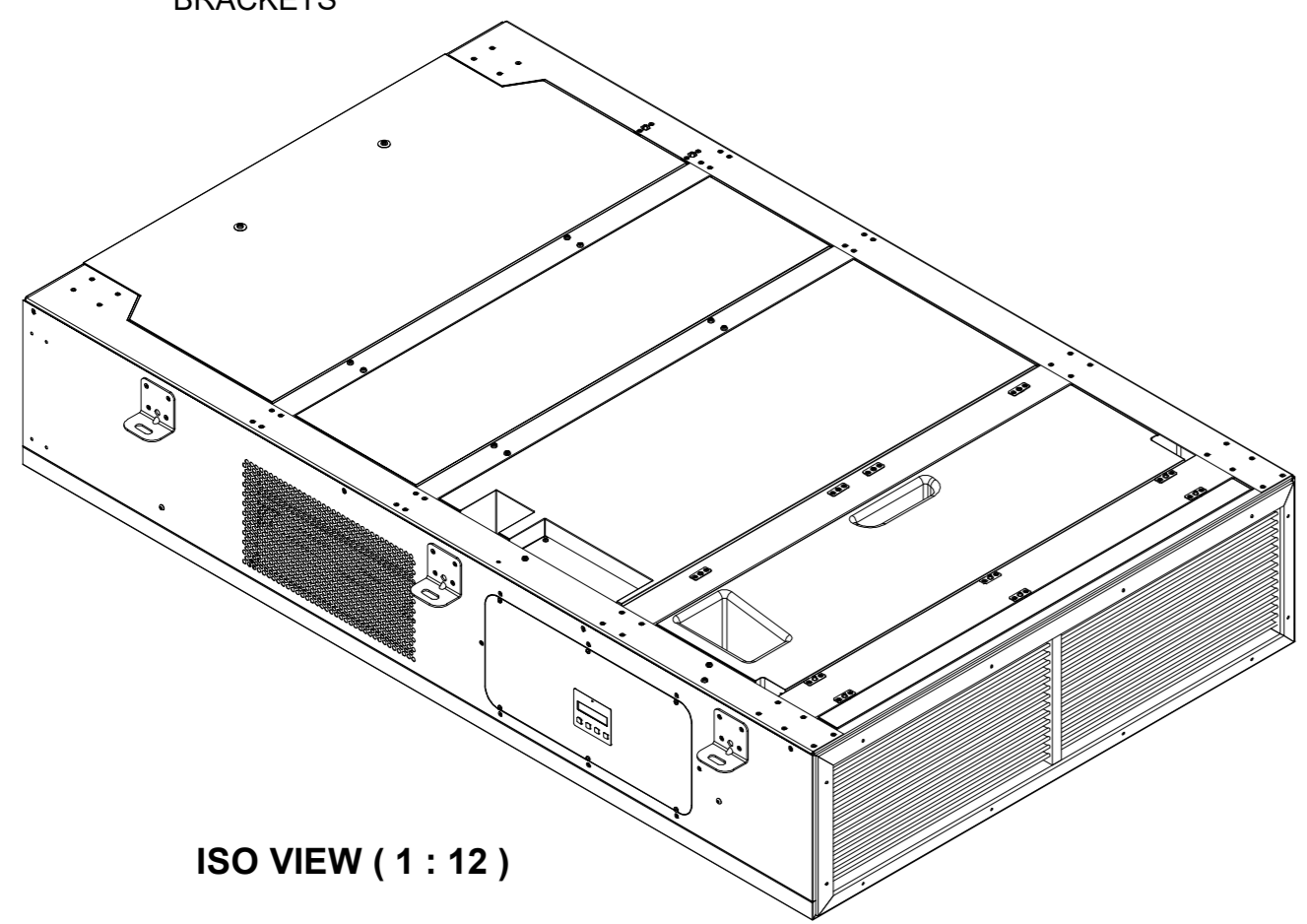
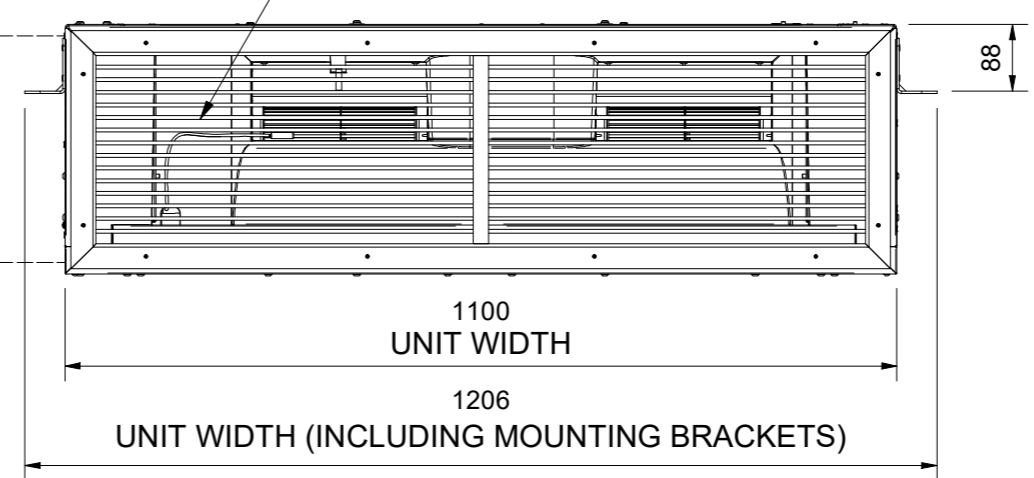


SIDE VIEW



CONTROL BOX SPACE ENVELOPE
KEEP SPACE CLEAR FOR ACCESS
550mm (L) x 450mm (W) x 300mm (H)

MIXED AIR DELIVERY GRILLE



ISO VIEW (1 : 12)

DIMENSIONS IN MILLIMETRES		TOLERANCES:- X ±0.5 X.X ±0.2 X.XX ±0.1		ANGULAR DIMENSIONS ±1.0°		UNLESS OTHERWISE SPECIFIED		A	29/01/2024	MJW	18437	31/01/2024	SRA		
DRAWN DT		DATE 04/01/2024		SHT 1 of 1		STATUS		ISSUE	CHK'D DATE	CHK'D	ECO No	APV'D DATE	APV'D		
MATERIAL								TITLE NVHRe 1100 Grille GENERAL ASSEMBLY							
FINISH								STOCK REF No NVHRe 1100 - Grille							
PRODUCT NVHRe 1100 Grille								SCALE 1 : 10 U.O.S		DRG No 413419					
								A2		PROJECTION				ISSUE A	