

DO NOT SCALE

IF IN DOUBT, ASK!

REVISIONS		
REV.	DESCRIPTION	DATE
0	FIRST ISSUE	10/11/22
1	UNIT WEIGHT UPDATED	05/09/24

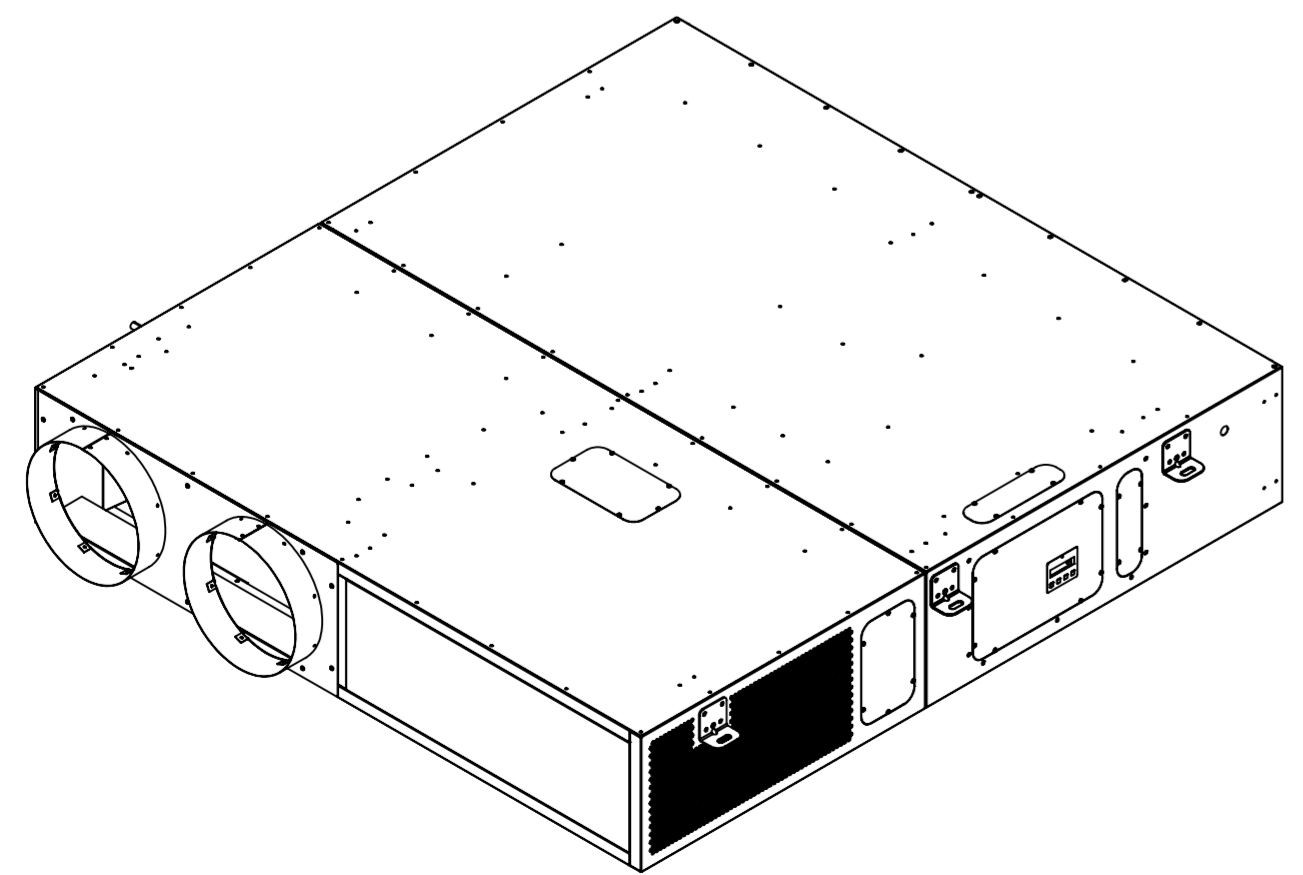
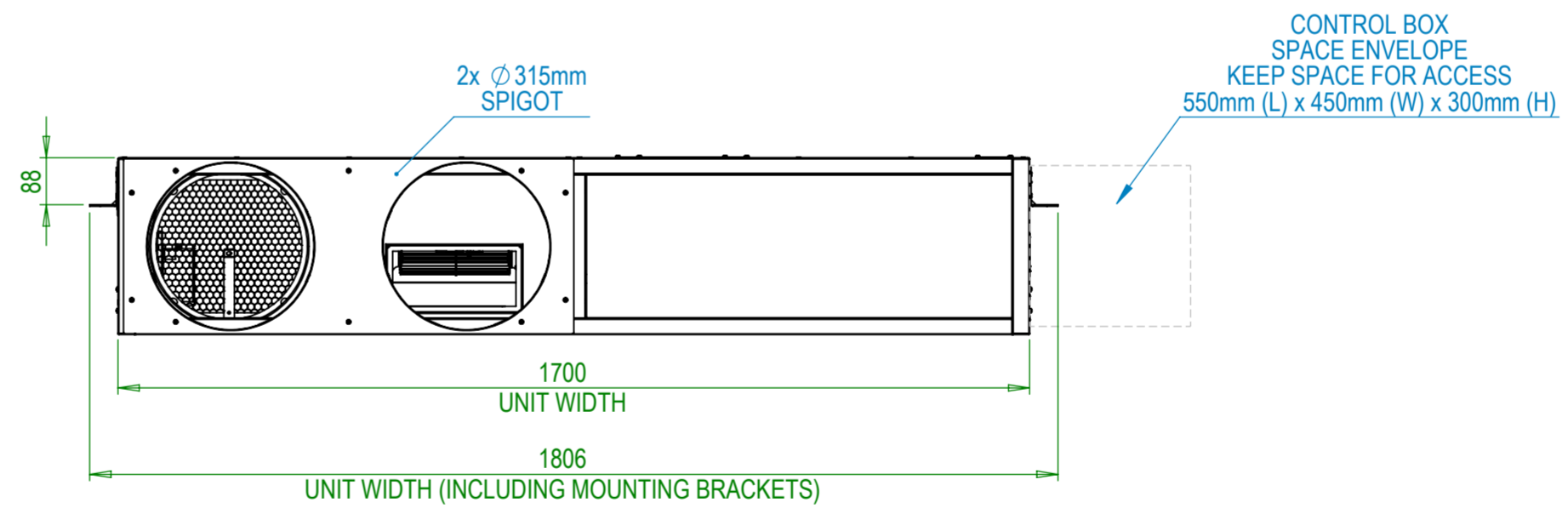
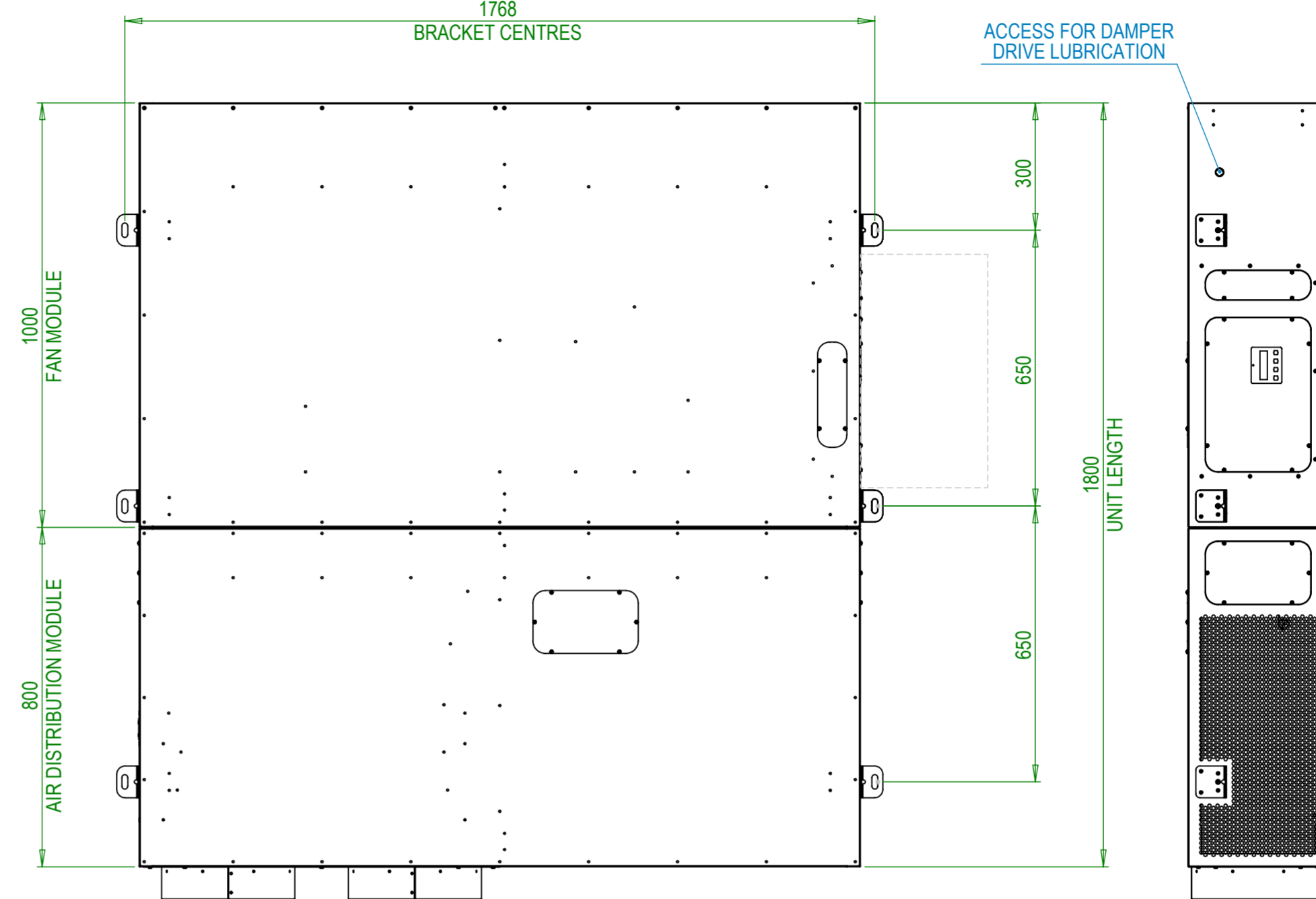
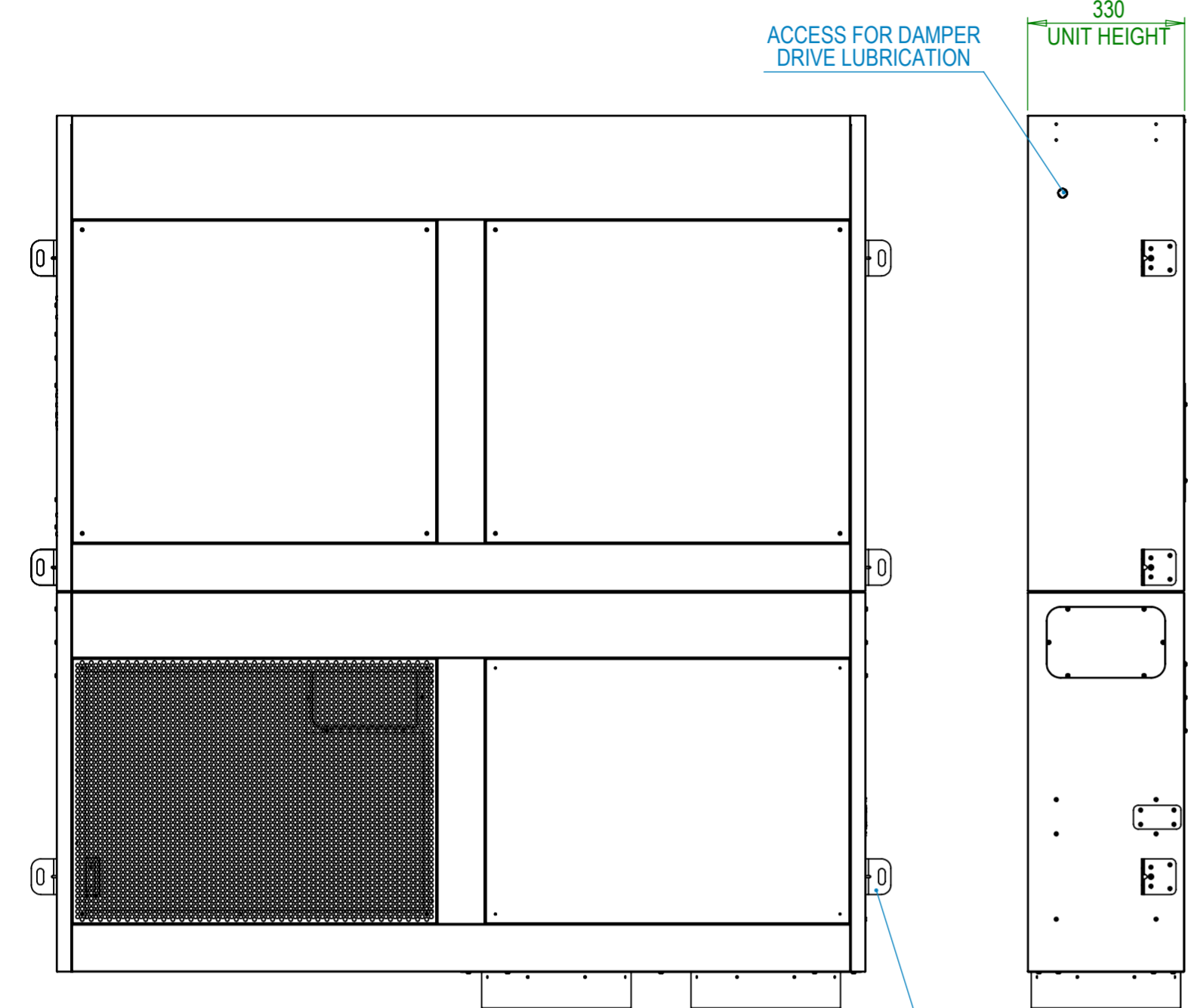
BOTTOM VIEW

SIDE VIEW

TOP VIEW

SIDE VIEW

A  
B  
C  
D  
E  
F  
G  
H



ISO VIEW  
1:15

MATERIAL:  
GALVANIZED STEEL

FINISH  
POWDER COATED RAL 9003 SIGNAL WHITE

MASS WITHOUT PACKAGING  
120kg

TOLERANCES EXCEPT WHERE OTHERWISE STATED			
SIZE (mm)	X XX	TOLERANCE	
over 0.5	up to 6	±0.1	±0.01
over 6	up to 100	±0.2	
over 100	up to 500	±0.5	
over 500	up to 1000	±0.8	
over 1000		±1.2	

DE-BURR ALL SHARP EDGES AND HOLES ITEM MUST BE FREE FROM SCRATCHES, DENTS AND OTHER BLEMISHES.

DIMENSIONS IN MILLIMETRES



TITLE:  
NVHR 1700 SPIGOT -  
GENERAL ASSEMBLY DRAWING

DRAWING NO:  
NVHR 1700 - SPIGOT

REV	DRAWN	DATE	CHK'D	DATE
1	MJW	10/11/2022	Not chkd	N/A

SCALE 1:12 A2 SHEET 1 OF 1



BREATHING BUILDINGS CONTINUOUSLY WORK TO IMPROVE OUR PRODUCTS. TO ENSURE UP TO DATE DRAWINGS, PLEASE CONTACT BREATHING BUILDINGS.