

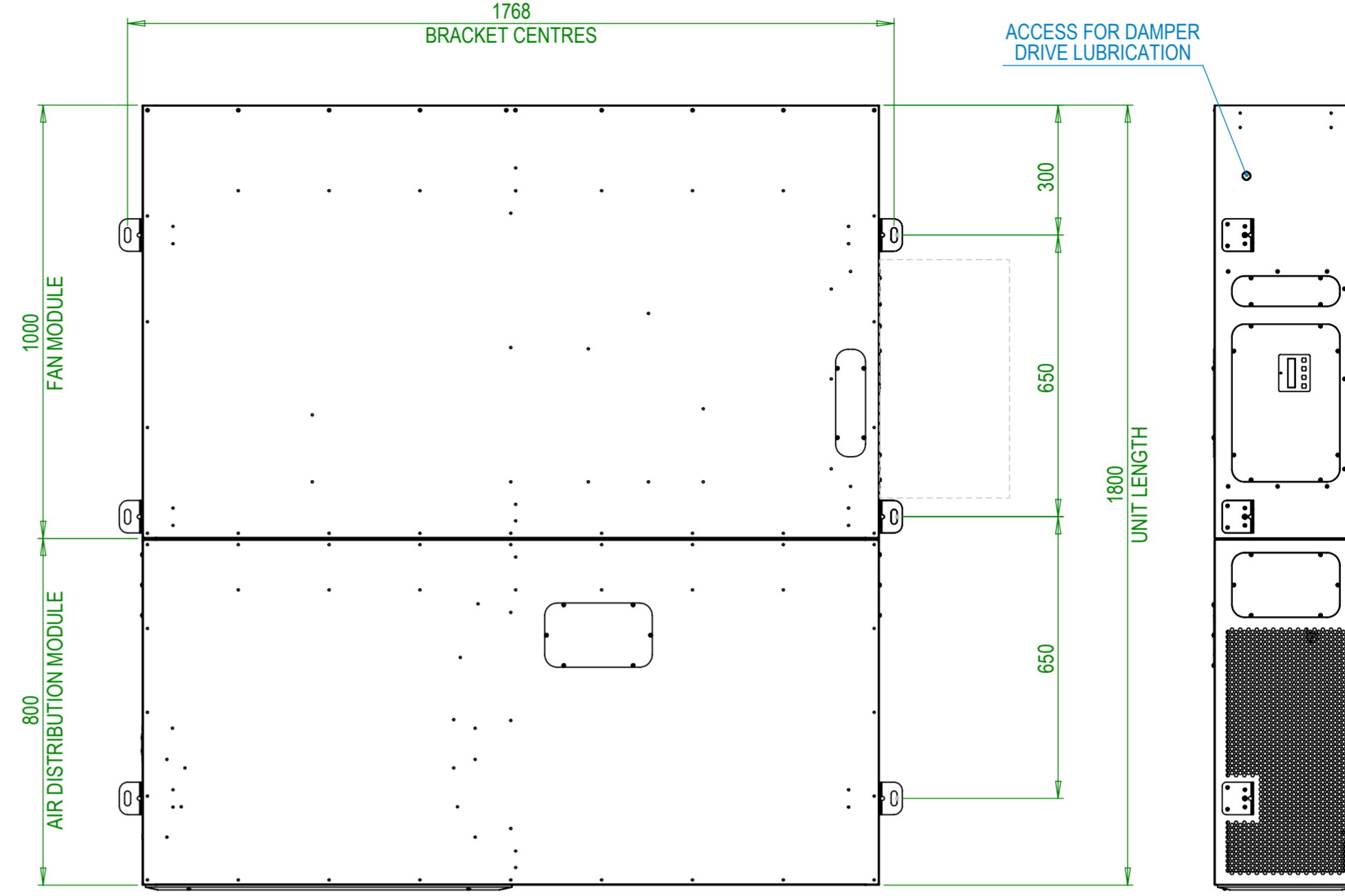
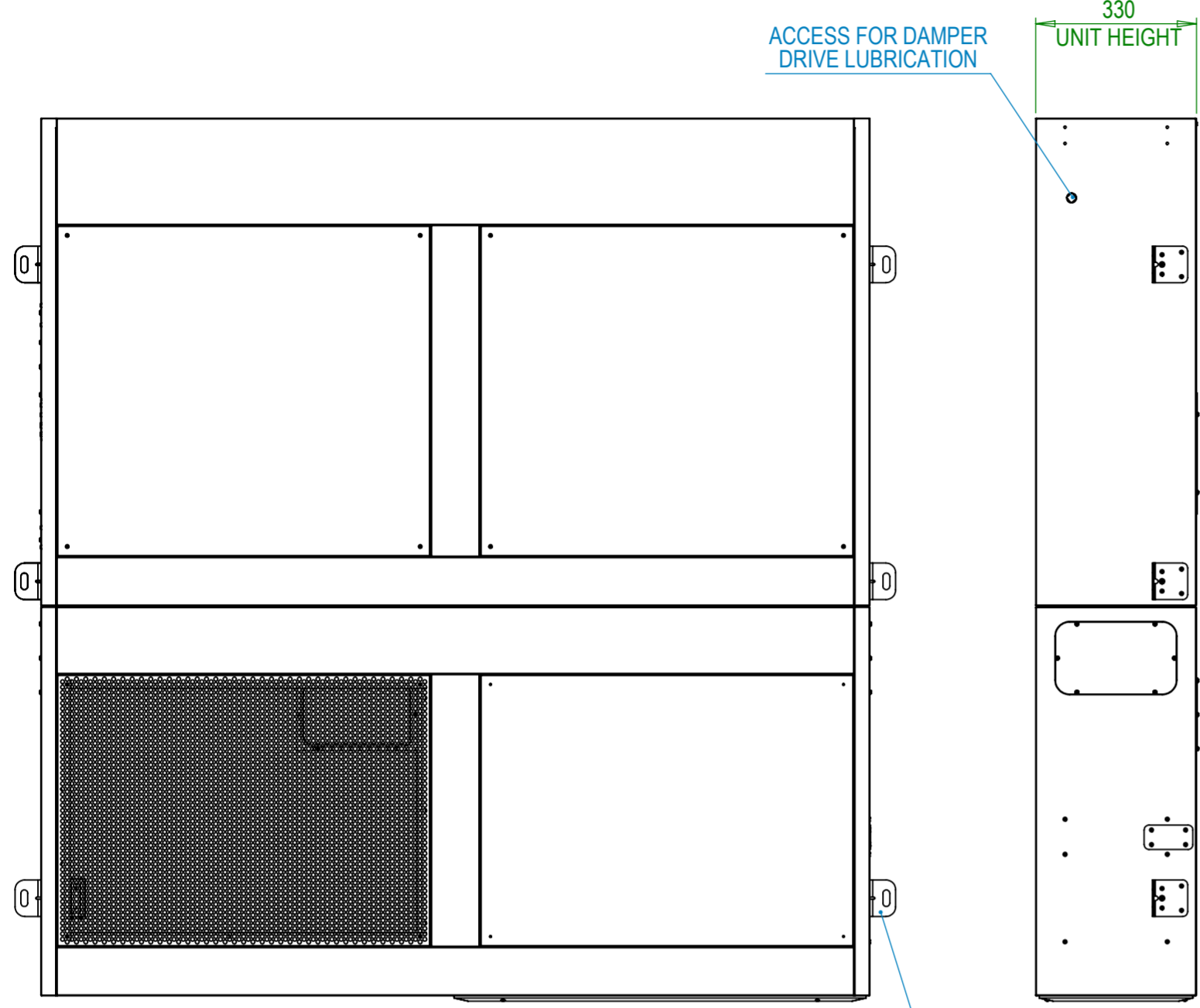
A
B
C
D
E
F
G
H

BOTTOM VIEW

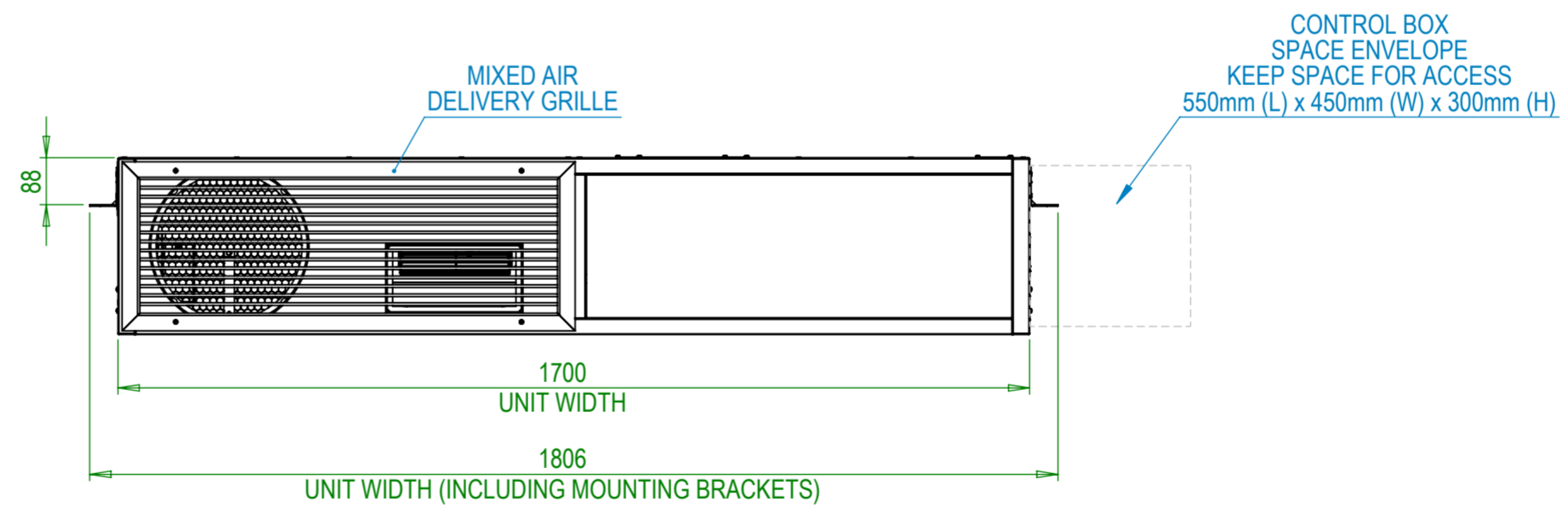
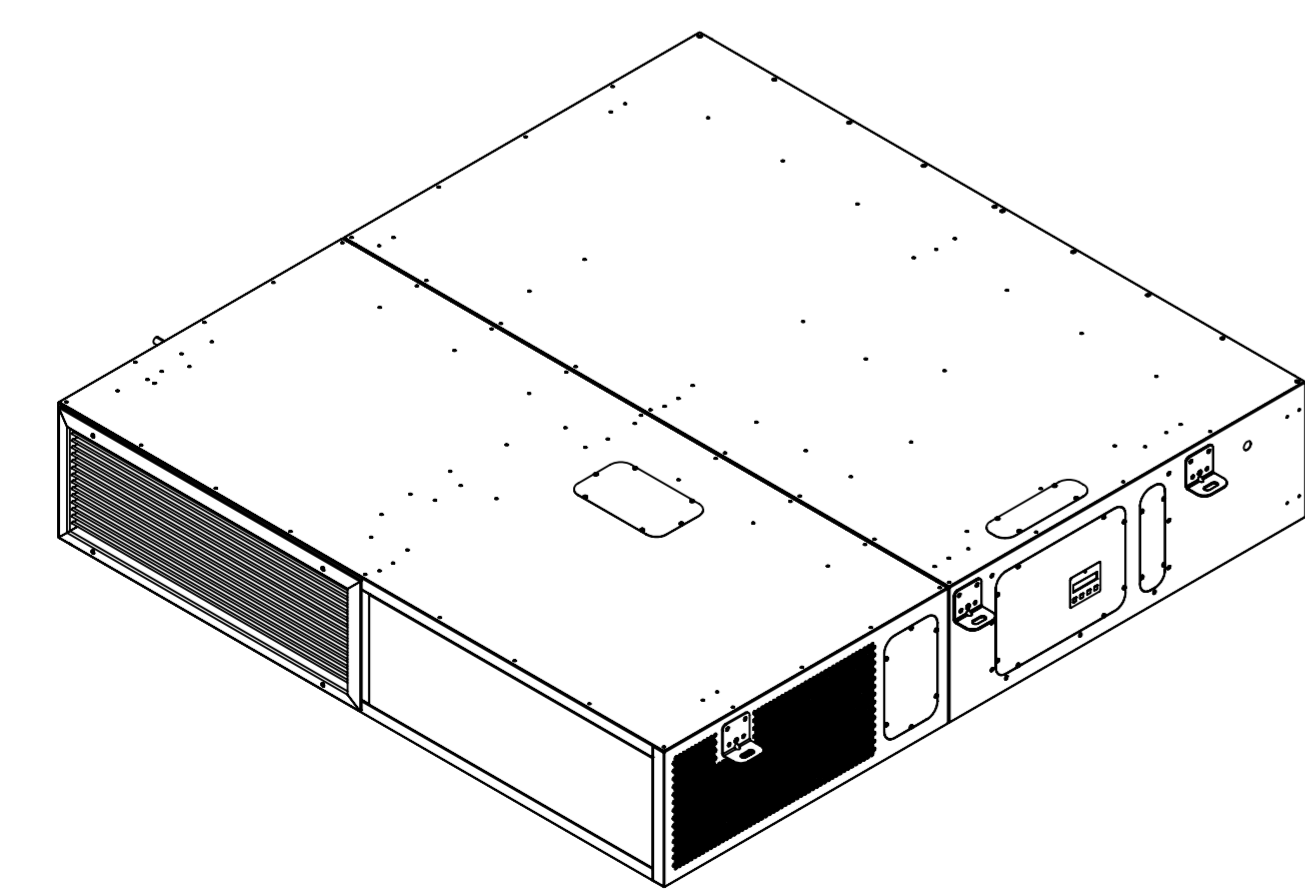
SIDE VIEW

TOP VIEW

SIDE VIEW



6x MOUNTING BRACKETS



ISO VIEW
1:15

DO NOT SCALE

IF IN DOUBT, ASK!

REVISIONS		
REV.	DESCRIPTION	DATE
0	FIRST ISSUE	10/11/22
1	UNIT WEIGHT UPDATED	05/09/24

MATERIAL:
GALVANIZED STEEL

FINISH:
POWDER COATED RAL 9003 SIGNAL WHITE

MASS WITHOUT PACKAGING:
120kg

TOLERANCES EXCEPT WHERE OTHERWISE STATED			
SIZE (mm)	X XX	TOLERANCE	
over 0.5	up to 6	±0.1	±0.01
over 6	up to 100	±0.2	
over 100	up to 500	±0.5	
over 500	up to 1000	±0.8	
over 1000		±1.2	

DE-BURR ALL SHARP EDGES AND HOLES
ITEM MUST BE FREE FROM SCRATCHES, DENTS AND
OTHER BLEMISHES.

DIMENSIONS IN MILLIMETRES

Unit 3a, The Shade, Soham, Cambs, CB7 5HF
T: 01223 450060 F: 01223 450061
www.breathingbuildings.com

TITLE:
NVHR 1700 GRILLED -
GENERAL ASSEMBLY DRAWING

DRAWING NO:
NVHR 1700 - GRILLED

REV	DRAWN	DATE	CHK'D	DATE
1	MJW	10/11/2022	Not chkd	N/A



BREATHING BUILDINGS CONTINUOUSLY WORK TO IMPROVE OUR PRODUCTS. TO ENSURE UP TO DATE DRAWINGS, PLEASE CONTACT BREATHING BUILDINGS.