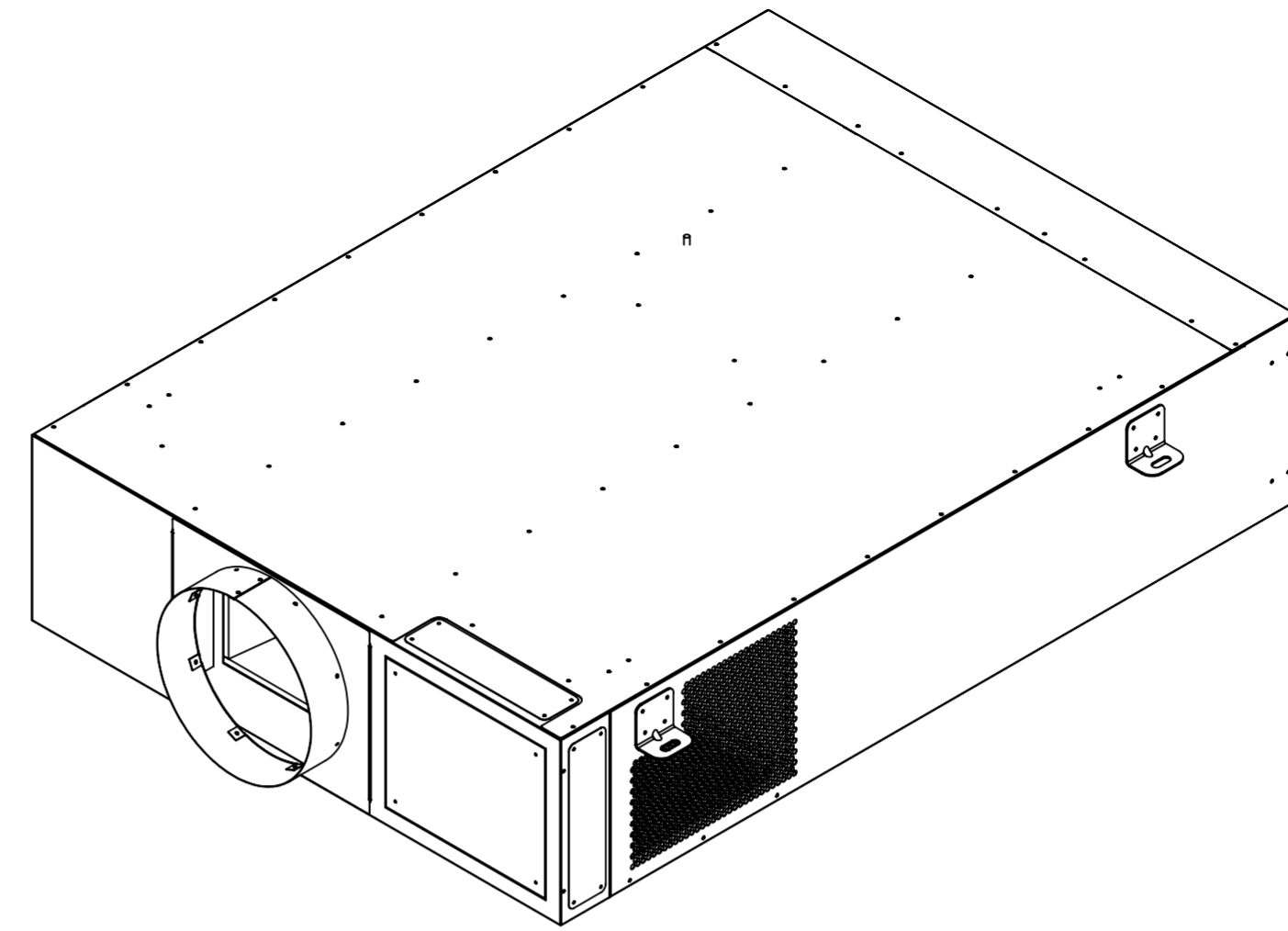
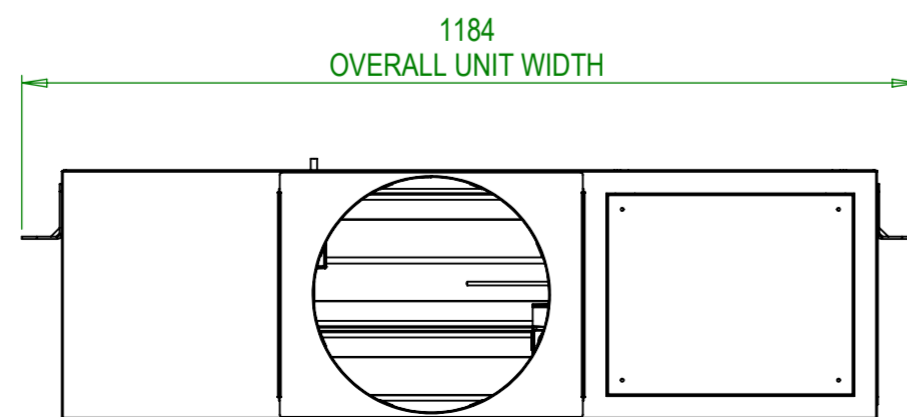
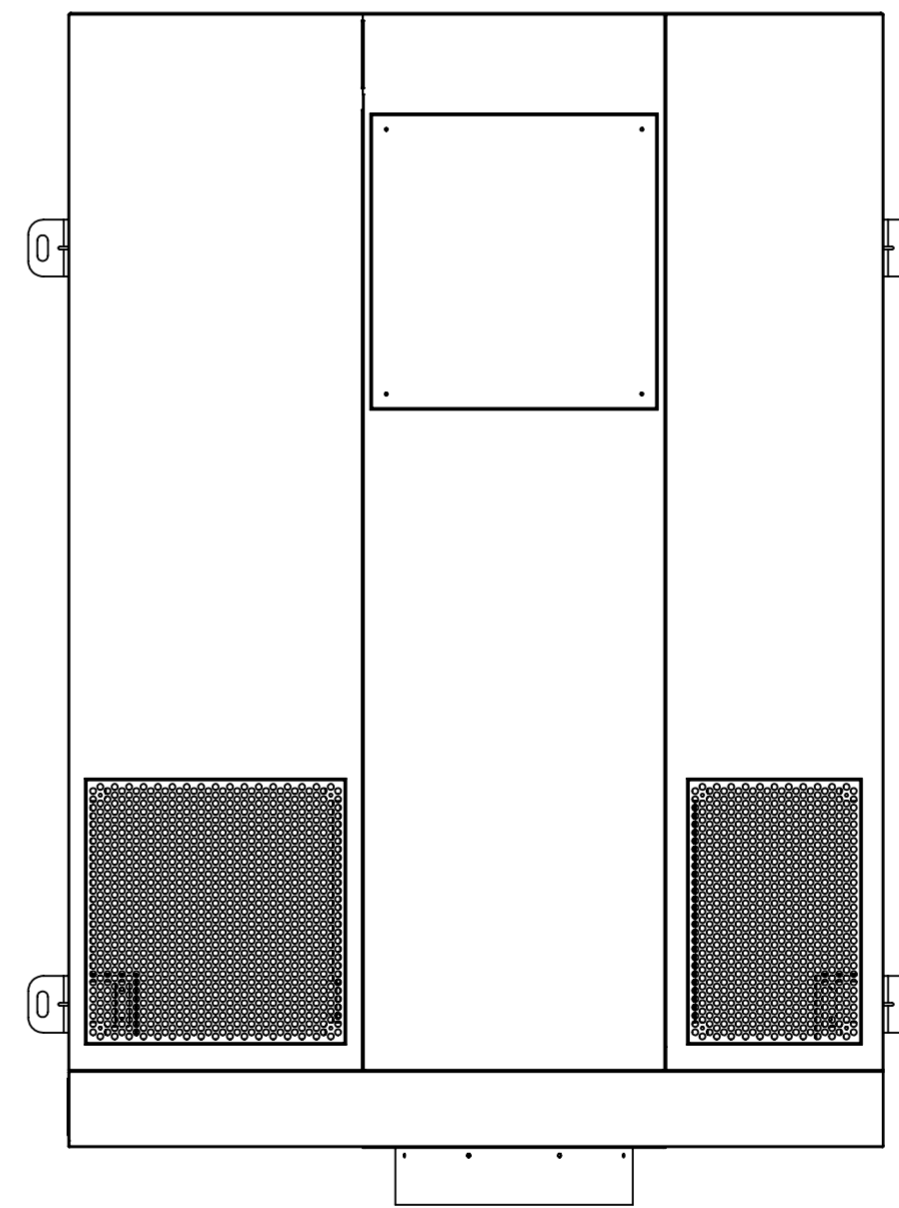
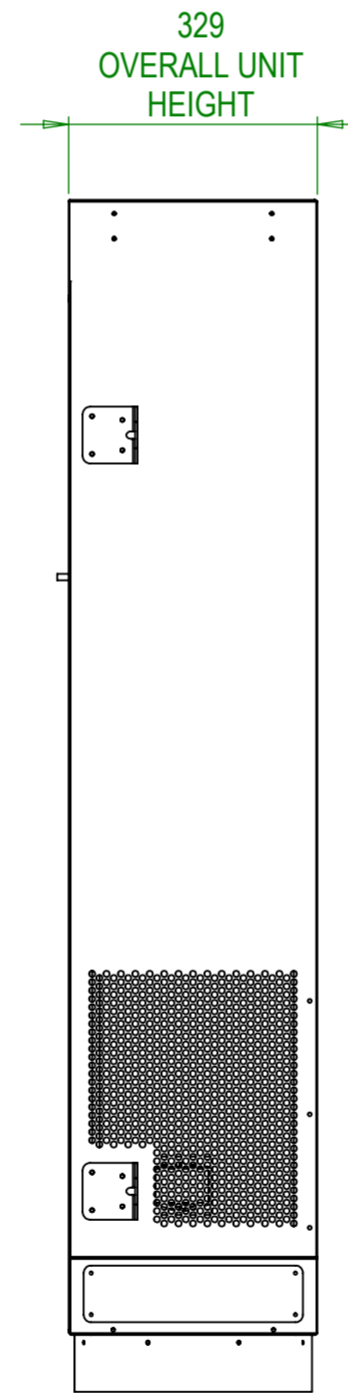
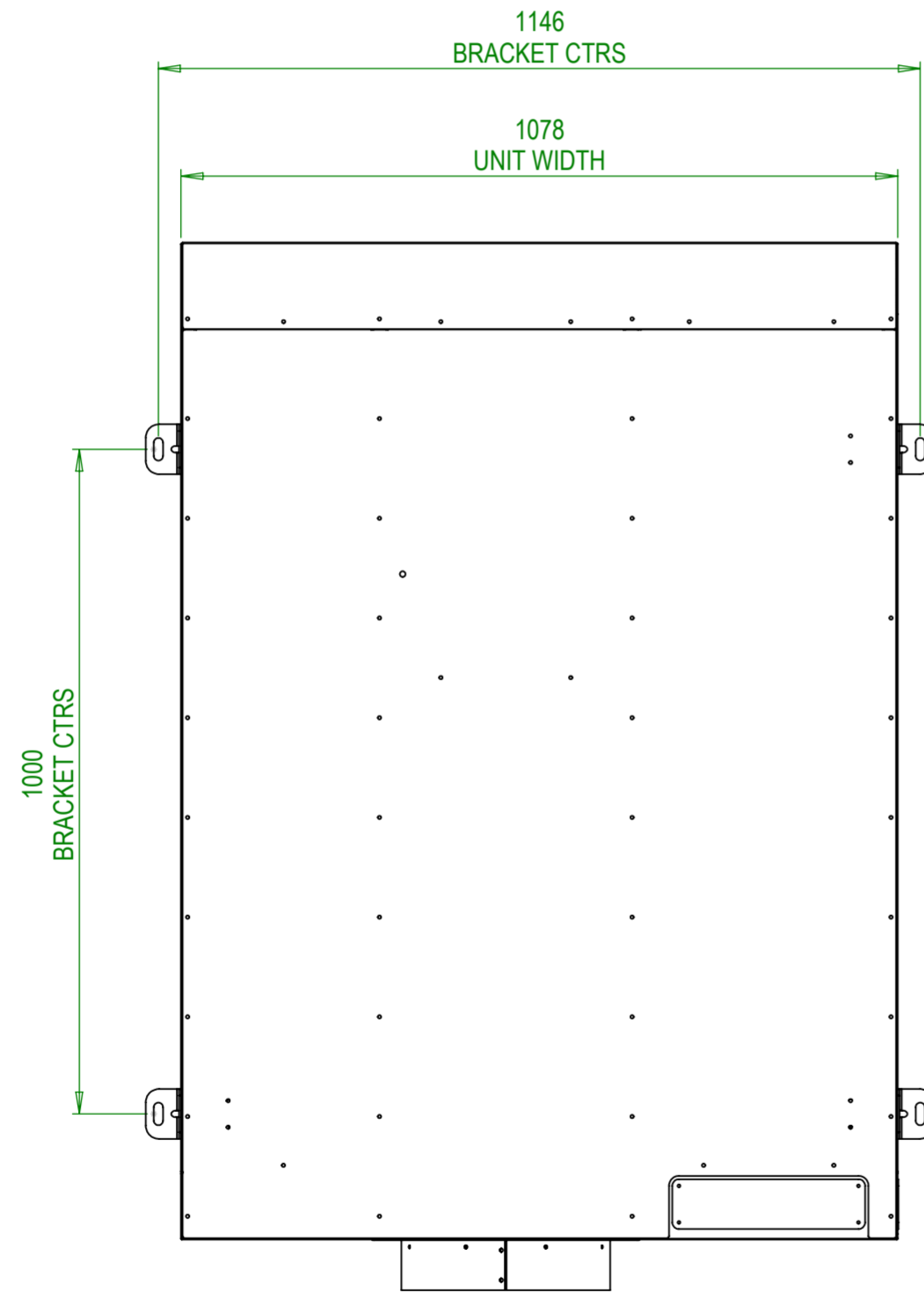
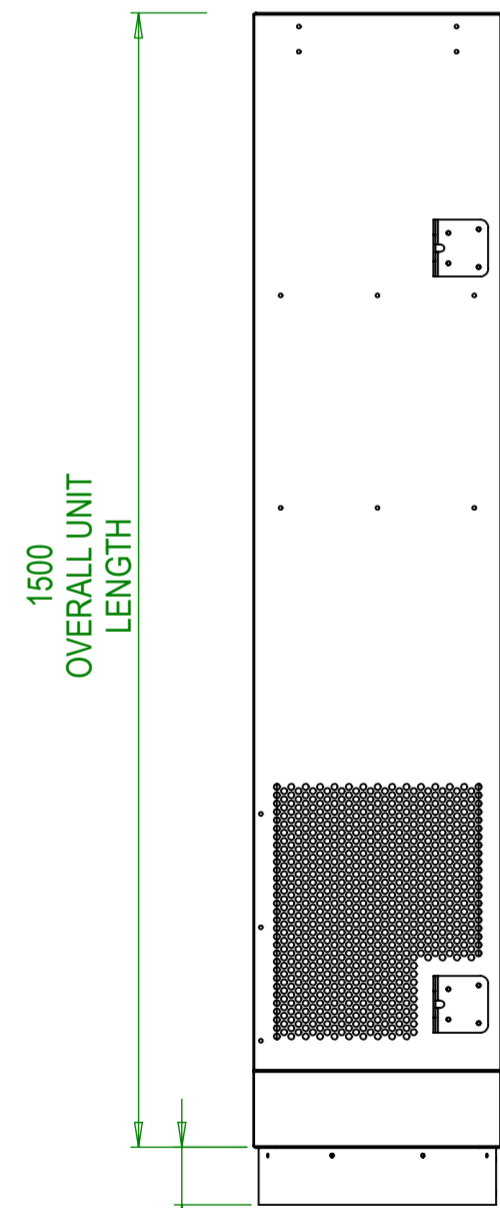


DO NOT SCALE

IF IN DOUBT, ASK!



A
B
C
D
E
F
G
H



MATERIAL:
N/A

FINISH:
N/A

MASS WITHOUT PACKAGING:
N/A

TOLERANCES EXCEPT WHERE OTHERWISE STATED			
SIZE (mm)	X	XX	TOLERANCE
over 0.5	up to 6		±0.1
over 6	up to 100		±0.2
over 100	up to 500		±0.5
over 500	up to 1000		±0.8
over 1000			±1.2

DE-BURR ALL SHARP EDGES AND HOLES
ITEM MUST BE FREE FROM SCRATCHES, DENTS AND
OTHER BLEMISHES.

DIMENSIONS IN MILLIMETRES



UNIT 3A, THE SHADE, SOHAM CB7 5HF
T: 01223 450060 F: 01223 450061
www.breathingbuildings.com/products

TITLE:
NVHR - 315mm SPIGOT

DRAWING NO:
1705 - NVHR

REV	DRAWN	DATE	CHK'D	DATE
O	MJW	21/08/2018	N/A	N/A

SCALE 1:10 A2 SHEET 1 OF 1

