

**DO NOT SCALE**

**IF IN DOUBT, ASK!**

REVISIONS			
REV.	DESCRIPTION	DATE	DRAWN

**NOTES:**

1. THE SIZING AND LOAD BEARING SUPPORTS MUST BE SIGNED OFF BY THE STRUCTURAL ENGINEER FOR THE PROJECT.
2. SITE SPECIFIC DIMENSIONS MUST BE TAKEN OF THE BUILDING AND THE F-SERIES BY THE INSTALLER (I.E. NOT TO SCALE).
3. IF UNDERSIDE OF EXTRACT GRILLE IS <2.7m ABOVE FINISHED FLOOR LEVEL, THEN 'FINGER GUARD' GRILLES MUST BE SPECIFIED.
4. UNIT SUPPLIED PRE-ASSEMBLED WITH 4 NO. MOUNTING BRACKETS.
5. DIMENSION A - FOR INSTALLATION PURPOSES, ENSURE SUFFICIENT GAP BETWEEN OBJECT (I.E. SIDE WALL) AND F500.

MATERIAL:  
N/A

FINISH  
N/A

MASS WITHOUT PACKAGING

TOLERANCES EXCEPT WHERE OTHERWISE STATED

X	±	0.5MM
X.XX	±	0.05MM
ANGLES	±	0.5°

SURFACE TEXTURE TO BE 1.6 UMRA OR BETTER

DE-BURR ALL SHARP EDGES AND HOLES  
ITEM MUST BE FREE FROM SCRATCHES, DENTS AND OTHER BLEMISHES.

DIMENSIONS IN MILLIMETRES



UNIT 3A, THE SHADE, SOHAM CB7 5HF  
T: 01223 450060 F: 01223 450061  
www.breathingbuildings.com/products

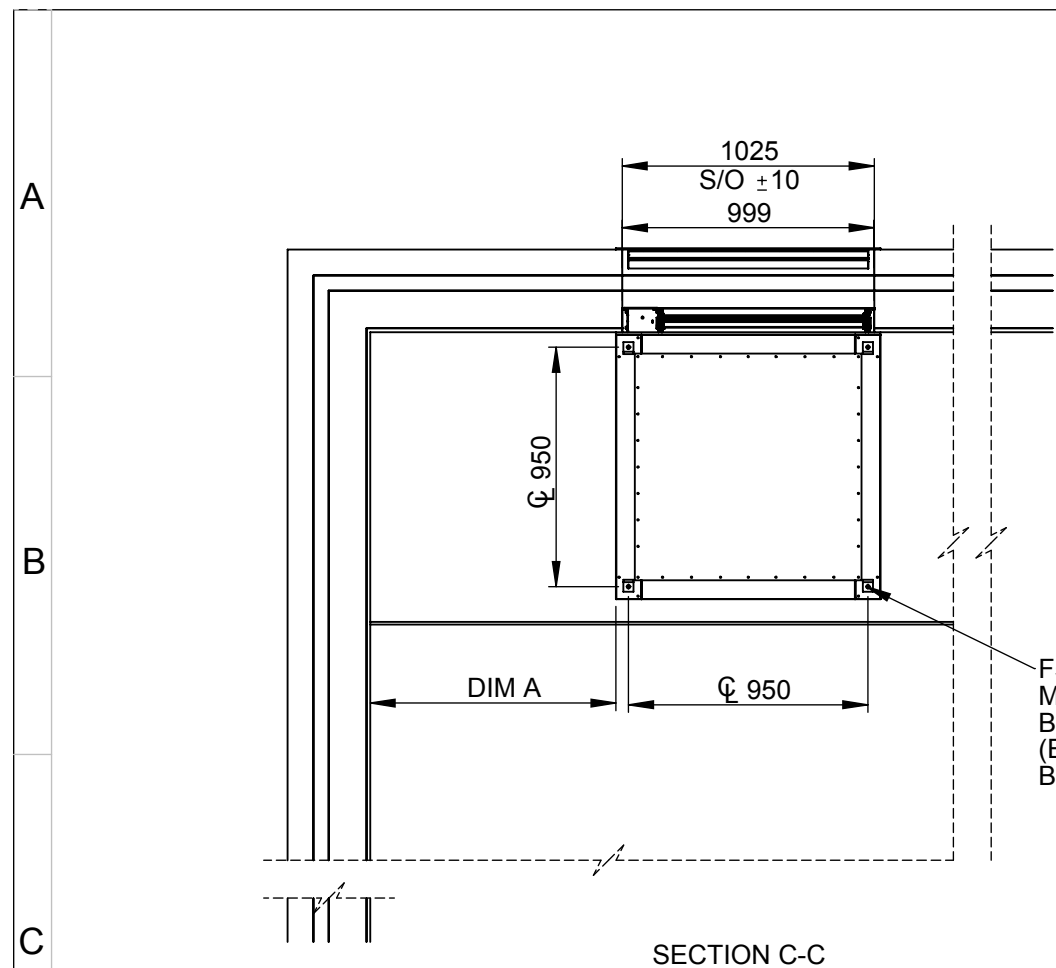
TITLE:

DRAWING NO:

1508\_9003

REV	DRAWN	DATE	CHK'D	DATE
	CC	04/07/2016		

SCALE 1:30 A3 SHEET 1 OF 1

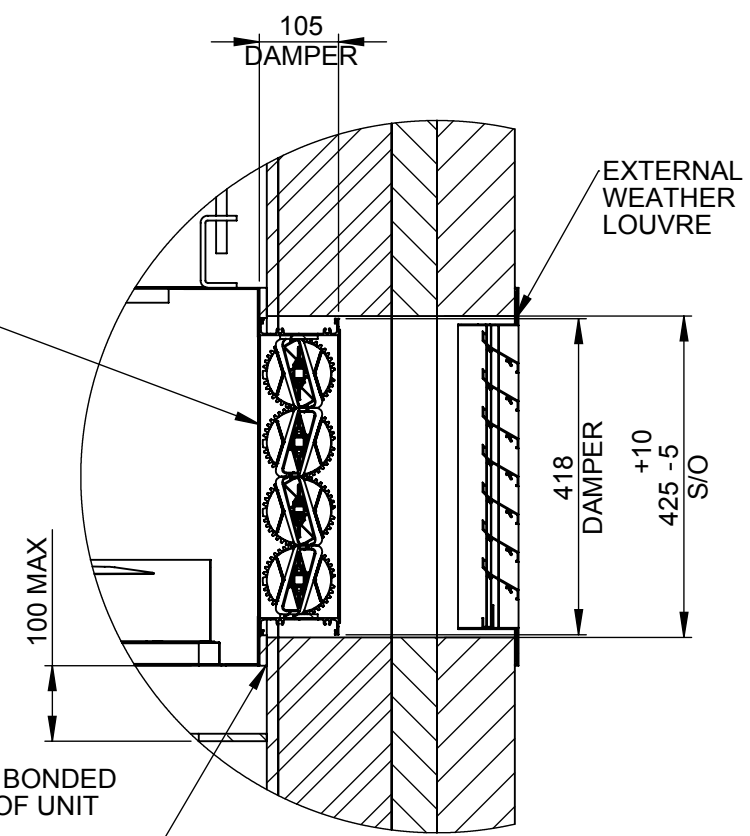


SECTION C-C

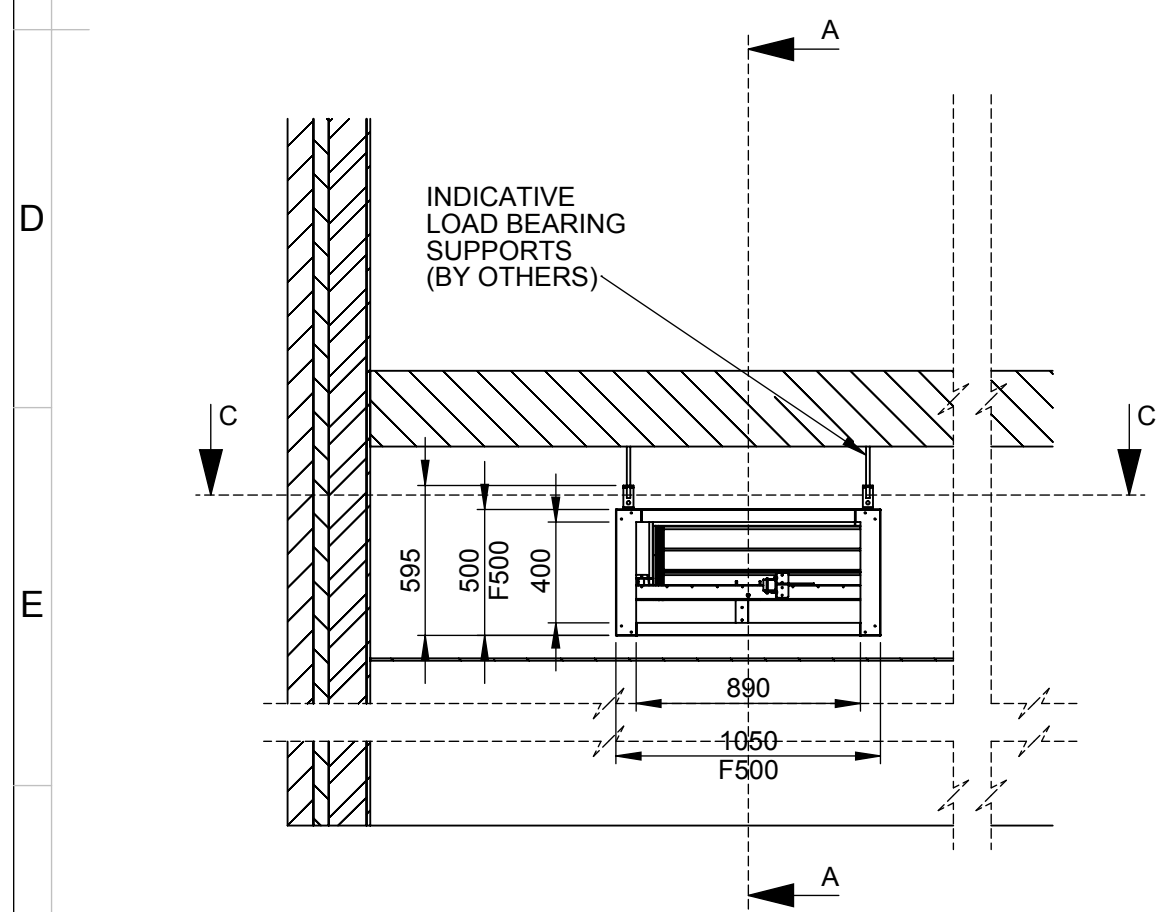
F500 CLASSIC MOUNTING BRACKETS (BY BREATHING BUILDINGS)

F500 CLASSIC DAMPER (BY BREATHING BUILDINGS)

NEOPRENE SEAL BONDED TO FRONT FACE OF UNIT  
- ENSURE EFFECTIVE AIR-TIGHT SEAL BETWEEN E-STACK AND WALL



DETAIL A SCALE 1:10



SECTION B-B

INDICATIVE LOAD BEARING SUPPORTS (BY OTHERS)

890X400MM EGG CRATE GRILLE ALIGNED WITH F500 SIDE OPEN APERTURE

ENSURE AIR PATHWAY IS DUCTED IF >100MM

UNIT MUST BE INSTALLED ON THE HORIZONTAL PLANE

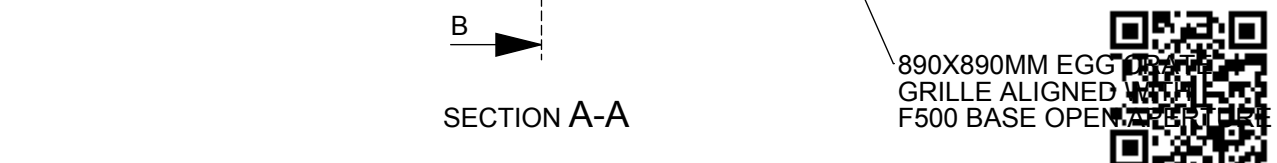
INDICATIVE BULKHEAD (BY OTHERS)



2 UNIT MUST BE INSTALLED ON THE HORIZONTAL PLANE

ROOM SIDE

EXTERNAL SIDE



SECTION A-A

890X890MM EGG CRATE GRILLE ALIGNED WITH F500 BASE OPEN APERTURE



BREATHING BUILDINGS CONTINUOUSLY WORK TO IMPROVE OUR PRODUCTS. TO ENSURE UP TO DATE DRAWINGS, PLEASE CONTACT BREATHING BUILDINGS.