

DO NOT SCALE

IF IN DOUBT, ASK!

REVISIONS

ZONE	REV.	DESCRIPTION	DATE	APPROVED
------	------	-------------	------	----------

NOTES:

1. COMPATIBLE WITH S1500L E-STACK.
2. DO NOT LIFT BY LOUVRE BLADES.

TOLERANCES EXCEPT WHERE OTHERWISE STATED

X	±	0.5MM
X.XX	±	0.05MM
ANGLES	±	0.5°

SURFACE TEXTURE TO BE 1.6 UMRA OR BETTER

DE-BURR ALL SHARP EDGES AND HOLES. ITEM MUST BE FREE FROM SCRATCHES, DENTS AND OTHER BLEMISHES.

DIMENSIONS IN MILLIMETRES



UNIT 3A, THE SHADE, SOHAM CB7 5HF
T: 01223 450060 F: 01223 450061
WWW.BREATHINGBUILDINGS.COM

TITLE:

S1500L PENTHOUSE LOUVRE ROOF TERMINAL (BBL)

DRAWING NO:

1408_9101

MATERIAL: ALUMINIUM

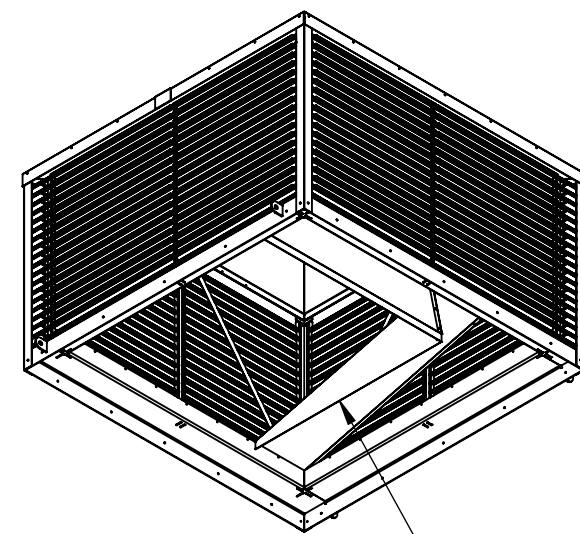
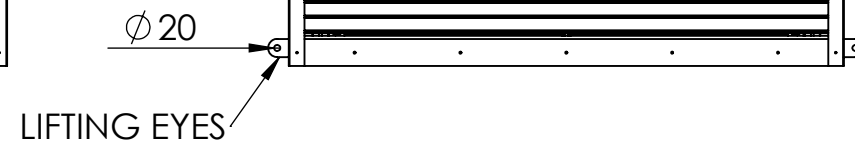
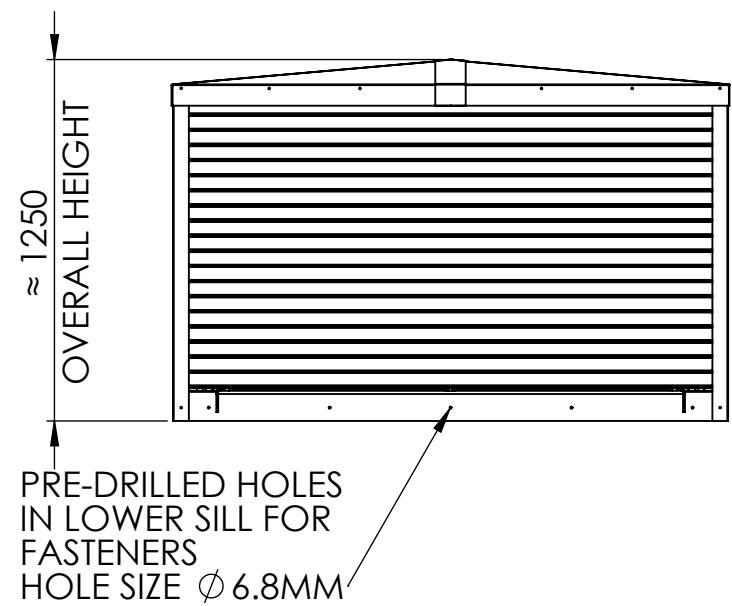
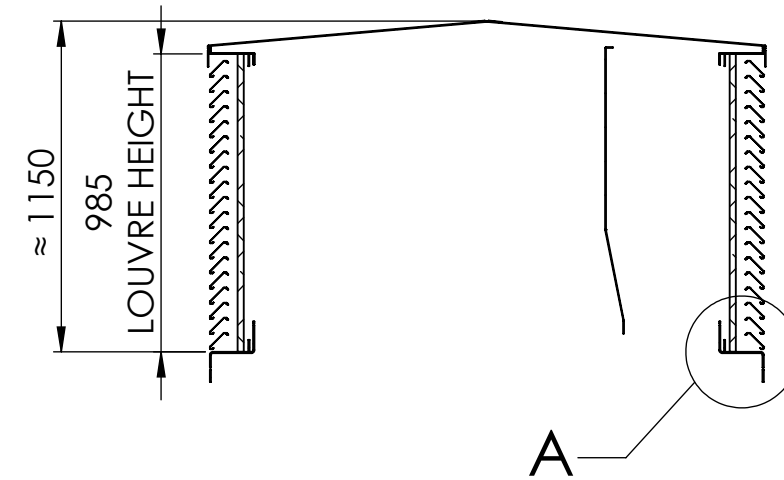
FINISH: MILL (STD) OR POWDER COAT

REV DRAWN DATE CHK'D DATE

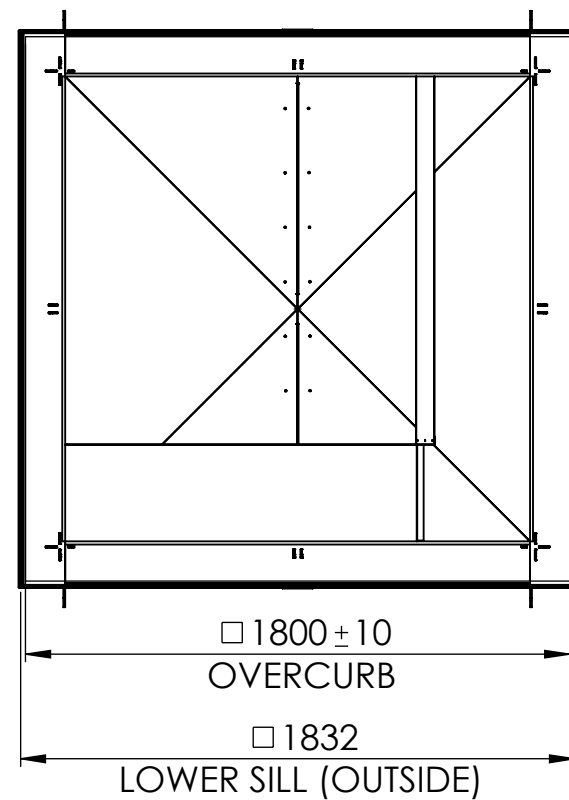
CC 06/07/2015

SCALE 1:25 A3 SHEET 1 OF 1

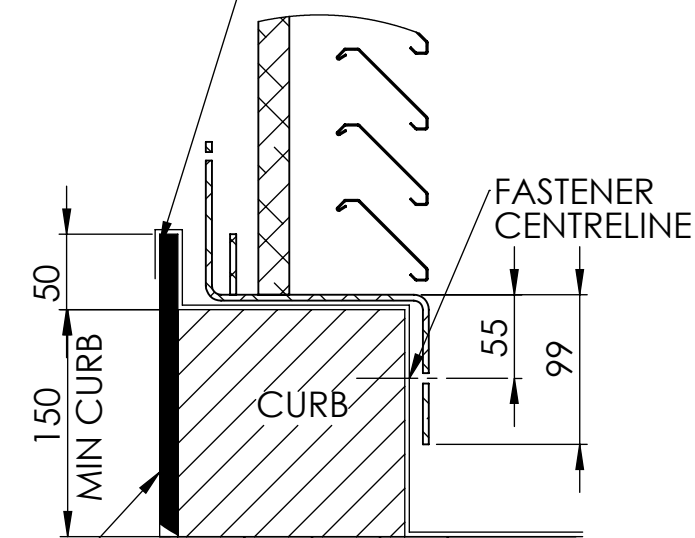
CROSS SECTION VIEW



INTEGRAL "L" DIVIDER



ROOF WATERPROOF SINGLE PLY. MEMBRANE TYP. SARNAFIL G410 OR SIMILAR, BONDED TO UP-STAND (BY OTHERS)



DETAIL A
SCALE 1 : 5

50MM WEATHER LIP, TYP. 12MM MARINE PLYWOOD OR SIMILAR, FIXED TO INNER SHAFT (BY OTHERS)

UPSTAND MATERIAL	FASTENER TYPE
CONCRETE	M6 STAINLESS STEEL RESIN ANCHOR
TIMBER	M6 STAINLESS STEEL BOLT OR 5MM DIA SCREW
STEEL	5MM DIA STAINLESS STEEL SELF-TAPPING SCREW
MASONARY	NOT RECOMMENDED

1 2 3 4 5 6 7