

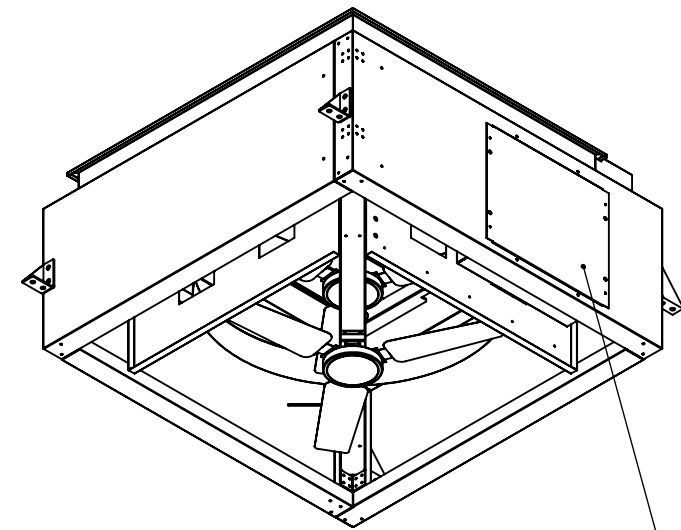
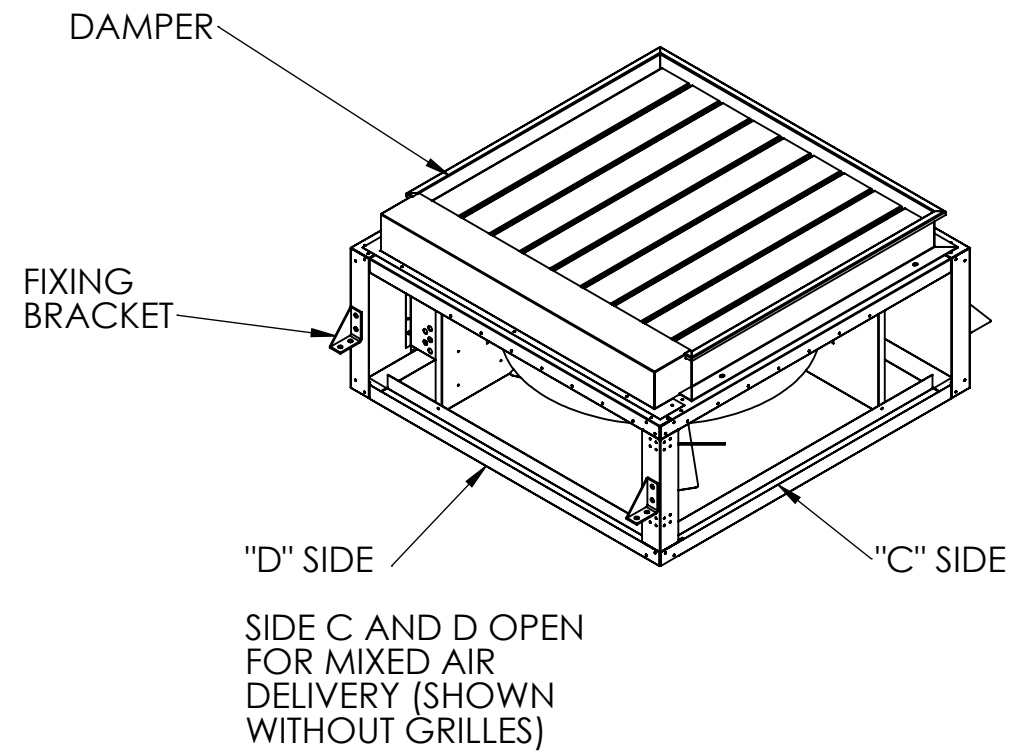
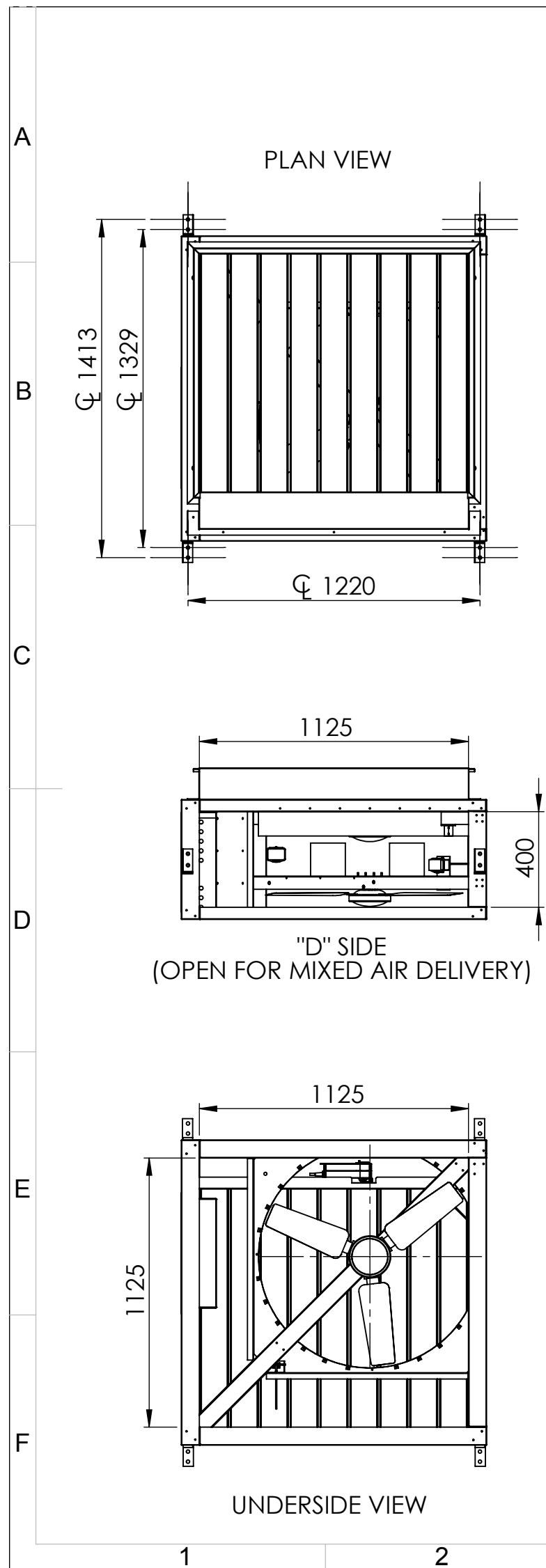
DO NOT SCALE

IF IN DOUBT, ASK!

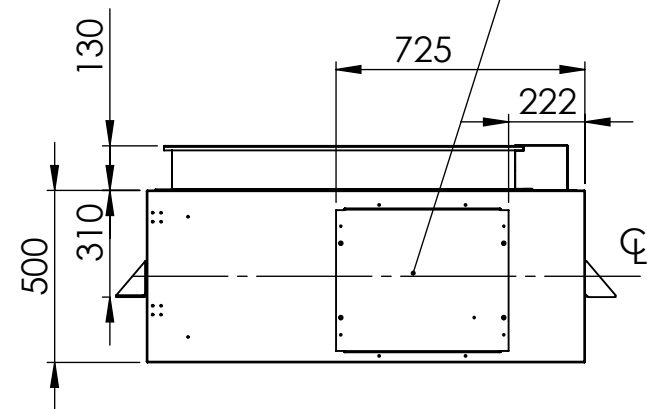
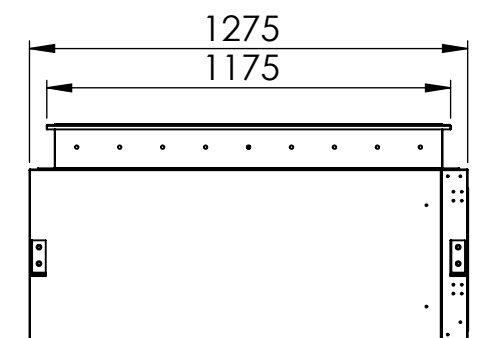
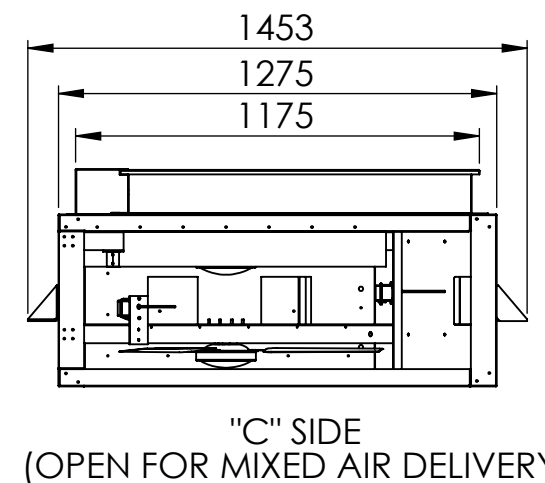
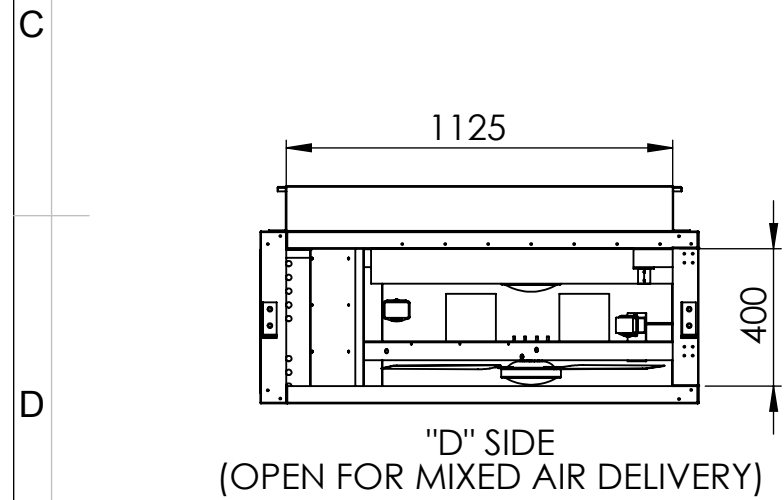
REVISIONS			
REV.	DESCRIPTION	DATE	DRAWN
1	FIRST ISSUE	04/06/2015	CC
2	UPDATE WEIGHT	11/08/2016	CC

NOTES:

1. UNIT SUPPLIED WITH 4 NO. FIXING BRACKETS
2. E-STACK CAN BE HUNG FROM 4 NO. M10 STEEL THREADED STUDDING
3. FINISH - GALV. AS STANDARD (RAL AT ADDITIONAL COST)
4. GRILLES NOT SHOWN. GRILLES SUPPLIED AT ADDITIONAL COST
5. IF UNIT IS POSITIONED LESS THAN 2.7M ABOVE FINISH FLOOR LEVEL, FINGER GUARD GRILLES MUST BE USED



CONTROL PANEL COVER PLATE



MATERIAL:
MILD STEEL

FINISH
GALV. OR ZINTEC POWDER COATED

MASS WITHOUT PACKAGING
120KG

TOLERANCES EXCEPT WHERE OTHERWISE STATED

X	±	0.5MM
X XX	±	0.05MM
ANGLES	±	0.5°

SURFACE TEXTURE TO BE 1.6 UMRA OR BETTER

DE-BURR ALL SHARP EDGES AND HOLES
ITEM MUST BE FREE FROM SCRATCHES, DENTS AND OTHER BLEMISHES.

DIMENSIONS IN MILLIMETRES



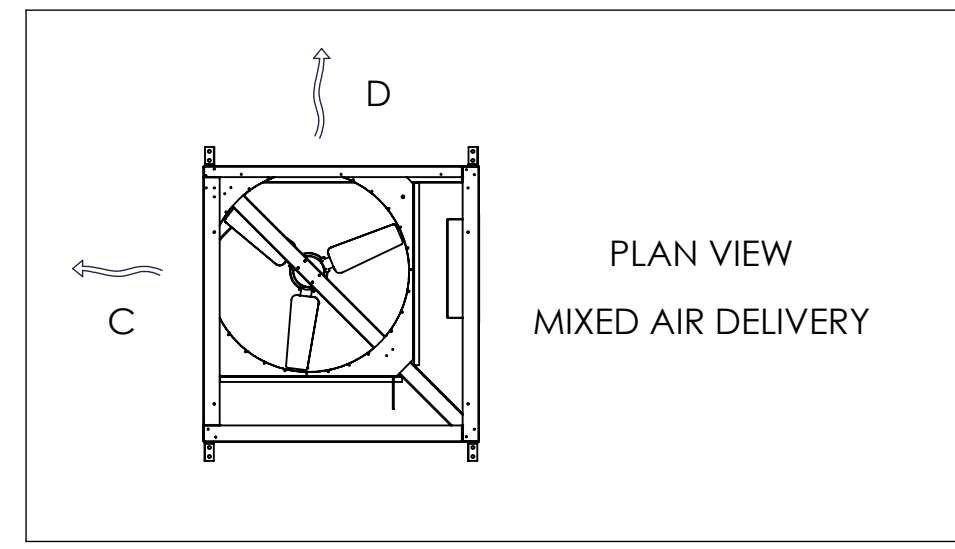
UNIT 3A, THE SHADE, SOHAM, CB7 5HF
T: 01223 450060 F: 01223 450061
www.breathingbuildings.com/products

TITLE:
E-STACK: S1200L VERSION 1

DRAWING NO:
1341_9002

REV	DRAWN	DATE	CHK'D	DATE
2	CC	11/08/2016		

SCALE 1:22 A3 SHEET 1 OF 1



BREATHING BUILDINGS CONTINUOUSLY WORK TO IMPROVE OUR PRODUCTS. TO ENSURE UP TO DATE DRAWINGS, PLEASE CONTACT BREATHING BUILDINGS.