

DO NOT SCALE

IF IN DOUBT, ASK!

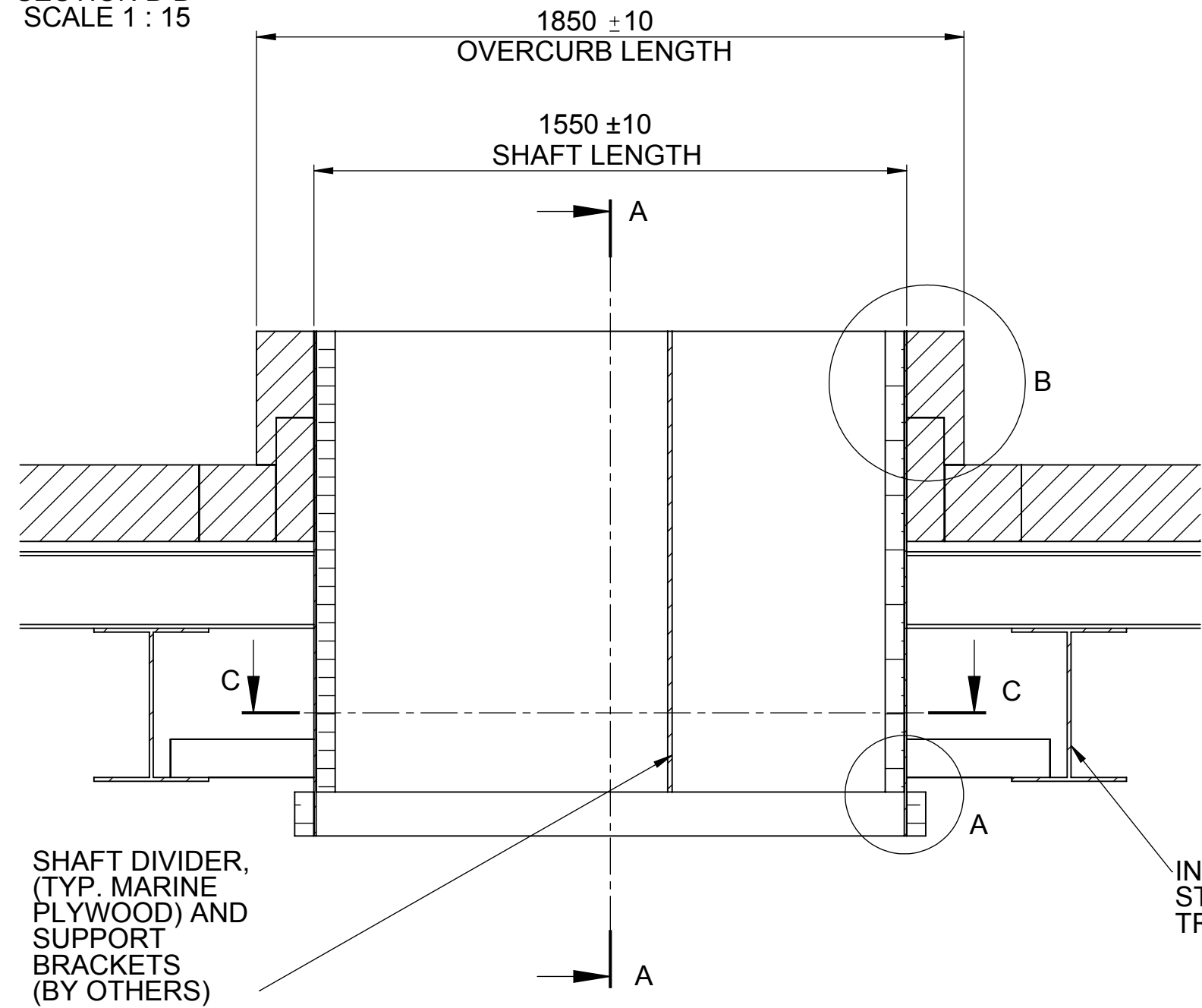
REVISIONS

REV.	DESCRIPTION	DATE	DRAWN

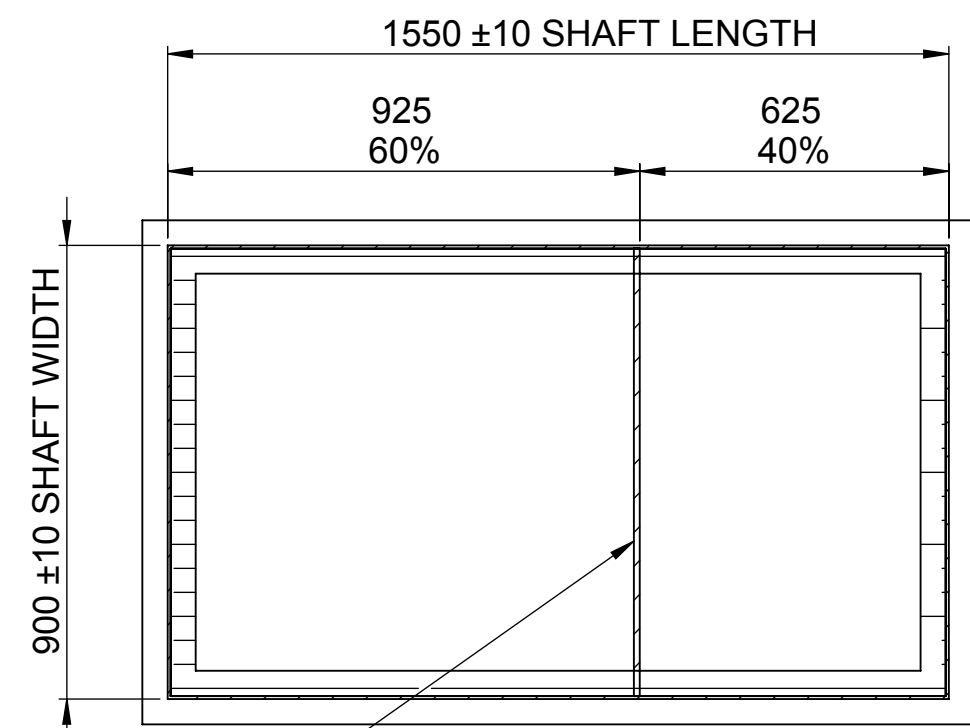
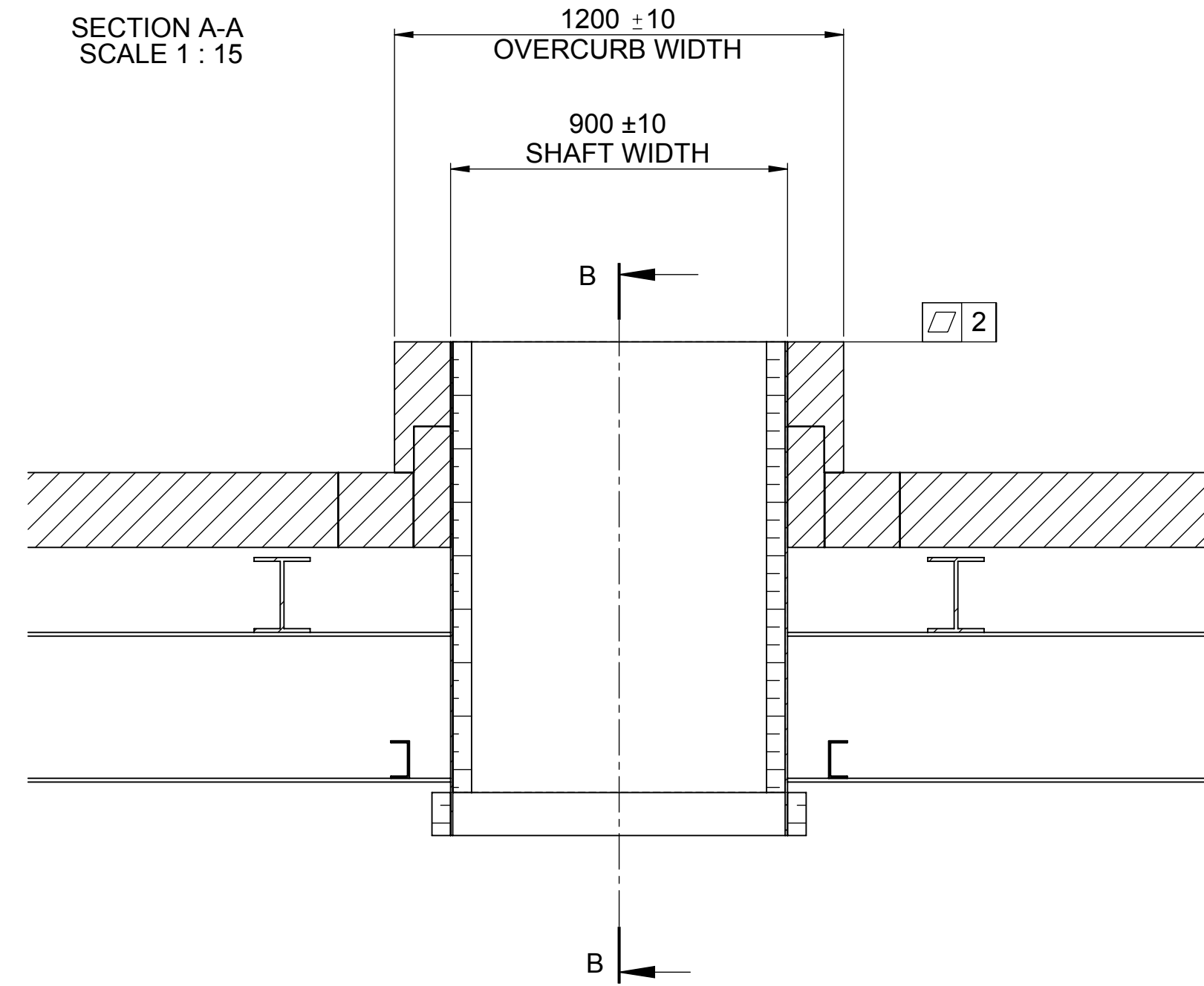
NOTES:

1. THE SIZING AND DETAILED DESIGN OF THE LOAD-BEARING SUPPORTS MUST BE SPECIFIED AND SIGNED OFF BY THE STRUCTURAL ENGINEER FOR THE PROJECT.
2. BUILDERS TO CHECK STRUCTURAL OPENING AND REPORT TO BREATHING BUILDINGS IF NOT WITHIN TOLERANCES.
3. MIXED AIR DELIVERY HANDING TO BE CONFIRMED PRIOR TO ORDER - TYPE B STANDARD.
4. DIVIDER TO BE ALIGNED WITH SIMILAR DIVIDER IN SHAFT AND ROOF TERMINAL DURING INSTALLATION TO CREATE TWO AIR PATHWAYS.
5. R-SERIES MUST BE INSTALLED HORIZONTALLY LEVEL.
6. IF UNIT IS POSITIONED LESS THAN 2.7M ABOVE GROUND, FINGER GUARD GRILLES MUST BE USED.

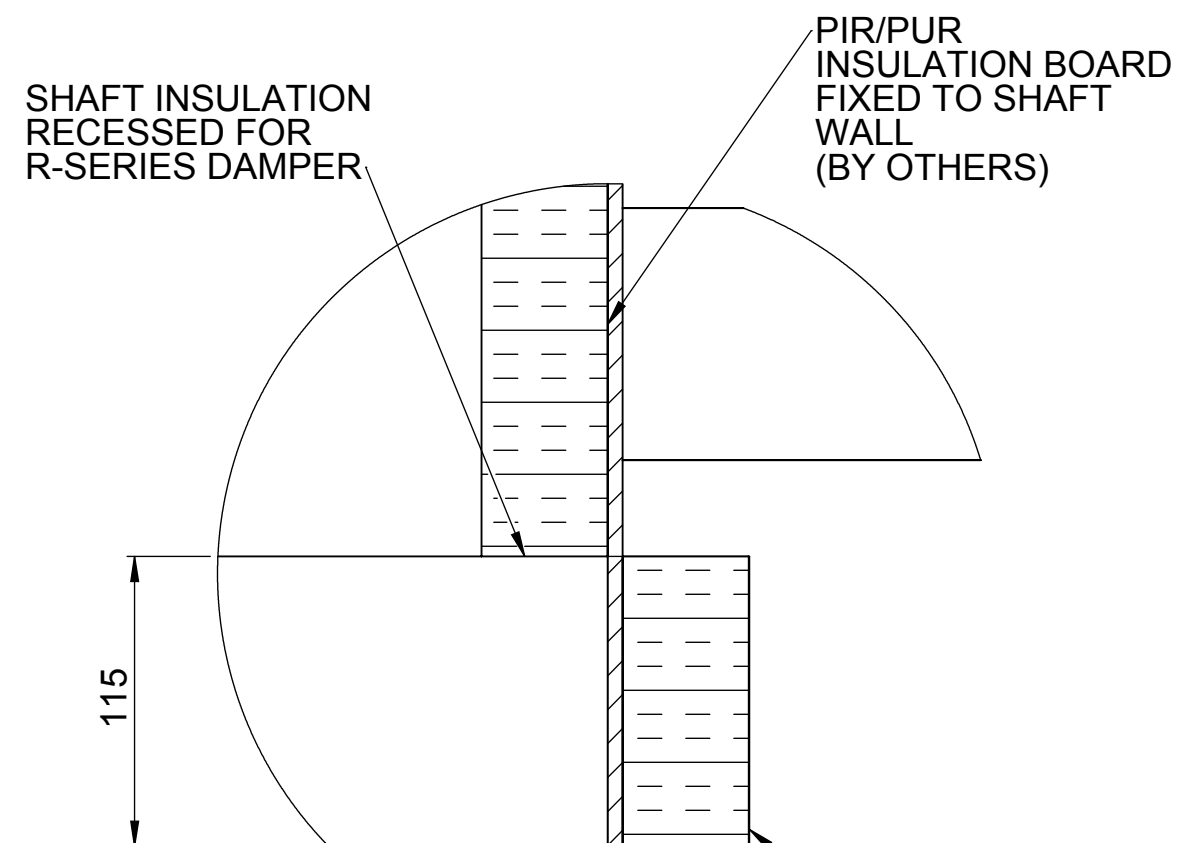
SECTION B-B  
SCALE 1 : 15



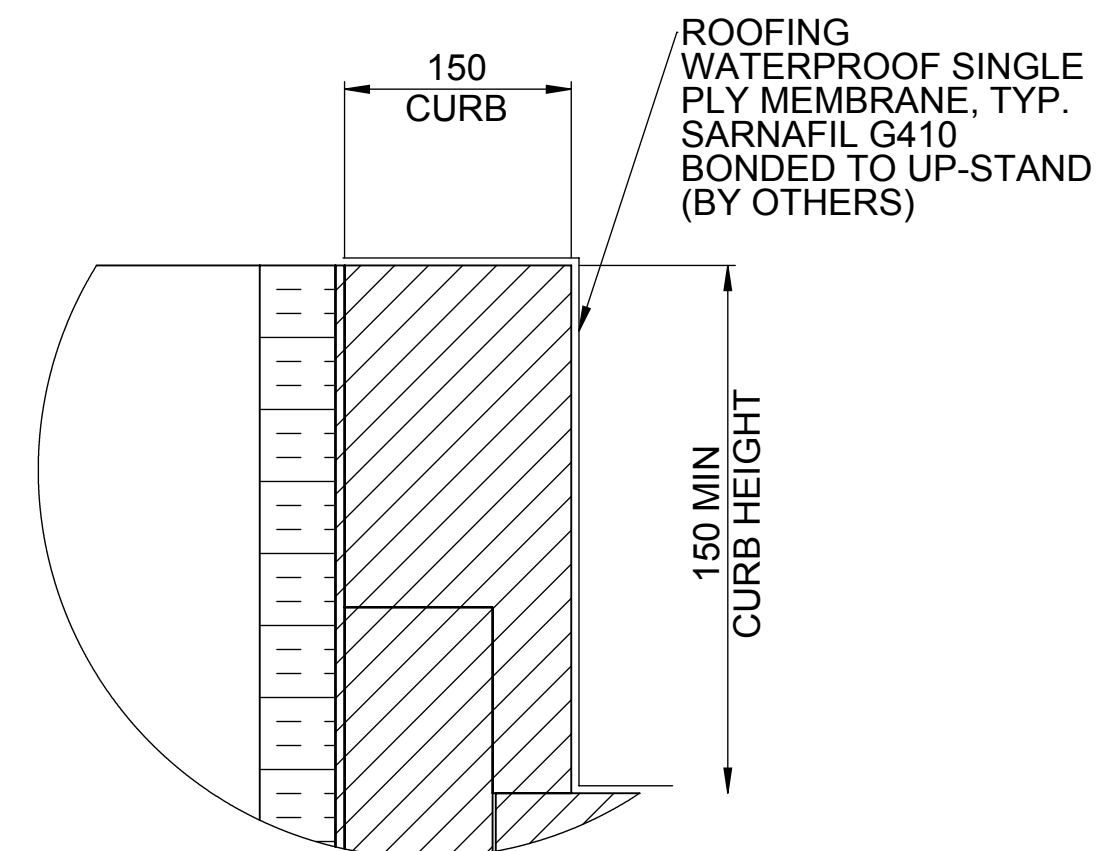
SECTION A-A  
SCALE 1 : 15



SECTION C-C  
SCALE 1 : 15  
SHAFT IN PLAN VIEW



DETAIL A  
SCALE 1 : 3



DETAIL B  
SCALE 1 : 5

MATERIAL:  
N/A

FINISH  
N/A

MASS WITHOUT PACKAGING  
N/A

TOLERANCES EXCEPT WHERE OTHERWISE STATED

X	:	0.5MM
X.XX	:	0.05MM
ANGLES	:	0.5°

SURFACE TEXTURE TO BE 1.6 UMRA OR BETTER

DE-BURR ALL SHARP EDGES AND HOLES  
ITEM MUST BE FREE FROM SCRATCHES, DENTS AND OTHER BLEMISHES.

DIMENSIONS IN MILLIMETRES



UNIT 3A, THE SHADE, SOHAM C97 5HF  
T: 01223 450060 F: 01223 450061  
www.breathingbuildings.com/products

TITLE:  
R-SERIES E-STACK WITH R-SERIES MUSHROOM ROOF TERMINAL INSTALLATION GA

DRAWING NO:  
1332\_9203

REV	DRAWN	DATE	CHKD	DATE
	CC	06/04/2015		

SCALE 1:15 A2 SHEET 1 OF 3



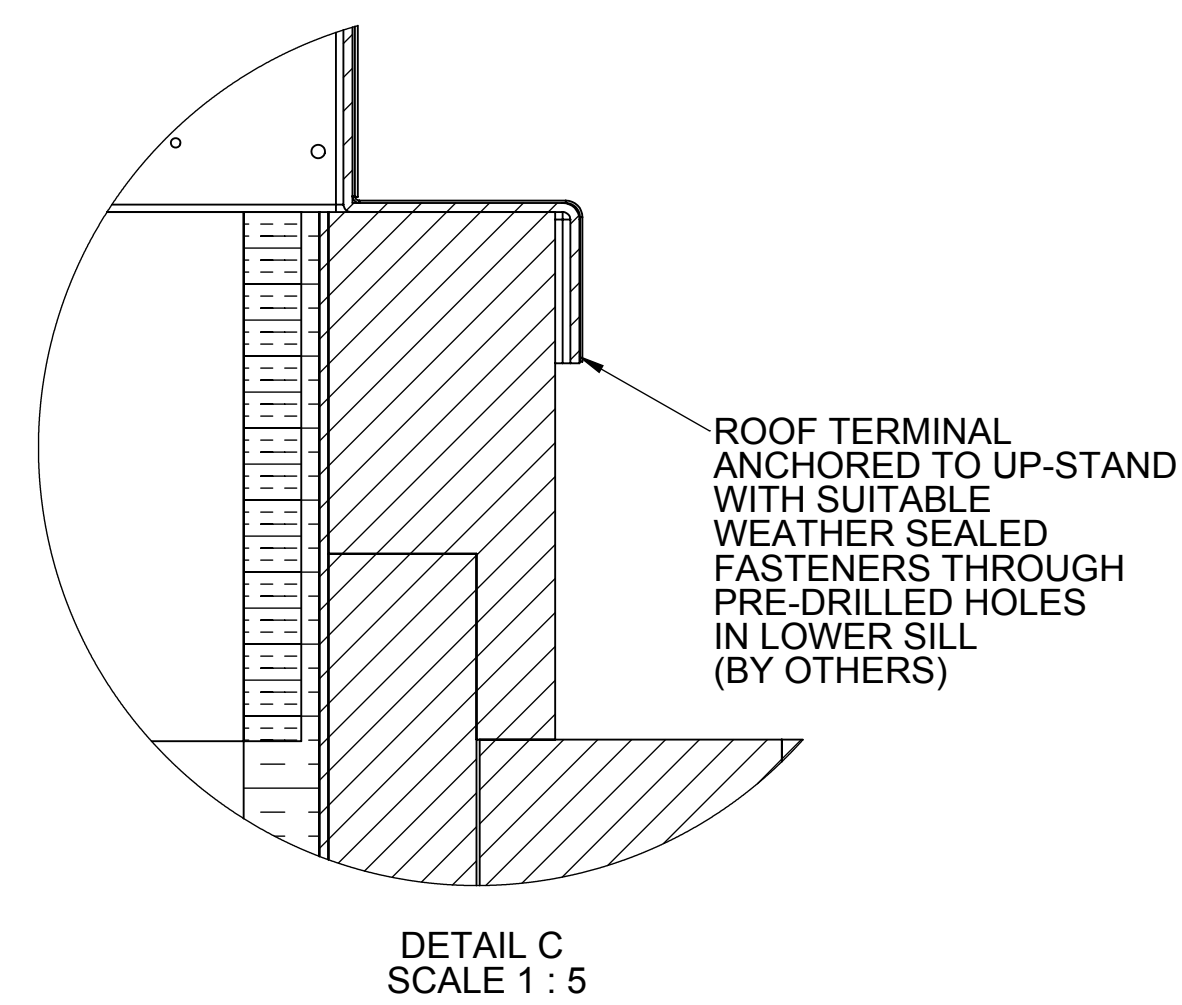
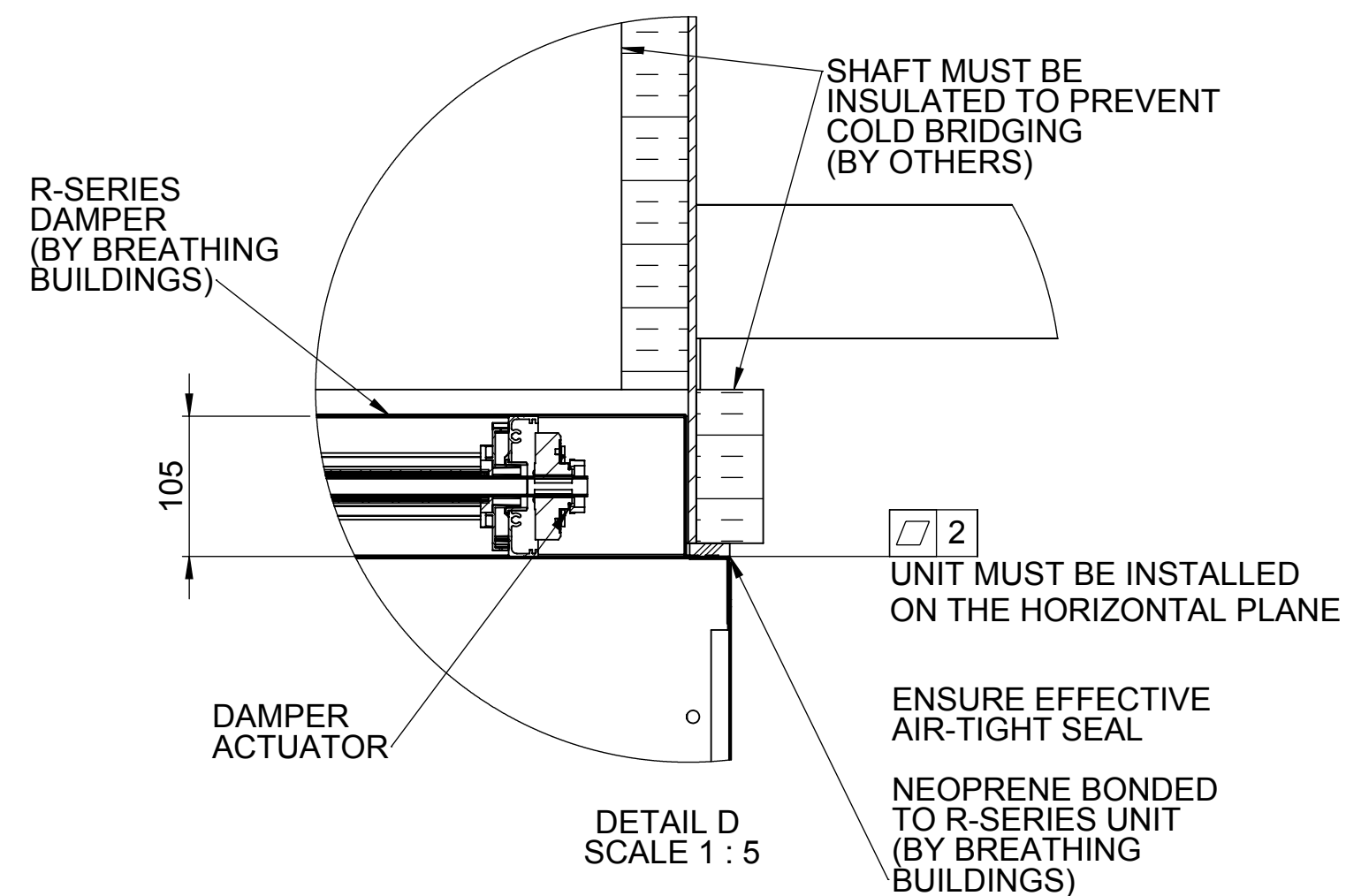
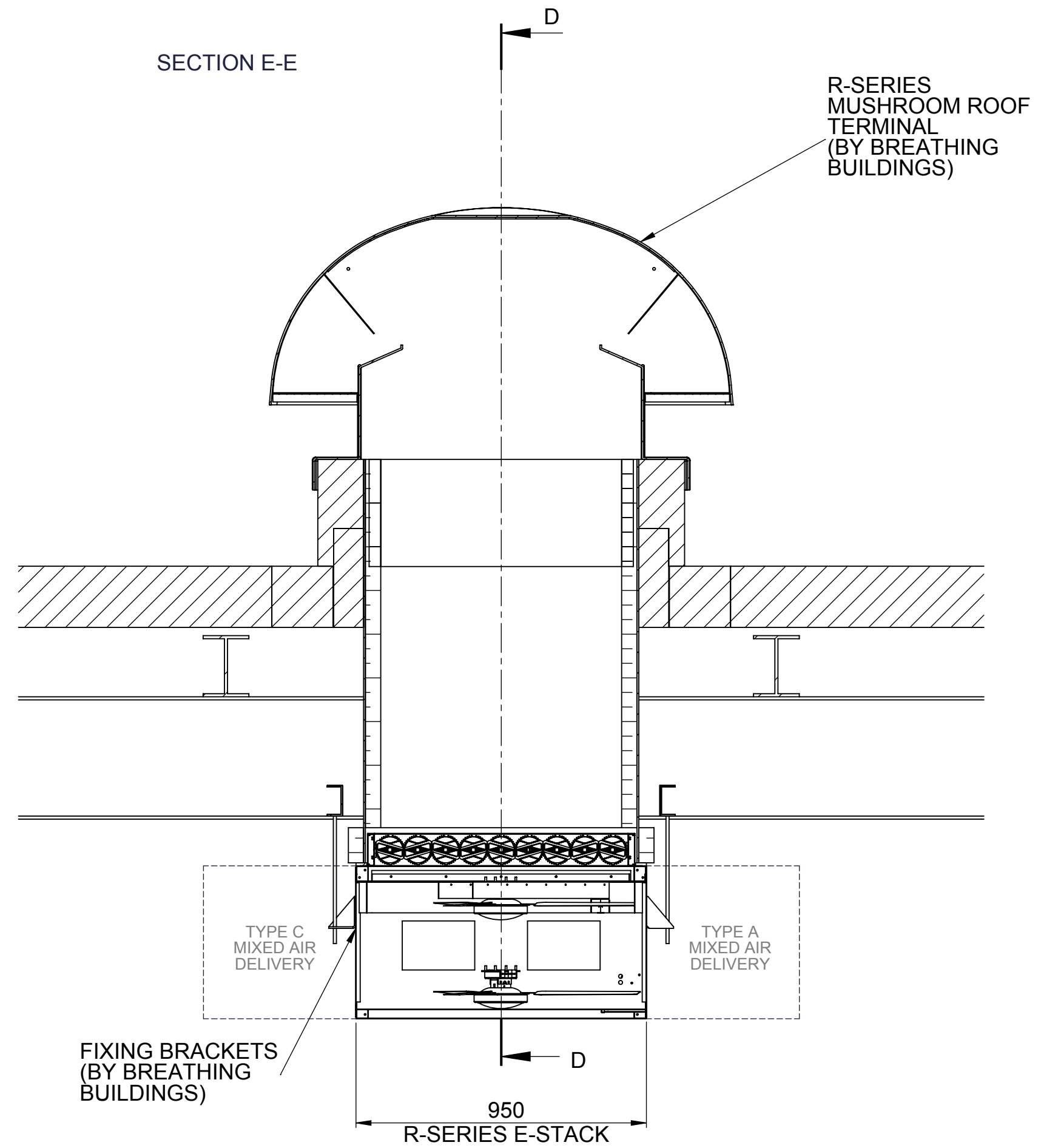
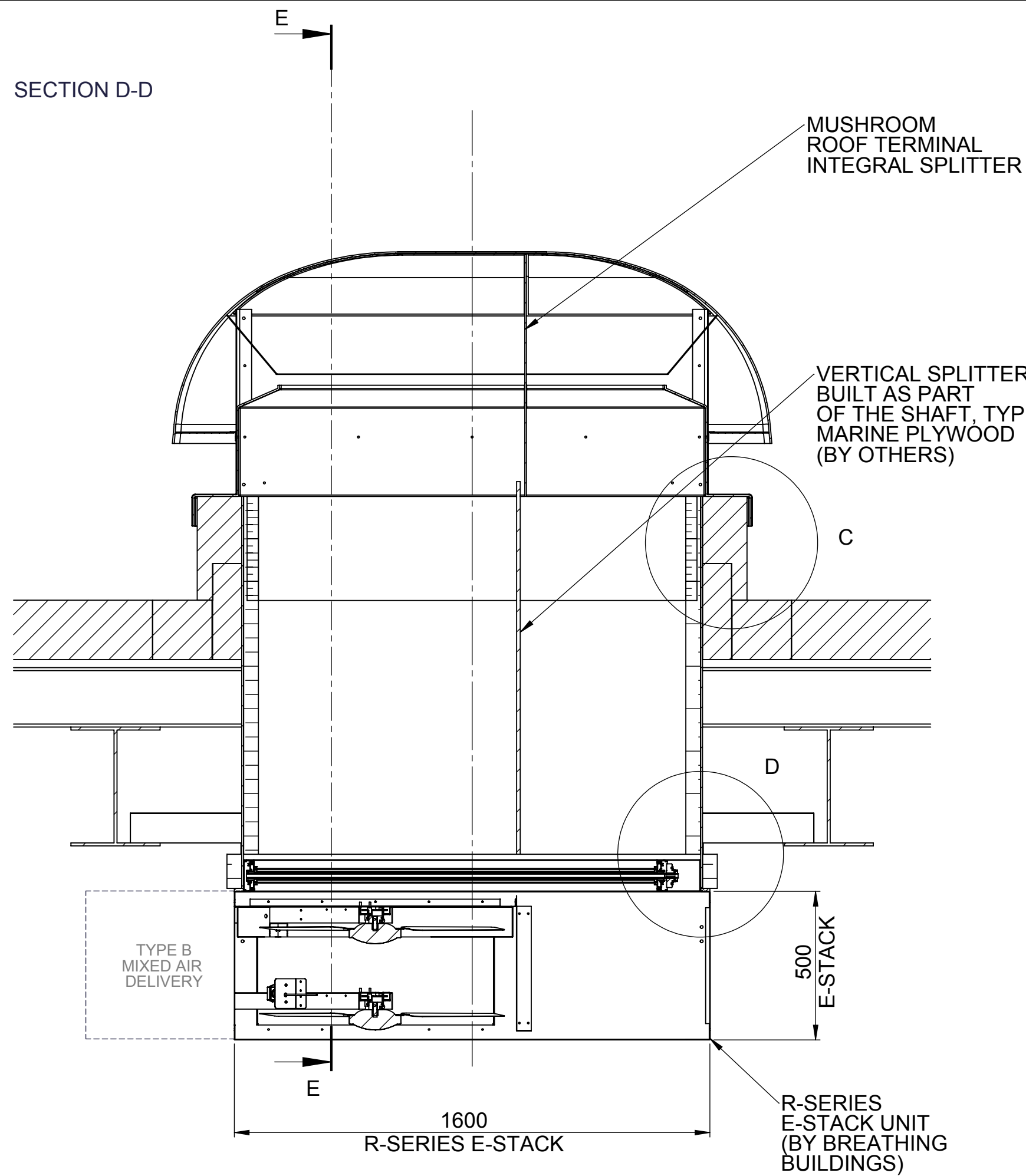
BREATHING BUILDINGS CONTINUOUSLY WORK TO IMPROVE OUR PRODUCTS. TO ENSURE UP TO DATE DRAWINGS, PLEASE CONTACT BREATHING BUILDINGS.

DO NOT SCALE

IF IN DOUBT, ASK!

REVISIONS

ZONE	REV.	DESCRIPTION	DATE	APPROVED
-	-	See Sheet 1	-	-



MATERIAL:  
N/A

FINISH  
N/A

MASS WITHOUT PACKAGING  
N/A

TOLERANCES EXCEPT WHERE OTHERWISE STATED  
X : 0.5MM  
X.XX : 0.05MM  
ANGLES : 0.5°

SURFACE TEXTURE TO BE 1.6 UMRA OR BETTER

DE-BURR ALL SHARP EDGES AND HOLES  
ITEM MUST BE FREE FROM SCRATCHES, DENTS AND OTHER BLEMISHES.

DIMENSIONS IN MILLIMETRES



UNIT 3A, THE SHADE, SOHAM CB7 5HF  
T: 01223 450080 F: 01223 450061  
www.breathingbuildings.com/products

TITLE:  
R-SERIES E-STACK WITH R-SERIES MUSHROOM ROOF TERMINAL INSTALLATION GA

DRAWING NO:  
1332\_9203

REV	DRAWN	DATE	CHKD	DATE
CC		06/04/2015		

SCALE 1:15 A2 SHEET 2 OF 3

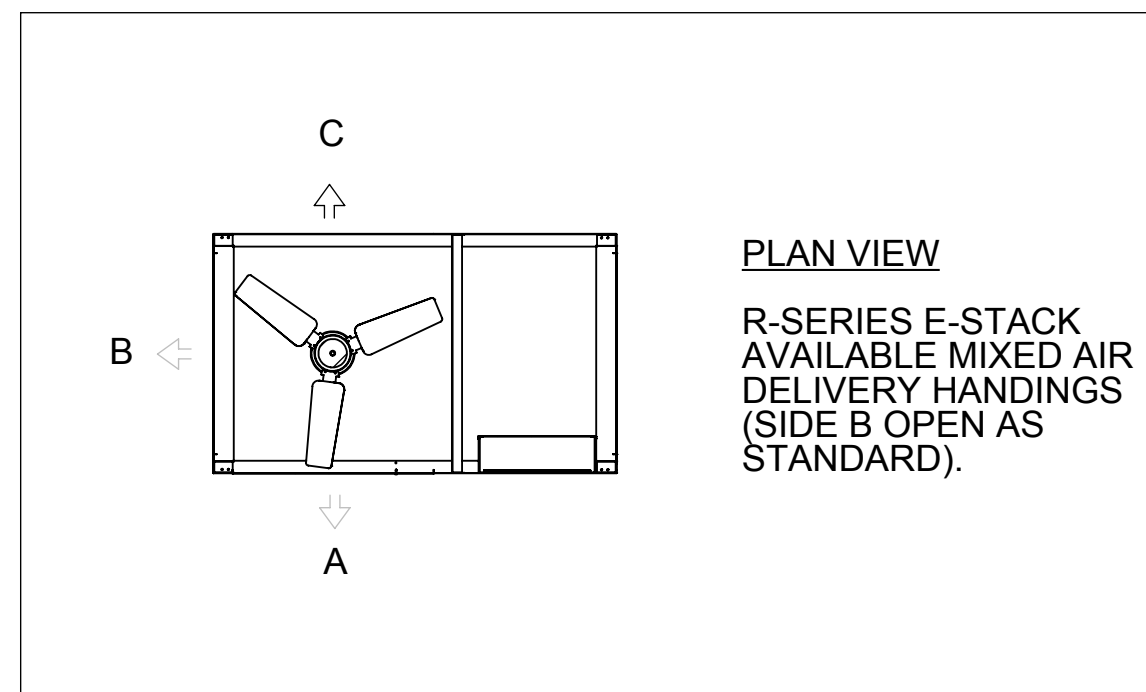
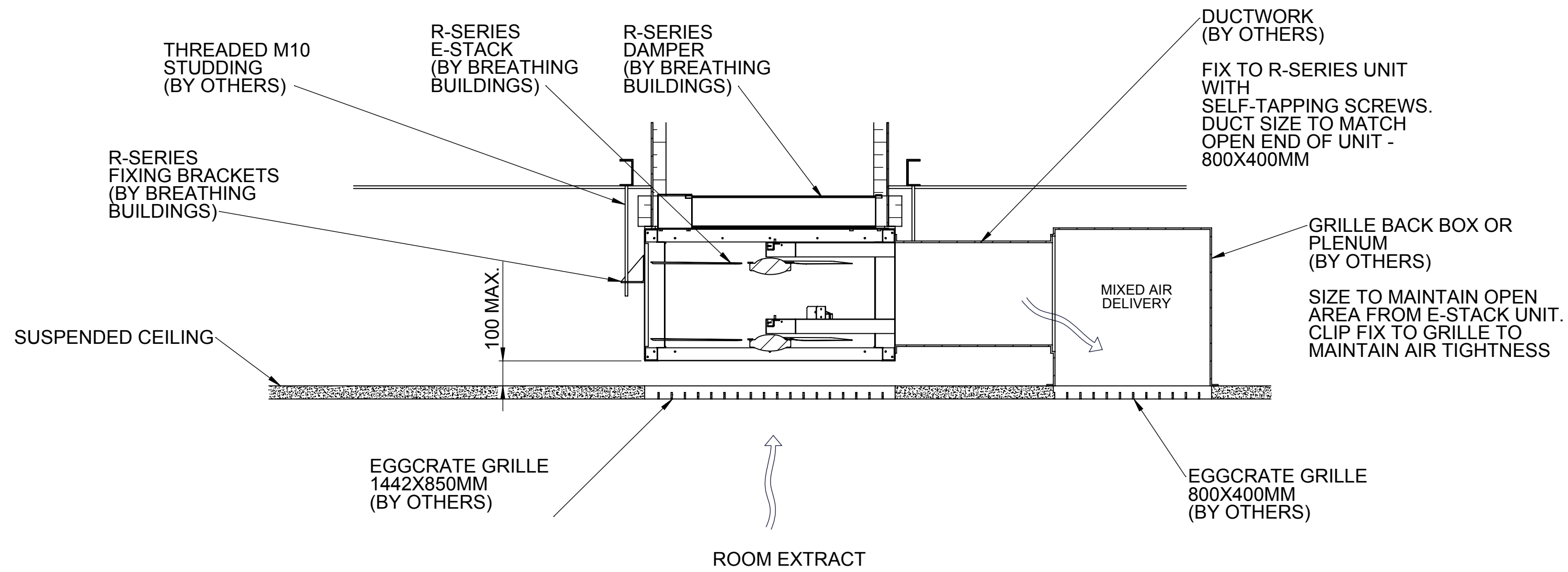


DO NOT SCALE

IF IN DOUBT, ASK!

REVISIONS

ZONE	REV.	DESCRIPTION	DATE	APPROVED
-	-	See Sheet 1	-	-



MATERIAL:  
N/A

FINISH  
N/A

MASS WITHOUT PACKAGING  
N/A

TOLERANCES EXCEPT WHERE OTHERWISE STATED

X	:	0.5MM
X.XX	:	0.05MM
ANGLES	:	0.5°

SURFACE TEXTURE TO BE 1.6 UMRA OR BETTER

DE-BURR ALL SHARP EDGES AND HOLES. ITEM MUST BE FREE FROM SCRATCHES, DENTS AND OTHER BLEMISHES.

DIMENSIONS IN MILLIMETRES



UNIT 3A, THE SHADE, SOHAM CB7 5HF  
T: 01223 450080 F: 01223 450061  
www.breathingbuildings.com/products

TITLE:  
R-SERIES E-STACK WITH R-SERIES MUSHROOM ROOF TERMINAL INSTALLATION GA

DRAWING NO:  
1332\_9203

REV	DRAWN	DATE	CHKD	DATE
CC		06/04/2015		

SCALE: 1:15 A2 SHEET 3 OF 3



BREATHING BUILDINGS CONTINUOUSLY WORK TO IMPROVE OUR PRODUCTS. TO ENSURE UP TO DATE DRAWINGS, PLEASE CONTACT BREATHING BUILDINGS.