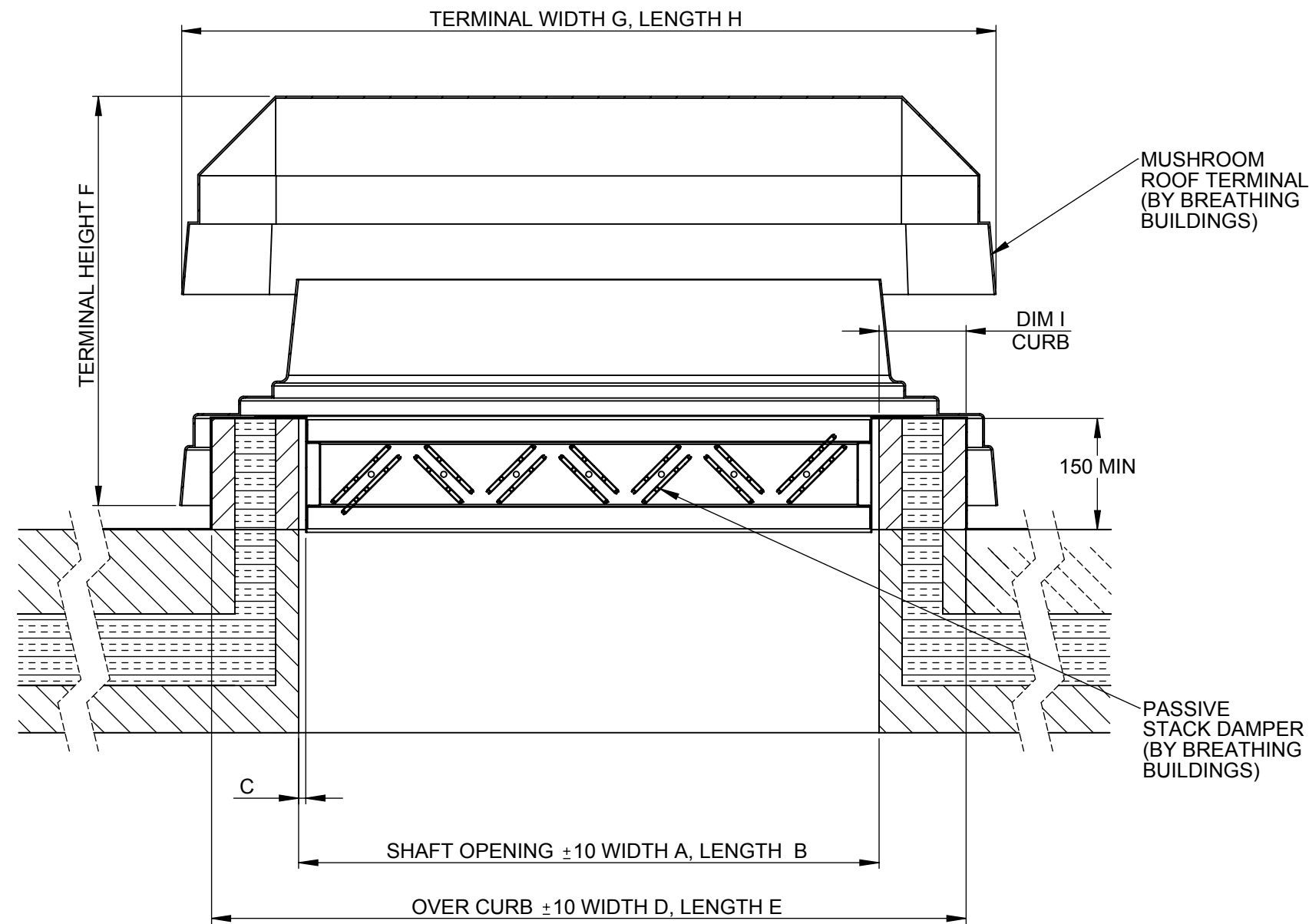


CROSS SECTION



UNIT TYPE	A	B	C	D	E	F	G	H	I	DAMPER MASS [KG]	TERMINAL MASS [KG]
PSS600	600	600	12.5	890	890	550	995	995	145	TBC	18
PSS800	800	800	12.5	990	990	650	1115	1115	95	TBC	25
PSS1000	1000	1000	12.5	1340	1340	750	1650	1650	170	TBC	40
PSS1200	1200	1200	12.5	1500	1500	875	1869	1869	150	TBC	150
PSS1500	1500	1500	12.5	1800	1800	875	2169	2169	150	TBC	160
PSR-SERIES	1550	900	12.5	1850	1200	945	2080	1600	150	TBC	150

DO NOT SCALE

IF IN DOUBT, ASK!

REVISIONS

REV.	DESCRIPTION	DATE	DRAWN
1	FIRST ISSUE	24/07/2014	CC
2	LAYOUT	27/08/2014	CC
3	DIMENSIONS	22/12/2014	CC
4		19/01/2015	CC
5		29/03/2015	CC
6	DIMENSIONS	14/10/2015	CC
7	ADDED WEIGHTS	23/08/2016	CC

NOTES:

- ROOF PROFILE INDICATIVE. LOAD BEARING SUPPORTS TO BE SIGNED OFF BY STRUCTURAL ENGINEER FOR THE PROJECT.
- ACTUATOR IP RATED JUNCTION BOX FIXED TO INSIDE COVER PLATE OF DAMPER.
- DAMPER BLADES SHOWN IN OPPOSING POSITION. DAMPER SUPPLIED WITH LIFTING LUGS.
- UNITS SUPPLIED PRE-ASSEMBLED. FIXING HOLES TO BE DRILLED ON SITE.
- PASSIVE STACK S1000 SHOWN.
- INTERNAL GRILLE NOT SHOWN. GRILLE NECK SIZE TO FIT SHAFT APERTURE.

MATERIAL:

FINISH

MASS WITHOUT PACKAGING  
SEE TABLE

TOLERANCES EXCEPT WHERE OTHERWISE STATED

X	±	0.5MM
X XX	±	0.05MM
ANGLES	±	0.5°

SURFACE TEXTURE TO BE 1.6 UMRA OR BETTER

DE-BURR ALL SHARP EDGES AND HOLES  
ITEM MUST BE FREE FROM SCRATCHES, DENTS AND OTHER BLEMISHES.

DIMENSIONS IN MILLIMETRES



UNIT 3A, THE SHADE, SOHAM, CB7 5HF  
T: 01223 450060 F: 01223 450061  
www.breathingbuildings.com/products

TITLE:

PASSIVE STACK TYPE 1  
WITH MUSHROOM ROOF  
TERMINAL

DRAWING NO.:

1329\_9301

REV	DRAWN	DATE	CHK'D	DATE
7	CC	23/08/2016		

SCALE 1:10 A3 SHEET 1 OF 1



1

2

3

4

5

6

7