

DO NOT SCALE

IF IN DOUBT, ASK!

REVISIONS

REV.	DESCRIPTION	DATE	DRAWN
1	FIRST ISSUE	05/03/2014	CC
2	UPDATE	05/03/2014	CC
3	UPDATE	25/03/2014	CC
4	UPDATE	27/08/2014	CC
5	ADD NOTE	27/07/2016	CC
6	ADD NOTE	22/08/2016	CC

NOTES:

1. DEFAULT COLOUR RAL 7035 GREY BUT AVAILABLE IN OTHER COLOURS AT ADDITIONAL COST BUILDERS TO CHECK STRUCTURAL OPENING AND REPORT IF NOT WITHIN TOLERANCES
2. MUSHROOM ROOF TERMINAL UNITS MUST BE OFF-LOADED FROM DELIVERY WITH THE PROVIDED "SOFT EYED 6M E.W.L" WEBBING SLINGS S.W.L 1000KG REMOVE 4NO. 300X120X45MM TIMBER FIXED TO BASE OF ROOF TERMINAL PRIOR TO INSTALLATION

MATERIAL:
GRP

FINISH
GELCOAT RAL 7035 (STD)

MASS WITHOUT PACKAGING
150KG

TOLERANCES EXCEPT WHERE OTHERWISE STATED

X	±	0.5MM
XX	±	0.05MM
ANGLES	±	0.5°

SURFACE TEXTURE TO BE 1.6 UMRA OR BETTER

DE-BURR ALL SHARP EDGES AND HOLES ITEM MUST BE FREE FROM SCRATCHES, DENTS AND OTHER BLEMISHES.

DIMENSIONS IN MILLIMETRES



UNIT 3A, THE SHADE, SOHAM, CB7 5HF
T: 01223 450060 F: 01223 450061
www.breathingbuildings.com/products

TITLE:

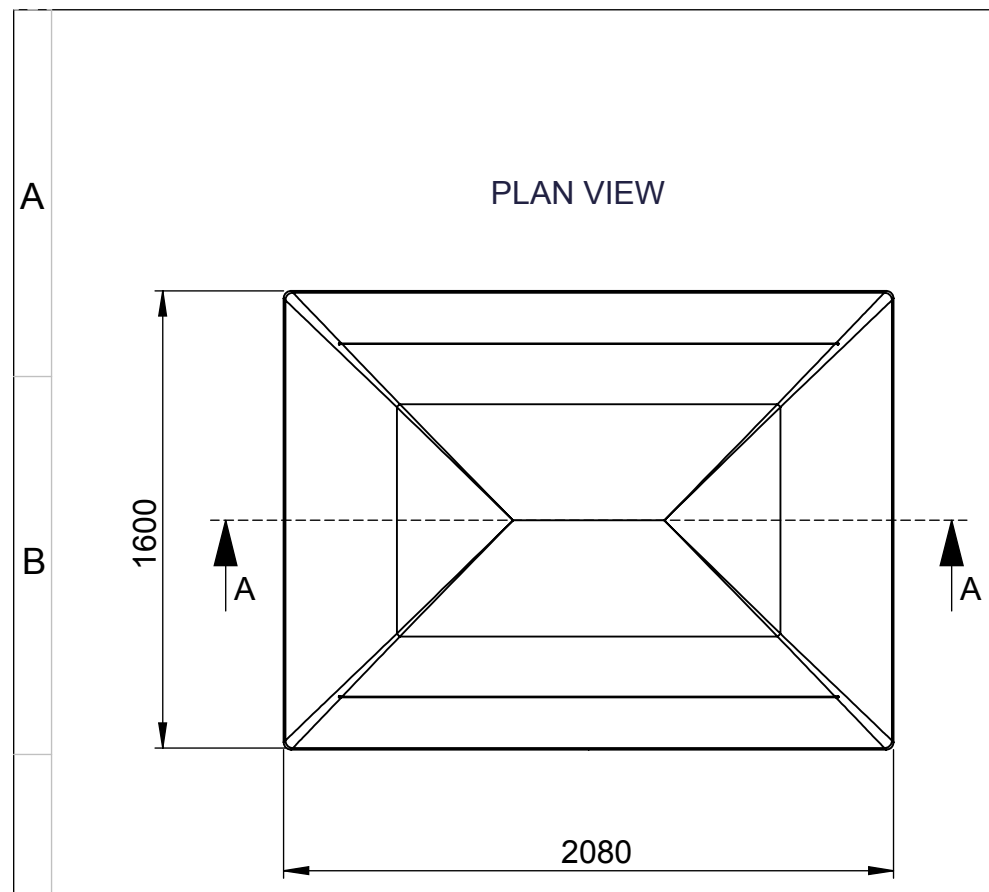
R-SERIES MUSHROOM ROOF TERMINAL

DRAWING NO:

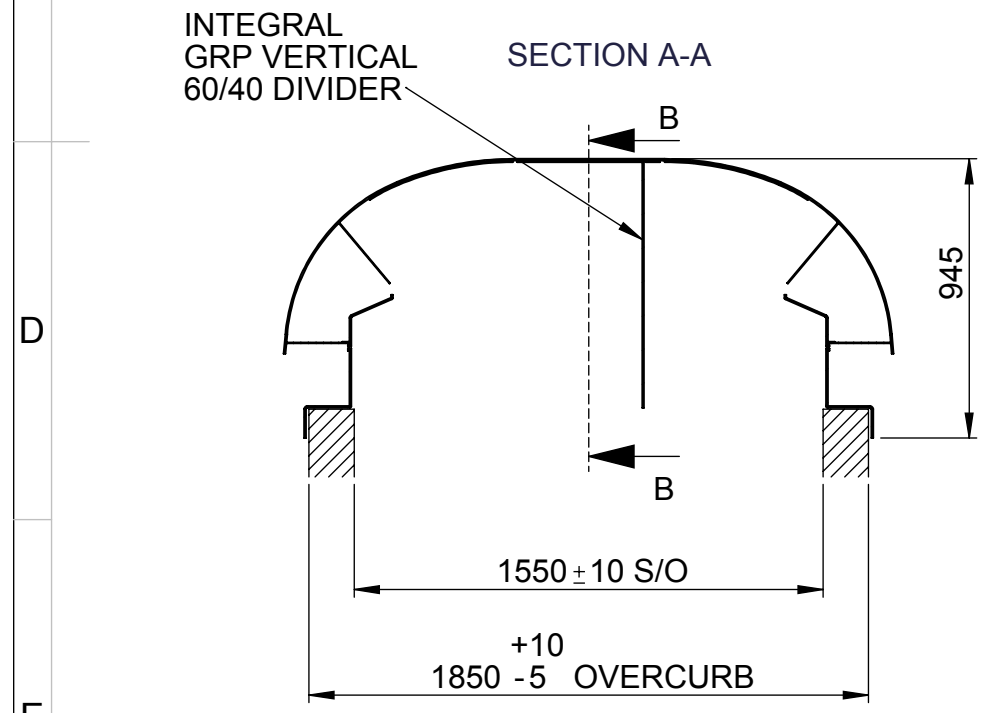
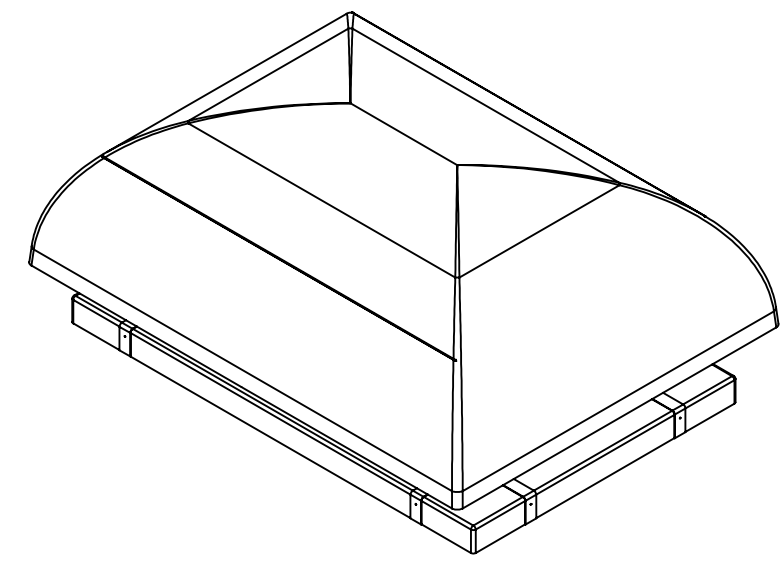
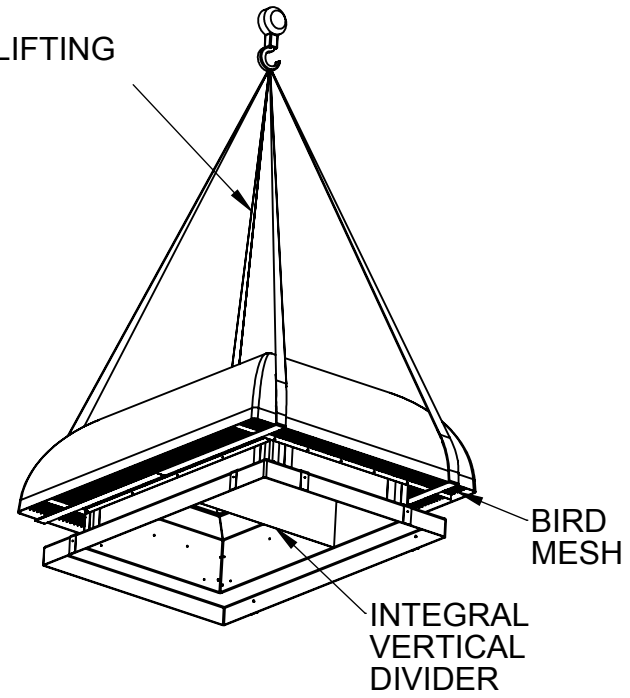
1310_9001

REV	DRAWN	DATE	CHK'D	DATE
6	CC	22/08/2016		

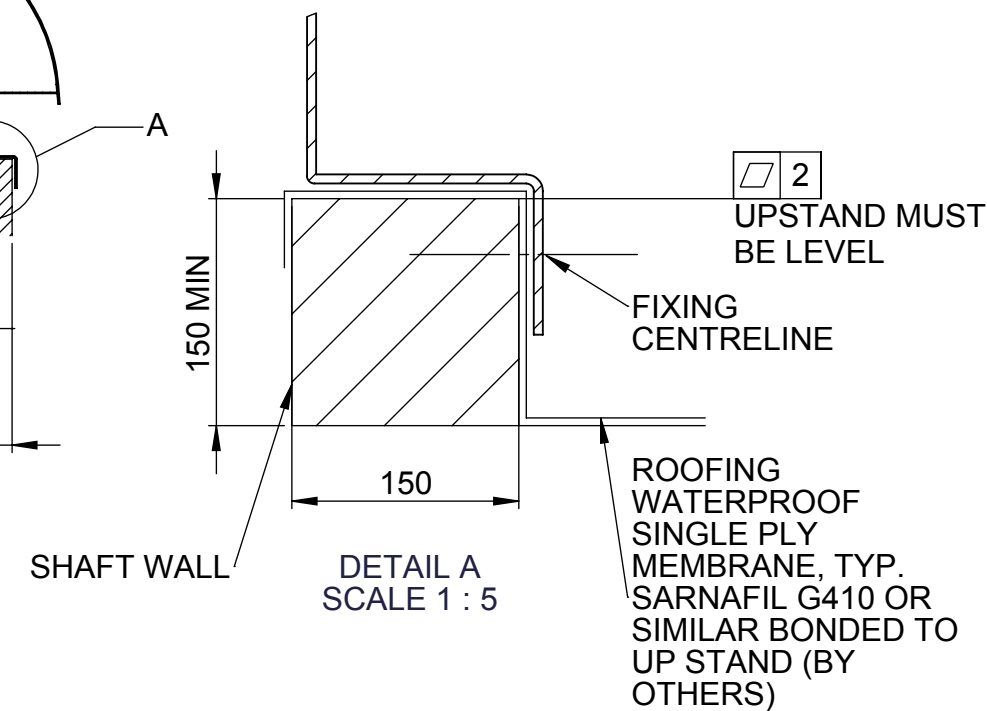
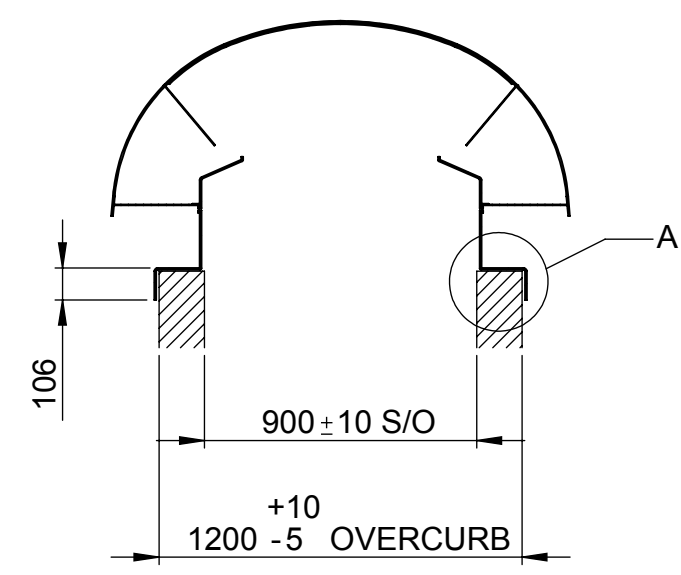
SCALE 1:25 A3 SHEET 1 OF 1



TYPICAL LIFTING METHOD



SECTION B-B



UP-STAND MATERIAL	FIXING
CONCRETE	M6 STAINLESS STEEL RESIN ANCHOR
TIMBER	STAINLESS STEEL M6 BOLT OR 5MM DIA SCREW
STEEL	5MM DIA STAINLESS STEEL SELF-TAPPING SCREW
MASONRY	NOT RECOMMENDED



BREATHING BUILDINGS CONTINUOUSLY WORK TO IMPROVE OUR PRODUCTS. TO ENSURE UP TO DATE DRAWINGS, PLEASE CONTACT BREATHING BUILDINGS.