

DO NOT SCALE

IF IN DOUBT, ASK!

REVISIONS

REV.	DESCRIPTION	DATE	DRAWN
1	FIRST ISSUE	22/12/2014	CC
2	DIMS	22/12/2014	CC

NOTES:

1. COLOUR GOOSEWING GREY (STD), OTHER COLOURS AVAILABLE ON REQUEST.
2. STAINLESS STEEL FITTINGS AND FIXINGS. SUPPLIED FULLY ASSEMBLED.
- 3.

TOLERANCES EXCEPT WHERE OTHERWISE STATED

X	±	0.5MM
X.XX	±	0.05MM
ANGLES	±	0.5°

SURFACE TEXTURE TO BE 1.6 UMRA OR BETTER

DE-BURR ALL SHARP EDGES AND HOLES. ITEM MUST BE FREE FROM SCRATCHES, DENTS AND OTHER BLEMISHES.

DIMENSIONS IN MILLIMETRES



UNIT 3A, THE SHADE, SOHAM CB7 5HF
T: 01223 450060 F: 01223 450061
WWW.BREATHINGBUILDINGS.COM

TITLE:

MUSHROOM ROOF TERMINAL (TYPE S600, S800 AND S1000)

DRAWING NO:

1207_9001_02

MATERIAL: STYROSUN H.I.P.S.

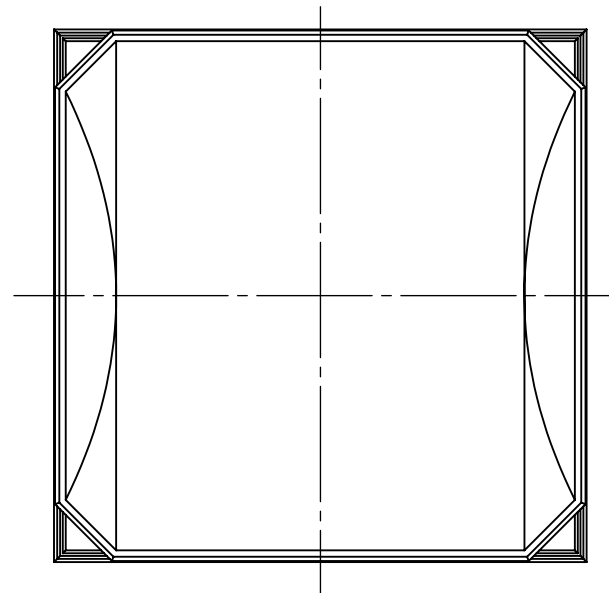
FINISH: GOOSEWING GREY (STD)

REV DRAWN DATE CHK'D DATE

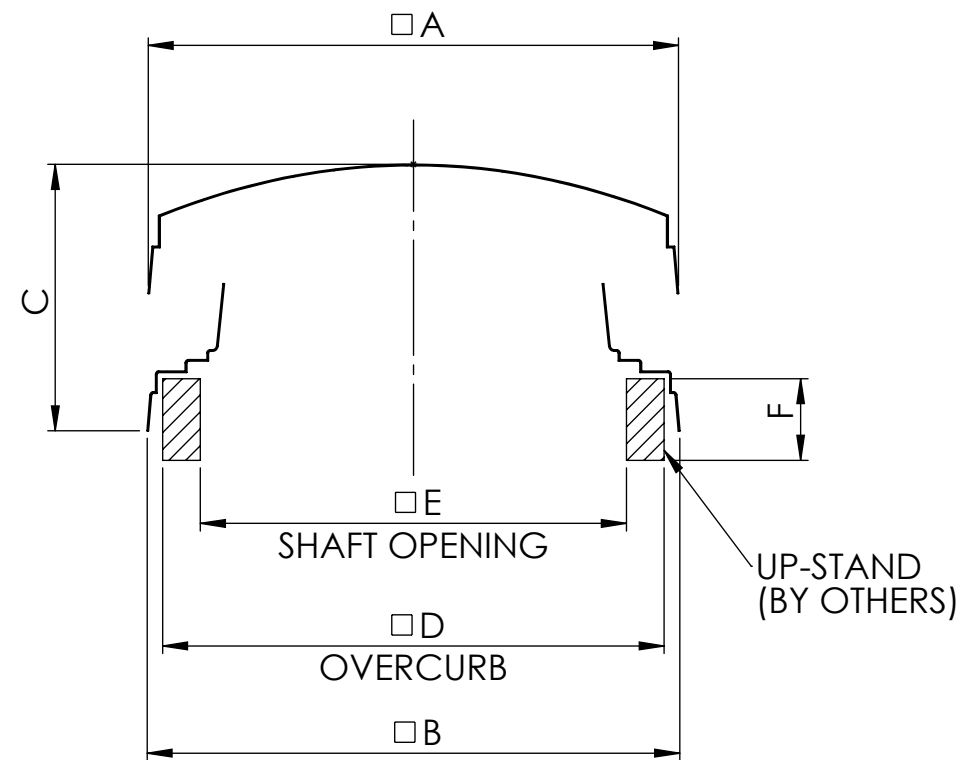
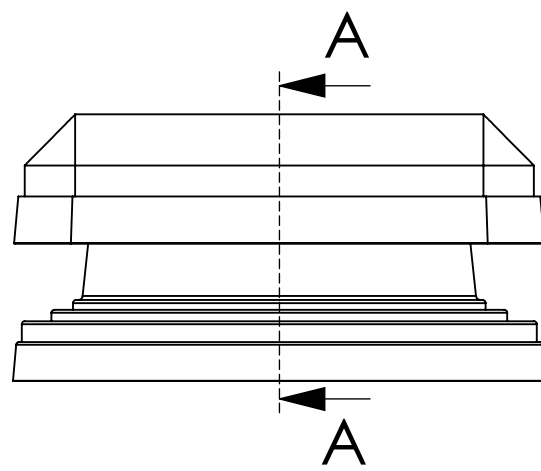
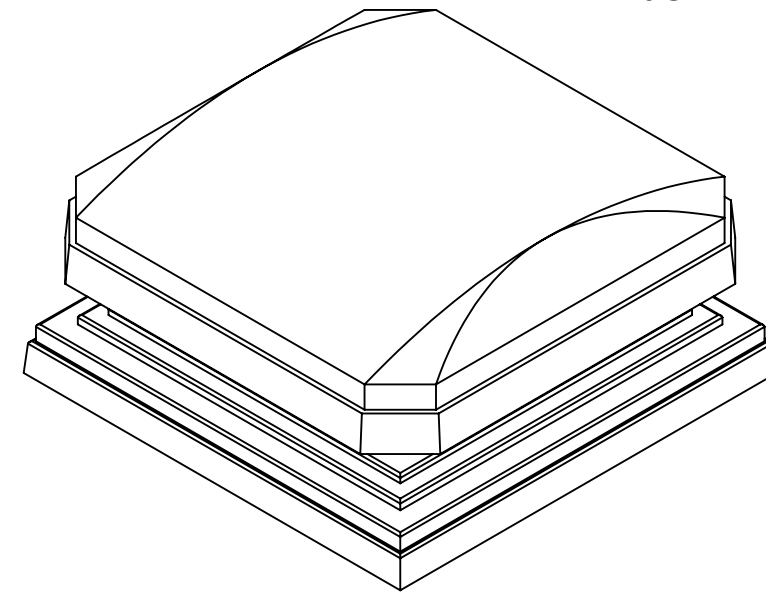
2	CC	22/12/2014		
---	----	------------	--	--

SCALE 1:20 A3 SHEET 1 OF 1

PLAN VIEW



ISOMETRIC



SECTION A-A

TYPE	A	B	C	D	E	F	WEIGHT
S600	1000	1000	466	850	600	150	15KG
S800	1100	1100	608	990	800	150	18KG
S1000	1403	1403	705	1300	1000	150	25KG