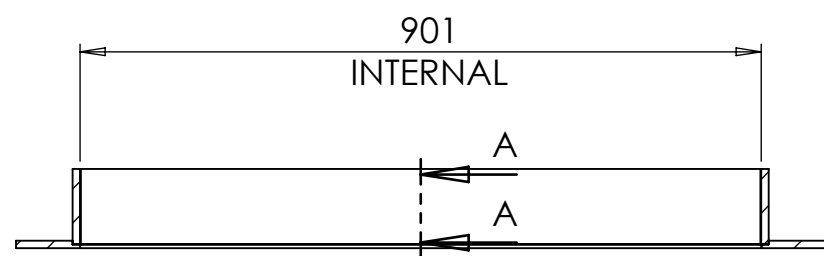
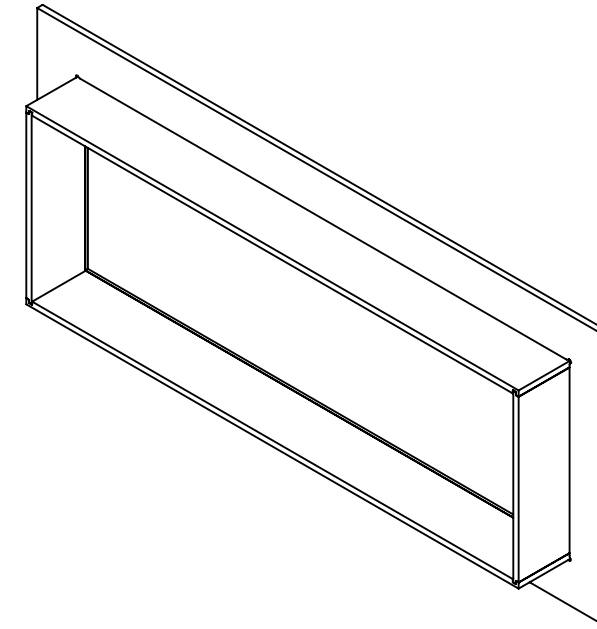
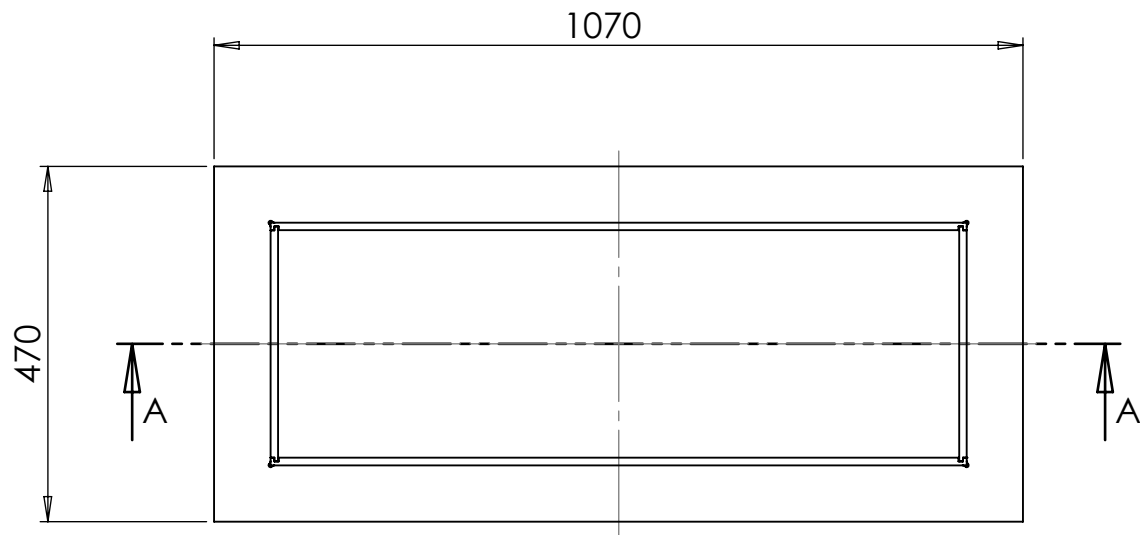


DO NOT SCALE

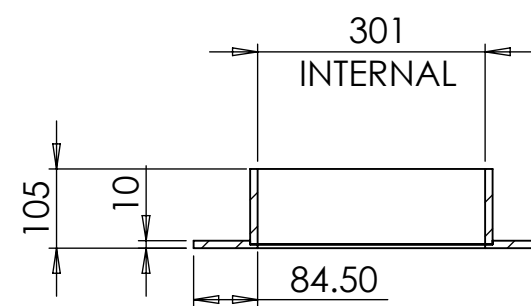
IF IN DOUBT, ASK!

REVISIONS

REV.	DESCRIPTION	DATE	DRAWN
------	-------------	------	-------



SECTION A-A



SECTION A-A



MATERIAL:
RIGID PVC FOAM BOARD, CLASS 1Y
FIRE RETARDANT

FINISH
SATIN WHITE

MASS WITHOUT PACKAGING

TOLERANCES EXCEPT WHERE OTHERWISE STATED

X	±	0.5MM
X.XX	±	0.05MM
ANGLES	±	0.5°

SURFACE TEXTURE TO BE 1.6 UMRA OR BETTER

DE-BURR ALL SHARP EDGES AND HOLES
ITEM MUST BE FREE FROM SCRATCHES, DENTS AND
OTHER BLEMISHES.

DIMENSIONS IN MILLIMETRES



15 STURTON STREET, CAMBRIDGE, CB1 2SN
T: 01223 450060 F: 01223 450061
www.breathingbuildings.com/products

TITLE:
NVHR WALL SLEEVE

DRAWING NO:
1503_9004

REV	DRAWN	DATE	CHK'D	DATE
	CC	10/06/2015		

SCALE 1:10 A3 SHEET 1 OF 1

BREATHING BUILDINGS CONTINUOUSLY WORK TO IMPROVE OUR PRODUCTS. TO ENSURE UP TO DATE DRAWINGS, PLEASE CONTACT BREATHING BUILDINGS.