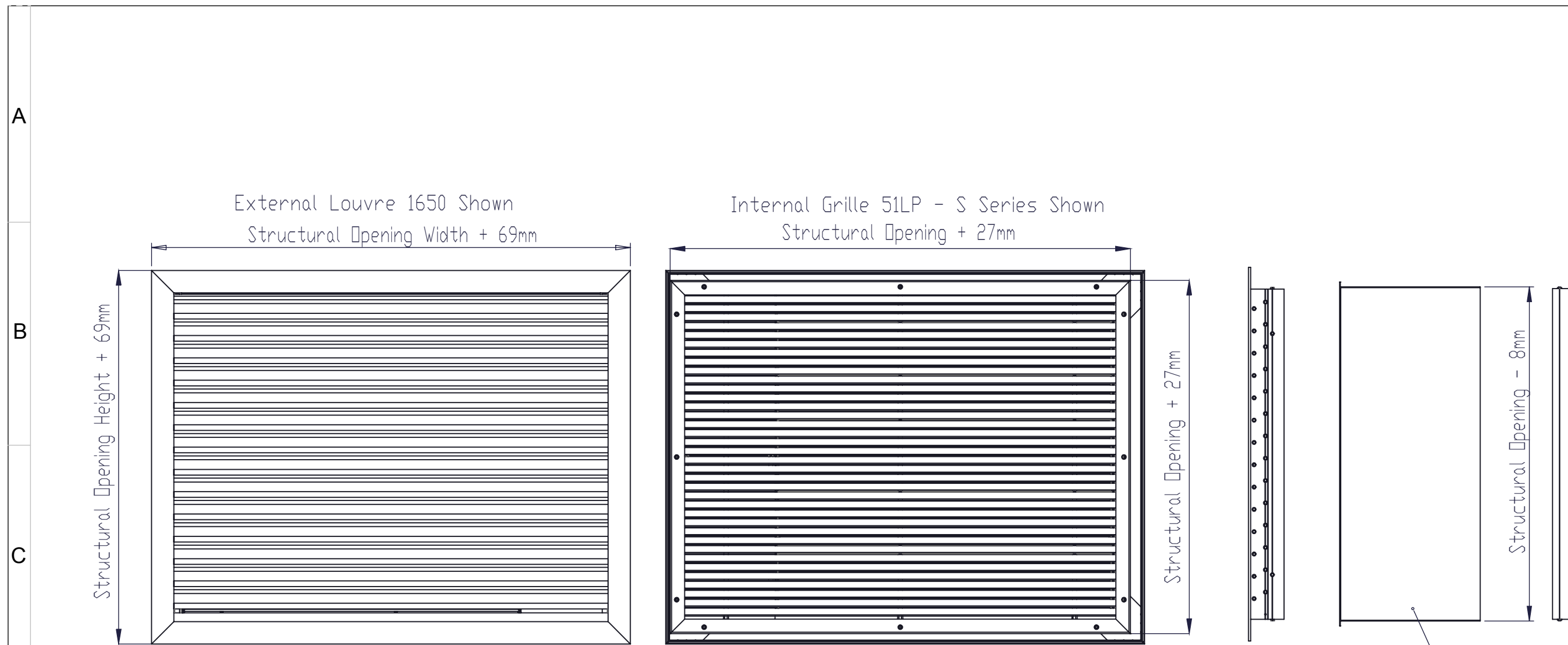
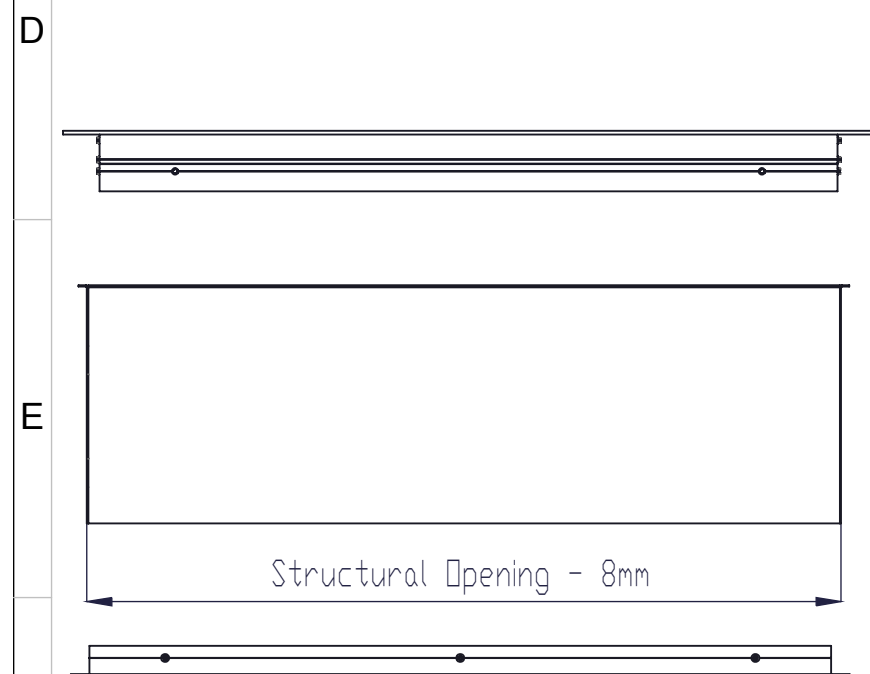


**DO NOT SCALE  
IF IN DOUBT, ASK!**



15 degree deflection on both Louvre and Grille (standard)



**Size Extremities For Single Section**

- A. Structural Opening Width = Airway Opening Width + 248mm
- B. Structural Opening Height = Airway Opening Height + 58mm (+ Spacer Sill if required)
- C. Minimum Structural Opening Width = 448mm
- D. Maximum Structural Opening Width = 1483mm
- E. Minimum Structural Opening Height = 408mm with SF24A and IP Junction Box  
Minimum Structural Opening Height = 320mm with SF24A and no IP Box  
Minimum Structural Opening Height = 258mm with horizontal Actuator (will protrude non flange side when using standard case depth) using SF24A
- F. Maximum Structural Opening Height = 1483mm
- G. Maximum Airway Width = 1235mm
- H. Maximum Airway Height = 1425mm

\* For values exceeding the maximum limits note that the damper will be classed as a multi section and consist of these single units joined together see drawing CD TVU AS008 for details:



MATERIAL:				
FINISH				
MASS WITHOUT PACKAGING				
TOLERANCES EXCEPT WHERE OTHERWISE STATED				
X	±	0.5MM		
X.XX	±	0.05MM		
ANGLES	±	0.5°		
SURFACE TEXTURE TO BE 1.6 UMRA OR BETTER				
DE-BURR ALL SHARP EDGES AND HOLES ITEM MUST BE FREE FROM SCRATCHES, DENTS AND OTHER BLEMISHES.				
DIMENSIONS IN MILLIMETRES				
15 STURTON STREET, CAMBRIDGE, CB1 2SN T: 01223 450060 F: 01223 450061 www.breathingbuildings.com/products				
TITLE:				
<b>2200 Series, 2200 Single Section with 51LP and 1650</b>				
DRAWING NO:				
<b>BB CD TVU AS007 B</b>				
REV	DRAWN	DATE	CHK'D	DATE
SCALE 1:10		A3	SHEET 1 OF 2	

BREATHING BUILDINGS CONTINUOUSLY WORK TO IMPROVE OUR PRODUCTS. TO ENSURE UP TO DATE DRAWINGS, PLEASE CONTACT BREATHING BUILDINGS.

**DO NOT SCALE**  
**IF IN DOUBT, ASK!**

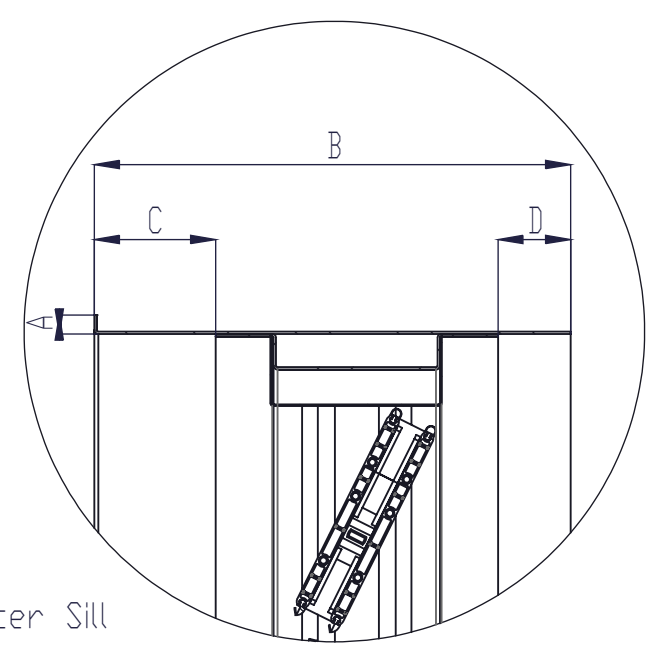
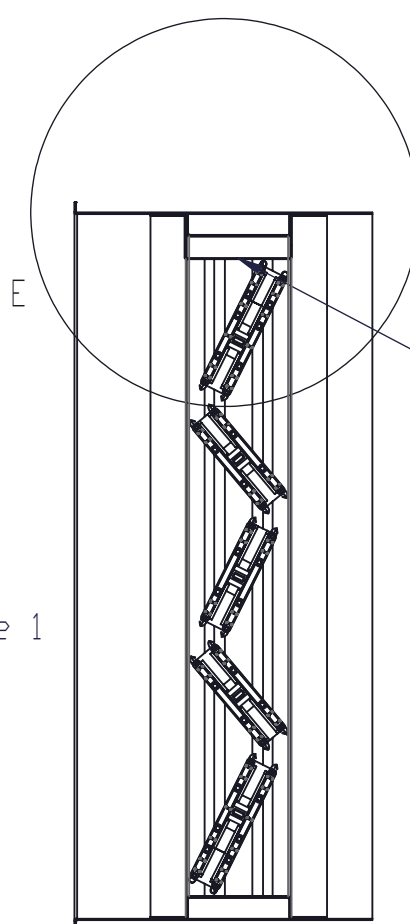
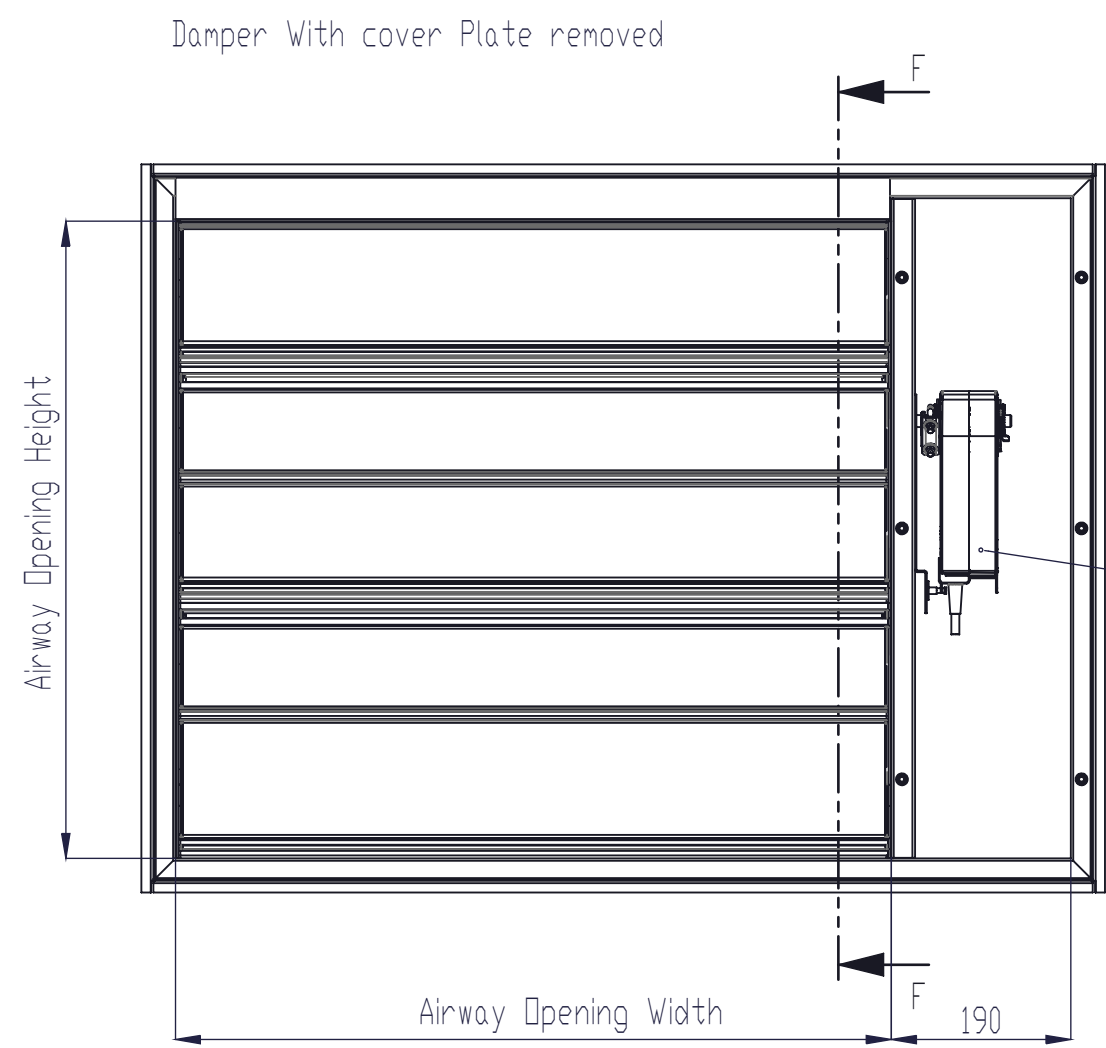
Exterior Sleeve Flange A Variable (mm)	Sleeve Width B Variable (mm)	Louvre Section C Variable (mm)	Grille Section D Variable (mm)
12.5 (std) can be removed	315 (std) min 187	80 (std) can be removed	48 (std) can be removed

When ordering always confirm A,B,C and D if the standard size (std) is not desired  
 If 1650 louvre required C min = 80mm  
 If Grille required D min = 48mm  
 $B=187+C+D$

Notes;

1. Belimo SF24A-SR Shown (right-hand shown looking from front/external side of damper)
2. Damper to be installed with blades horizontal
3. Dampers to be fitted with 200 C Oilite Bearings
4. Damper is stitch welded (25mm of weld every 75mm centrally within sleeve)
5. All surfaces where damper frame & sleeve touch to be fully sealed
6. Cover plates fitted both sides. (All cover plates to be removable)
7. Access holes for cables to be drilled on site. (By others)
8. Dampers can be fitted with IP rated junction box on inside of cover plate furthest from turnback side. Junction box to be as low as possible within enclosure (not shown)
9. R/H Drive shown, L/H available (right-hand shown looking from front/external side of damper)
10. Cover Plate inside rim can be sealed with 19mm x 3.5mm sealing strip (Not Standard)

Customer Input	
Data	Required
S/O Height	
S/O Width	
Grille	<input type="checkbox"/>
Louvre	<input type="checkbox"/>
Flange	<input type="checkbox"/>
Flange A	
Width B	
Louvre C	
Grille D	



DETAIL E  
SCALE 1 : 5

Blade Material: Aluminium Extrusion 6063 T6  
 Frame & Sleeve material: 1.6mm Galvanised Mild Steel (To BS EN 10346:2009)

Min structural opening Height with Actuator installed and Junction Box Fitted 408mm dependent on actuator used and damper height.



MATERIAL:  
 FINISH  
 MASS WITHOUT PACKAGING  
 TOLERANCES EXCEPT WHERE OTHERWISE STATED  
 X XX ± 0.5MM  
 ANGLES ± 0.5°  
 SURFACE TEXTURE TO BE 1.6 UMRA OR BETTER  
 DE-BURR ALL SHARP EDGES AND HOLES ITEM MUST BE FREE FROM SCRATCHES, DENTS AND OTHER BLEMISHES.

**Breathing Buildings**  
 15 STURTON STREET, CAMBRIDGE, CB1 2SN  
 T: 01223 450060 F: 01223 450061  
 www.breathingbuildings.com/products

TITLE:

DRAWING NO:  
**BB CD TVU AS007 B**

REV	DRAWN	DATE	CHK'D	DATE

SCALE 1:8      A3      SHEET 2 OF 2

BREATHING BUILDINGS CONTINUOUSLY WORK TO IMPROVE OUR PRODUCTS. TO ENSURE UP TO DATE DRAWINGS, PLEASE CONTACT BREATHING BUILDINGS.