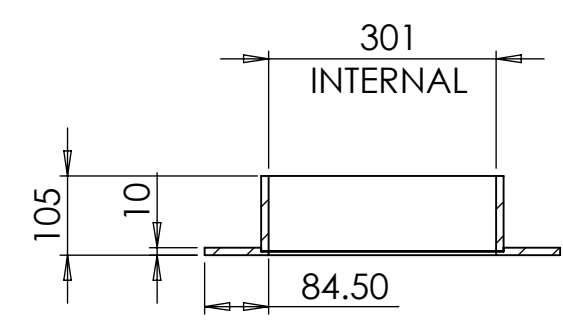


SECTION A-A



SECTION B-B

DO NOT SCALE

IF IN DOUBT, ASK!

REVISIONS

REV.	DESCRIPTION	DATE	DRAWN
------	-------------	------	-------

MATERIAL:
10MM FOAMALUX

FINISH
SATIN

MASS WITHOUT PACKAGING

TOLERANCES EXCEPT WHERE OTHERWISE STATED

X	±	0.5MM
X.XX	±	0.05MM
ANGLES	±	0.5°

SURFACE TEXTURE TO BE 1.6 UMRA OR BETTER
DE-BURR ALL SHARP EDGES AND HOLES
ITEM MUST BE FREE FROM SCRATCHES, DENTS AND
OTHER BLEMISHES.

DIMENSIONS IN MILLIMETRES



15 STURTON STREET, CAMBRIDGE, CB1 2SN
T: 01223 450060 F: 01223 450061
www.breathingbuildings.com/products

TITLE:
NVHR 1A WALL SLEEVE

DRAWING NO:
1503_9004

REV	DRAWN	DATE	CHK'D	DATE
-----	-------	------	-------	------

CC	10/06/2015			
----	------------	--	--	--

SCALE 1:10 A3 SHEET 1 OF 1



1 2 3 4 5 6 7

BREATHING BUILDINGS CONTINUOUSLY WORK TO IMPROVE OUR PRODUCTS. TO ENSURE UP TO DATE DRAWINGS, PLEASE CONTACT BREATHING BUILDINGS.