

DO NOT SCALE

IF IN DOUBT, ASK!

REVISIONS

ZONE	REV.	DESCRIPTION	DATE	APPROVED

NOTES:

1. COMPATIBLE WITH S1500L E-STACK.
2. DO NOT LIFT BY LOUVRE BLADES.

TOLERANCES EXCEPT WHERE OTHERWISE STATED

X	±	0.5MM
X.XX	±	0.05MM
ANGLES	±	0.5°

SURFACE TEXTURE TO BE 1.6 UMRA OR BETTER

DE-BURR ALL SHARP EDGES AND HOLES. ITEM MUST BE FREE FROM SCRATCHES, DENTS AND OTHER BLEMISHES.

DIMENSIONS IN MILLIMETRES



15 STURTON STREET, CAMBRIDGE, CB1 2SN
T: 01223 450060 F: 01223 450061
WWW.BREATHINGBUILDINGS.COM

TITLE:

S1500L PENTHOUSE LOUVRE ROOF TERMINAL (BBL)

DRAWING NO:

1408_9101

MATERIAL: ALUMINIUM

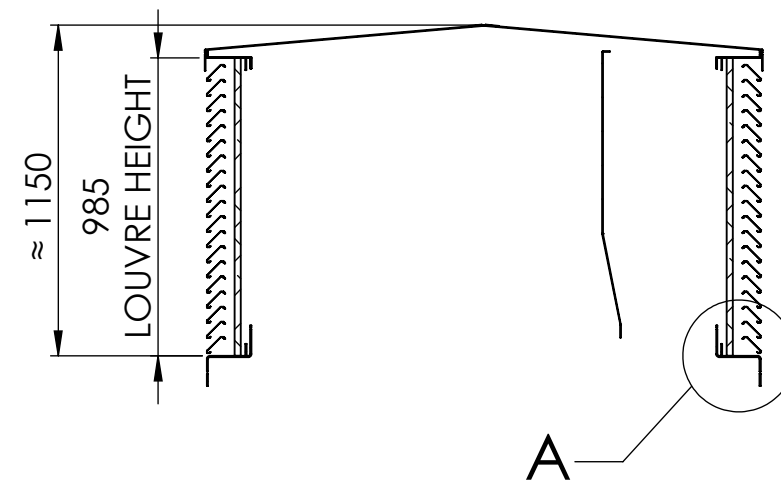
FINISH: MILL (STD) OR POWDER COAT

REV DRAWN DATE CHK'D DATE

CC 06/07/2015

SCALE 1:25 A3 SHEET 1 OF 1

CROSS SECTION VIEW



A

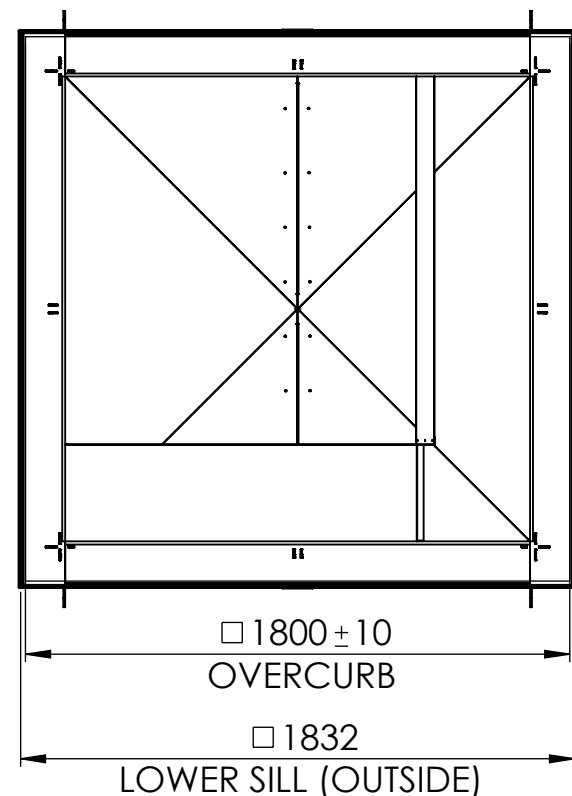
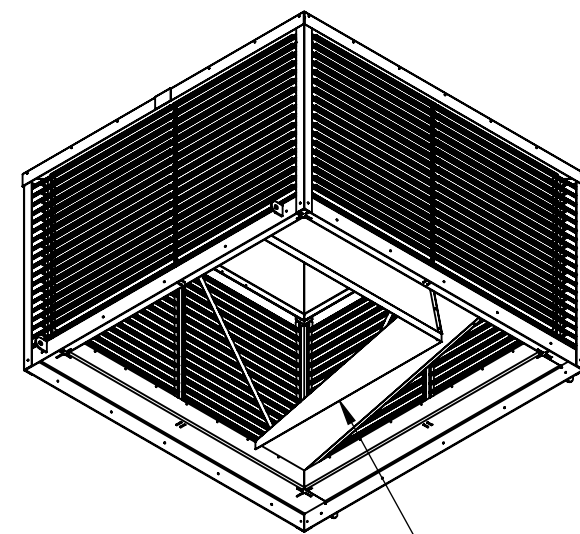
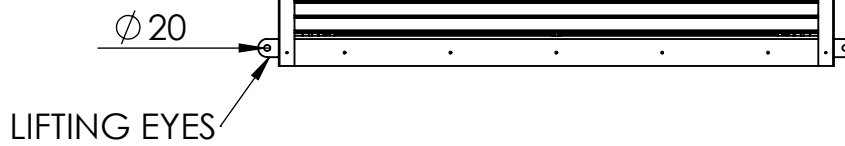
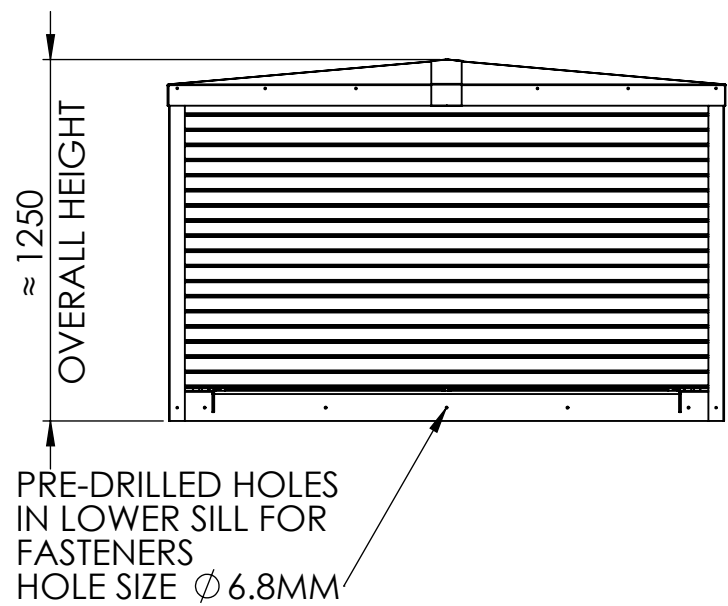
B

C

D

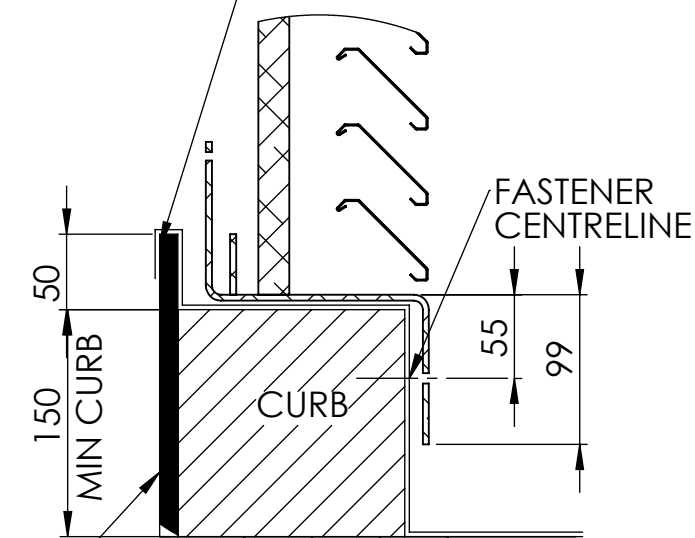
E

F



INTEGRAL "L" DIVIDER

ROOF WATERPROOF SINGLE PLY. MEMBRANE TYP. SARNAFIL G410 OR SIMILAR, BONDED TO UP-STAND (BY OTHERS)



50MM WEATHER LIP, TYP. 12MM MARINE PLYWOOD OR SIMILAR, FIXED TO INNER SHAFT (BY OTHERS)

DETAIL A
SCALE 1 : 5

UPSTAND MATERIAL	FASTENER TYPE
CONCRETE	M6 STAINLESS STEEL RESIN ANCHOR
TIMBER	M6 STAINLESS STEEL BOLT OR 5MM DIA SCREW
STEEL	5MM DIA STAINLESS STEEL SELF-TAPPING SCREW
MASONARY	NOT RECOMMENDED