

DO NOT SCALE

IF IN DOUBT, ASK!

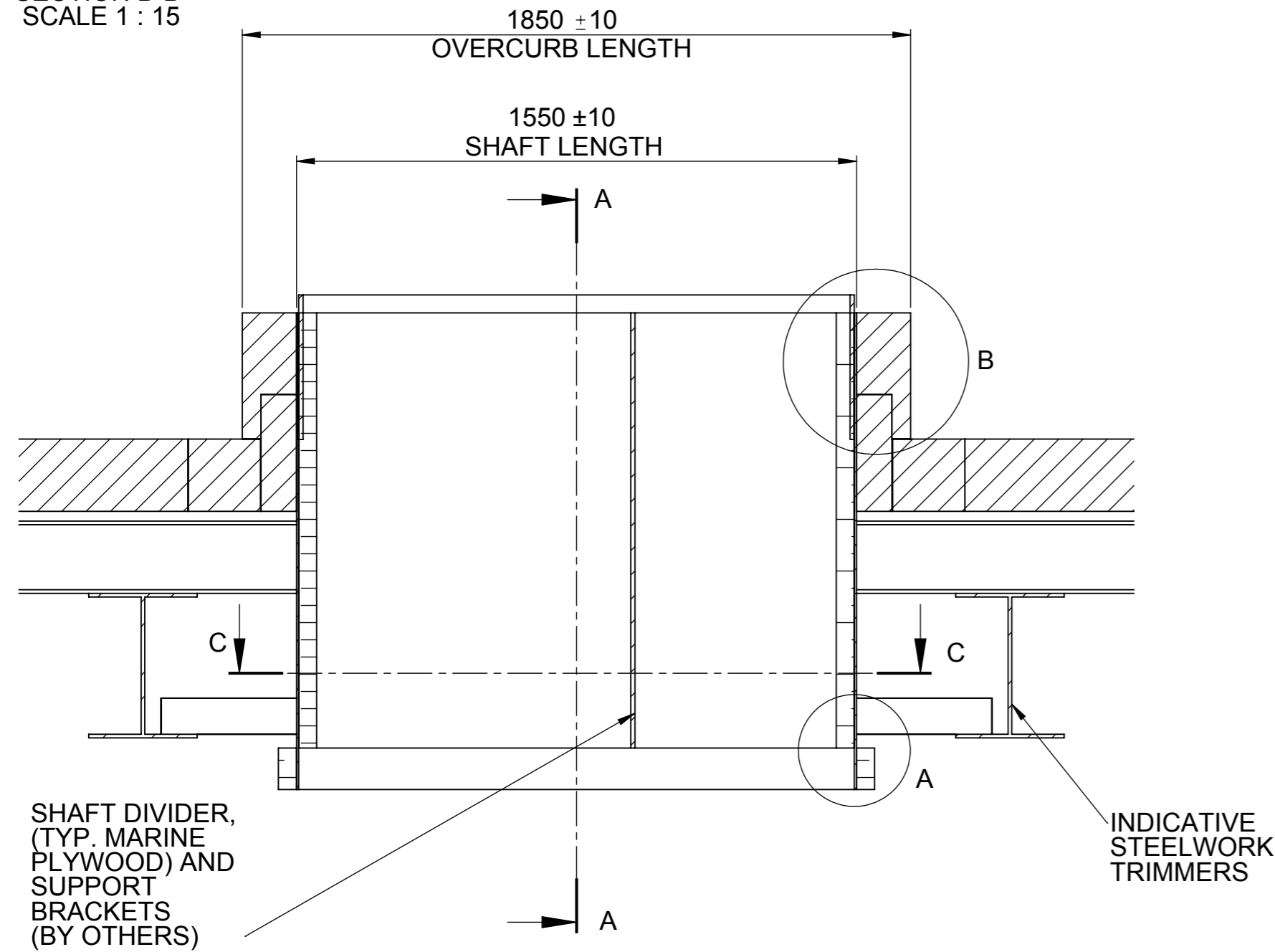
REVISIONS

REV.	DESCRIPTION	DATE	DRAWN

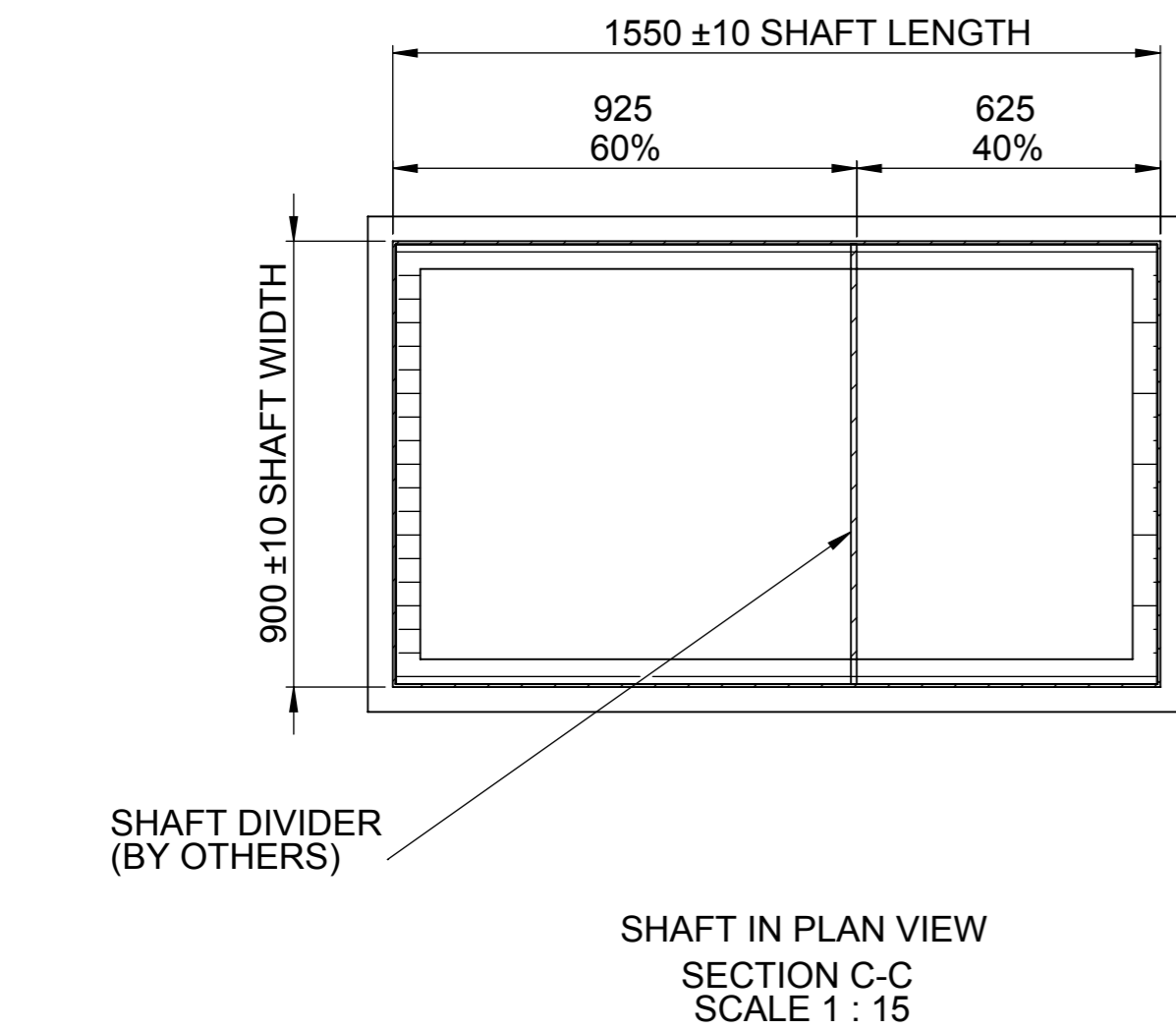
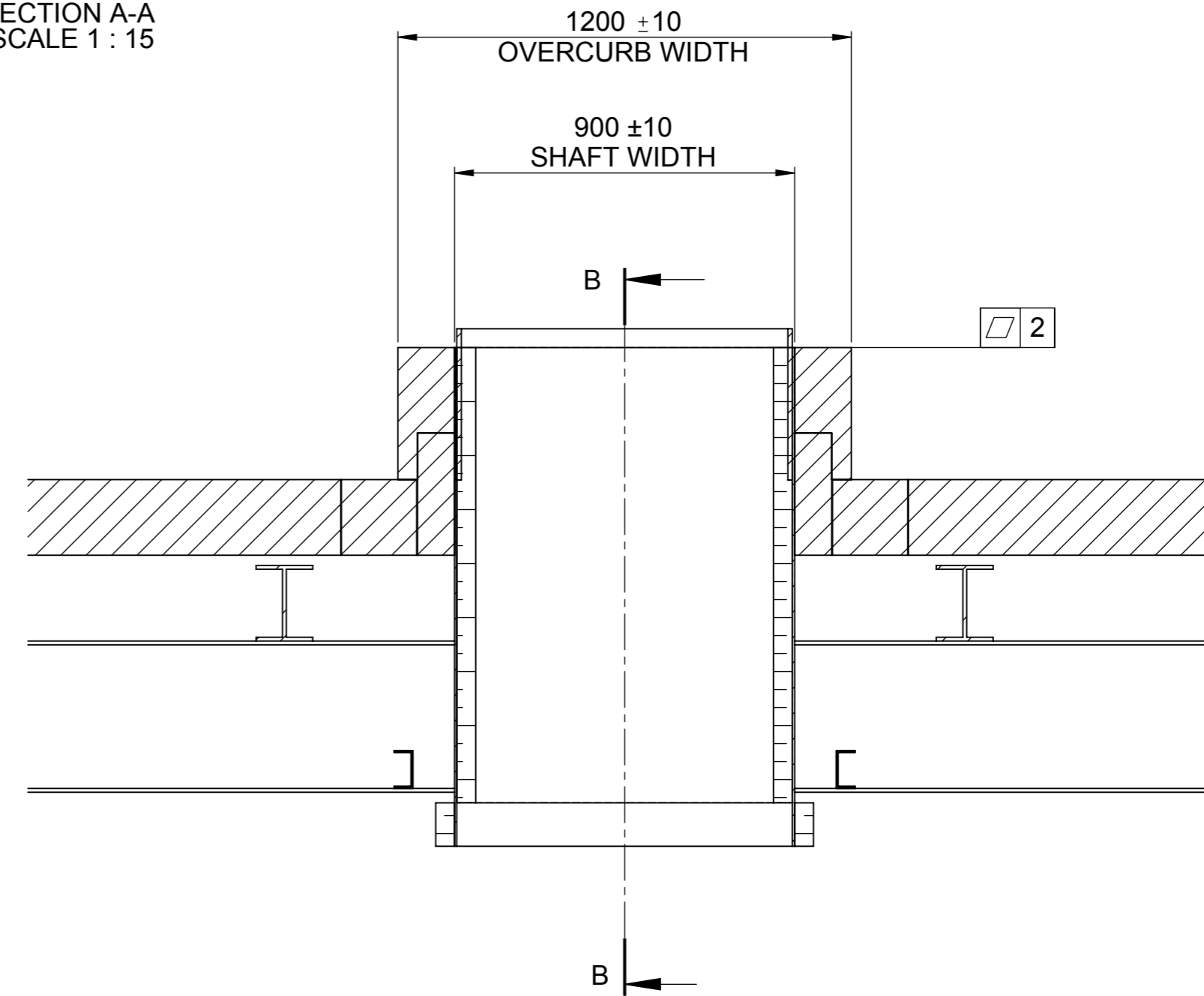
NOTES:

1. THE SIZING AND DETAILED DESIGN OF THE LOAD-BEARING SUPPORTS MUST BE SPECIFIED AND SIGNED OFF BY THE STRUCTURAL ENGINEER FOR THE PROJECT.
2. BUILDERS TO CHECK STRUCTURAL OPENING AND REPORT TO BREATHING BUILDINGS IF NOT WITHIN TOLERANCES.
3. MIXED AIR DELIVERY HANDING TO BE CONFIRMED PRIOR TO ORDER - TYPE B STANDARD.
4. DIVIDER TO BE ALIGNED WITH SIMILAR DIVIDER IN SHAFT AND ROOF TERMINAL DURING INSTALLATION TO CREATE TWO AIR PATHWAYS.
5. R-SERIES MUST BE INSTALLED ON THE HORIZONTAL PLANE.
6. IF UNIT IS POSITIONED LESS THAN 2.7M ABOVE GROUND, FINGER GUARD GRILLES MUST BE USED.

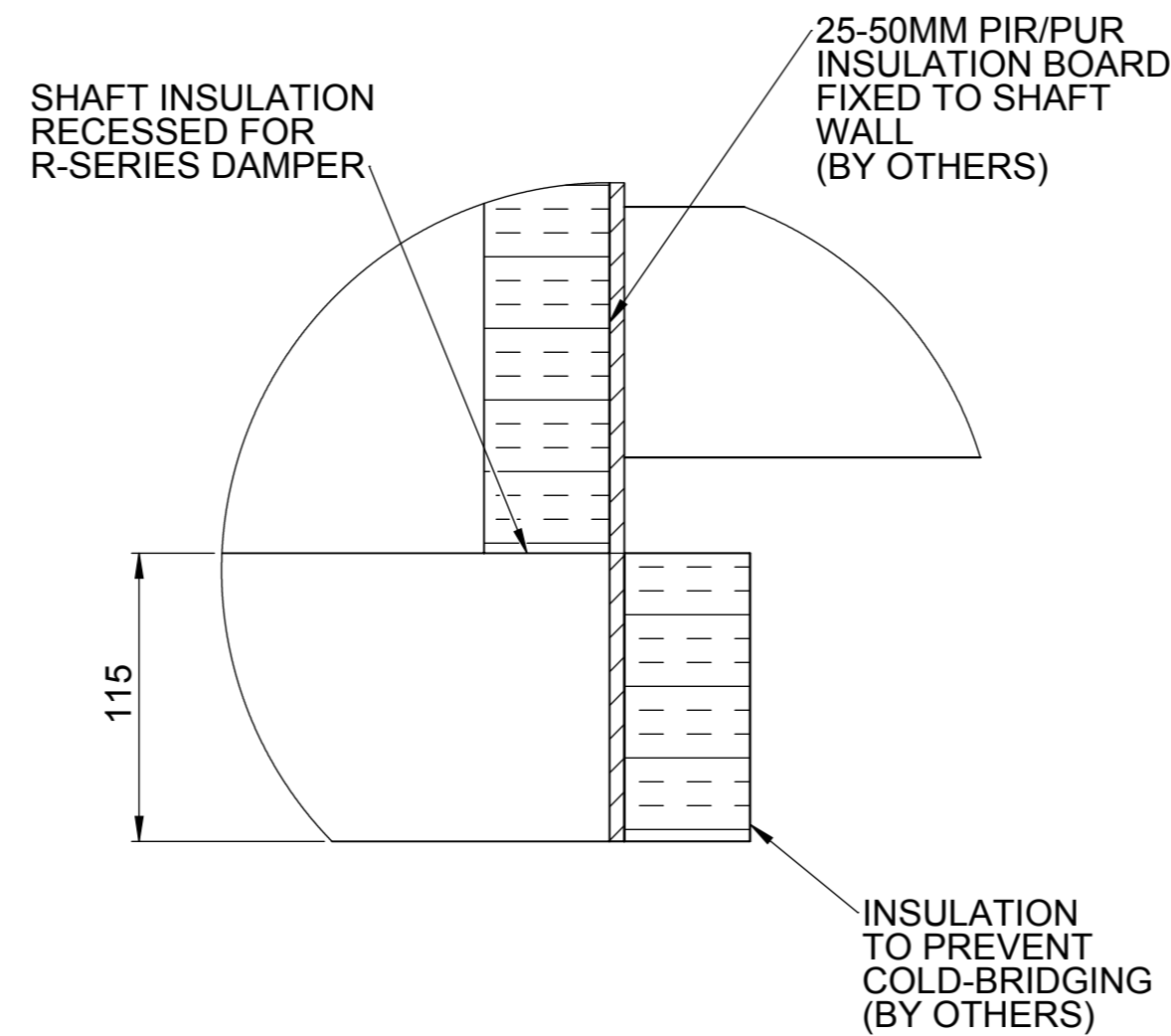
SECTION B-B
SCALE 1 : 15



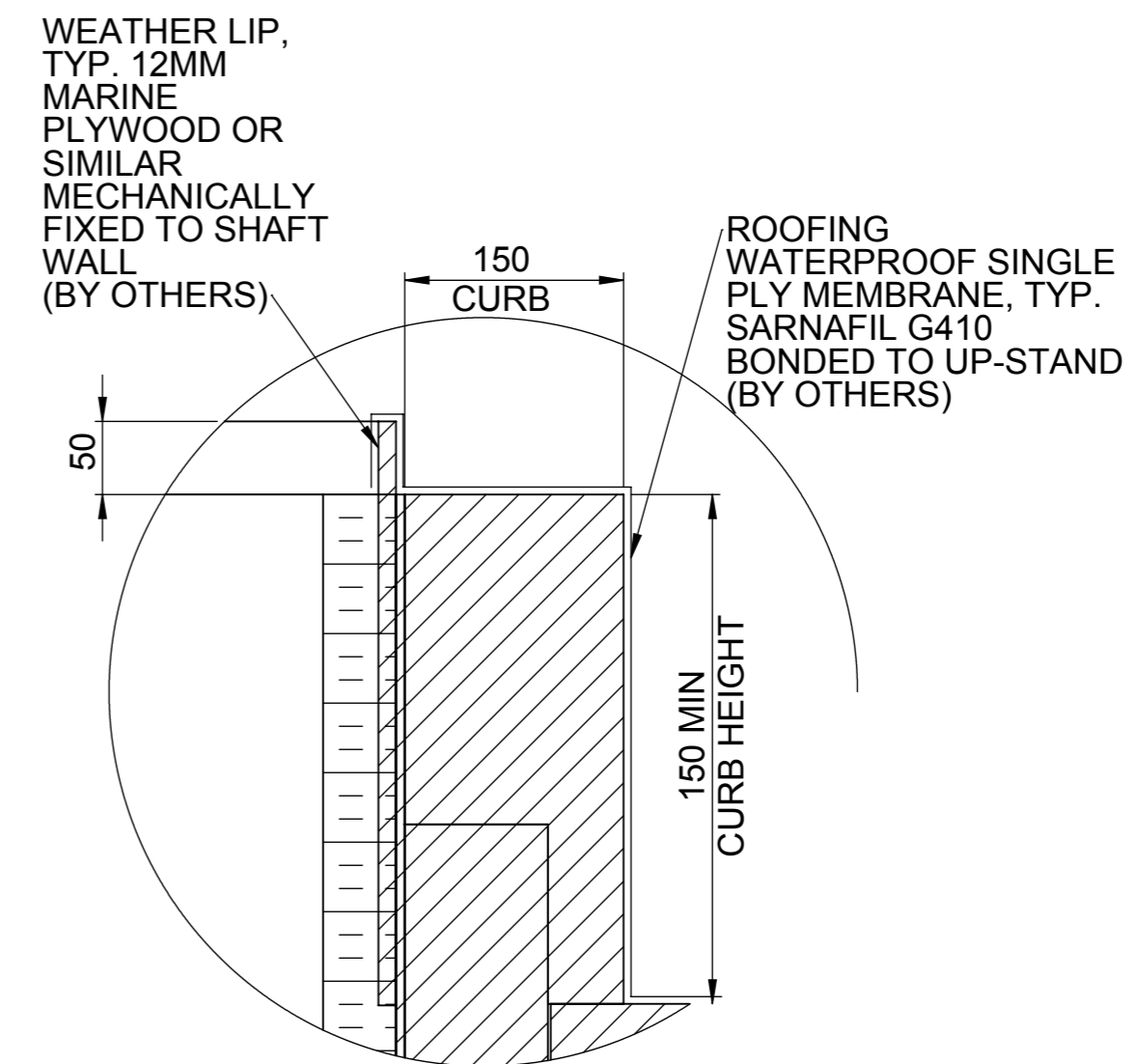
SECTION A-A
SCALE 1 : 15



SHAFT IN PLAN VIEW
SECTION C-C
SCALE 1 : 15



DETAIL A
SCALE 1 : 3



DETAIL B
SCALE 1 : 5

MATERIAL:
N/A

FINISH
N/A

MASS WITHOUT PACKAGING
N/A

TOLERANCES EXCEPT WHERE OTHERWISE STATED

X	:	0.5MM
X.XX	:	0.05MM
ANGLES	:	0.5°

SURFACE TEXTURE TO BE 1.6 UMRA OR BETTER

DE-BURR ALL SHARP EDGES AND HOLES. ITEM MUST BE FREE FROM SCRATCHES, DENTS AND OTHER BLEMISHES.

DIMENSIONS IN MILLIMETRES



15 STURTON STREET, CAMBRIDGE, CB1 2SN
T: 01223 450090 F: 01223 450061
www.breathingbuildings.com/products

TITLE:
R-SERIES E-STACK WITH R-SERIES PENTHOUSE LOUVRE ROOF TERMINAL INSTALLATION GA

DRAWING NO:
1332_9202

REV	DRAWN	DATE	CHKD	DATE
	CC	06/04/2015		

SCALE 1:15 A2 SHEET 1 OF 3

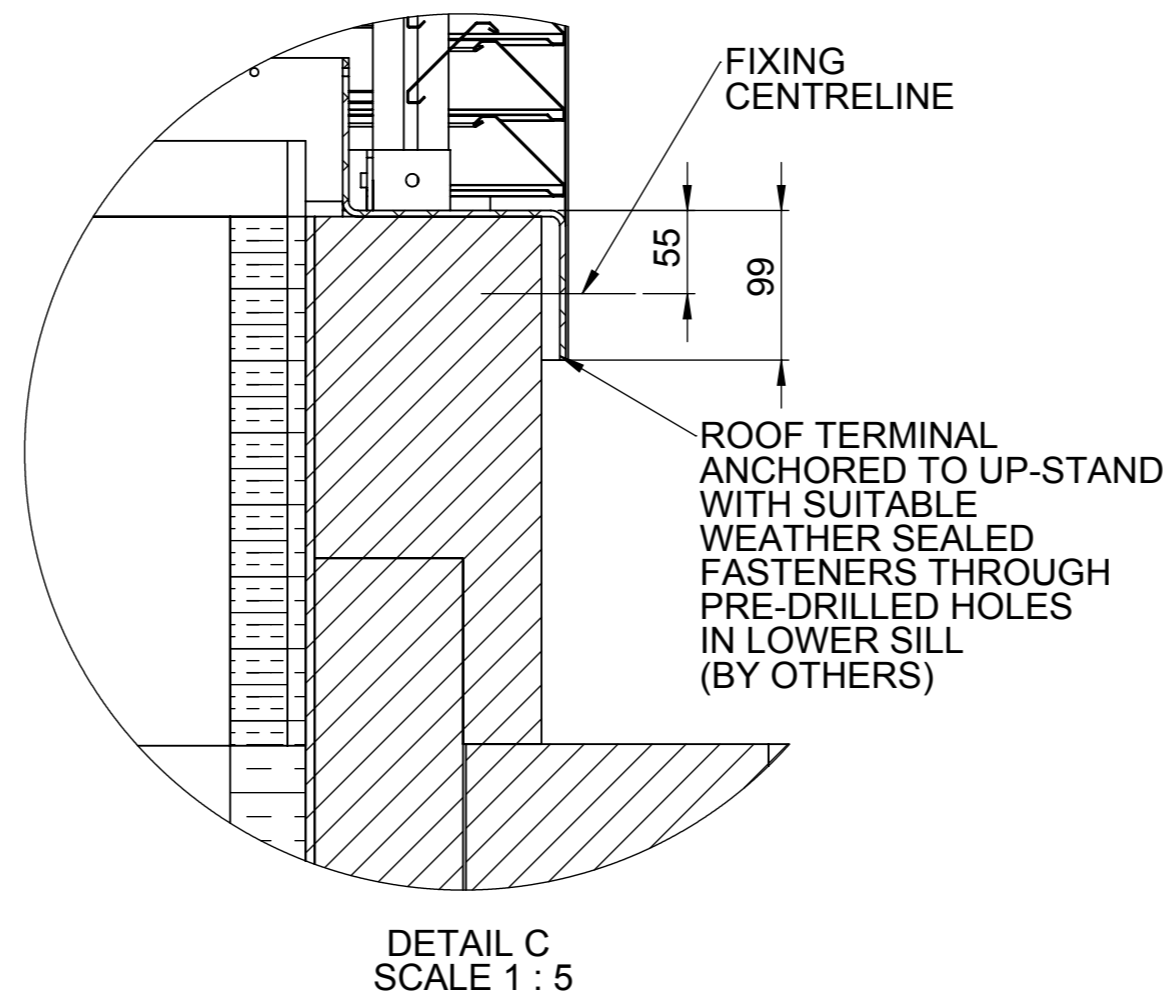
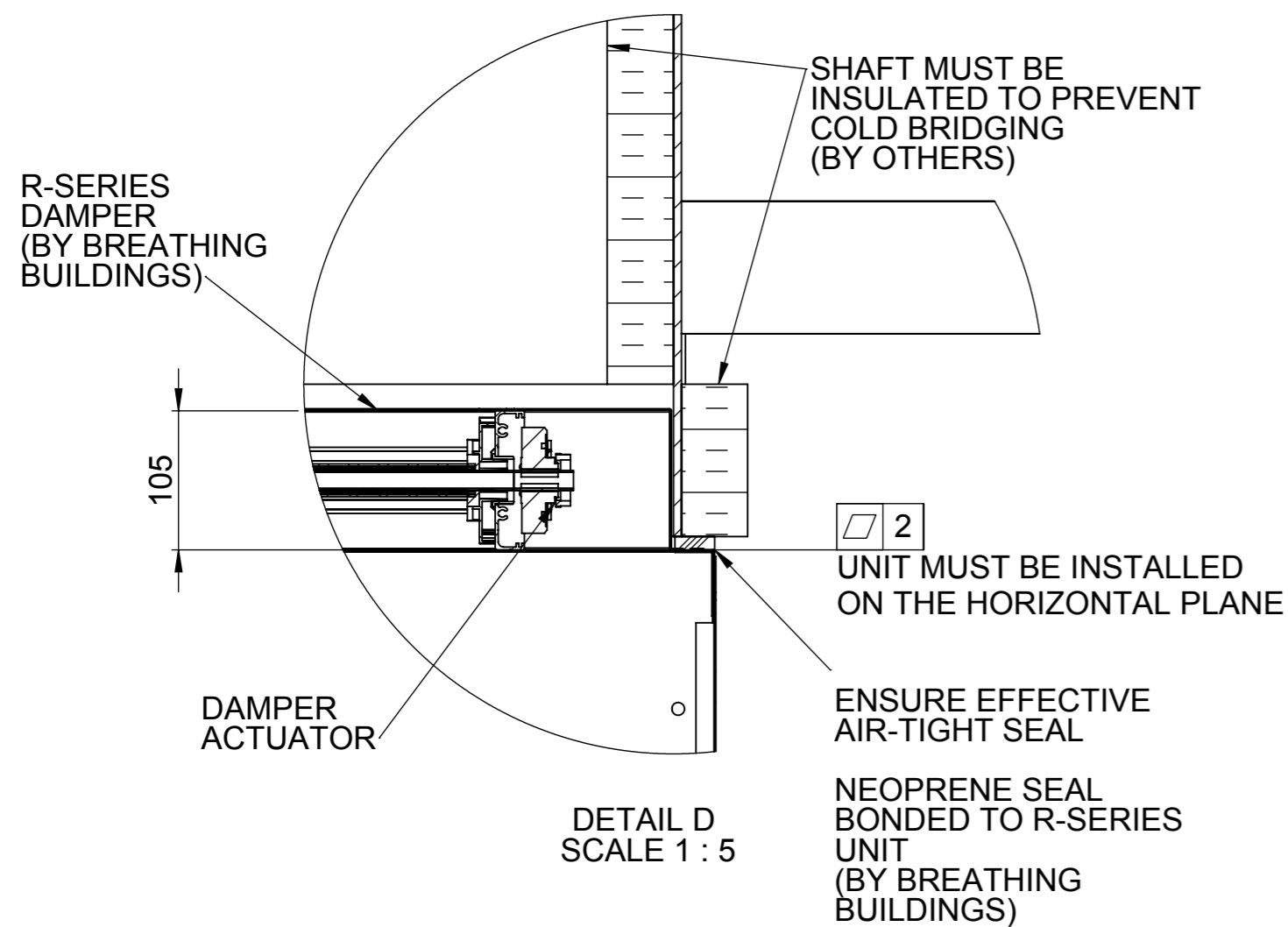
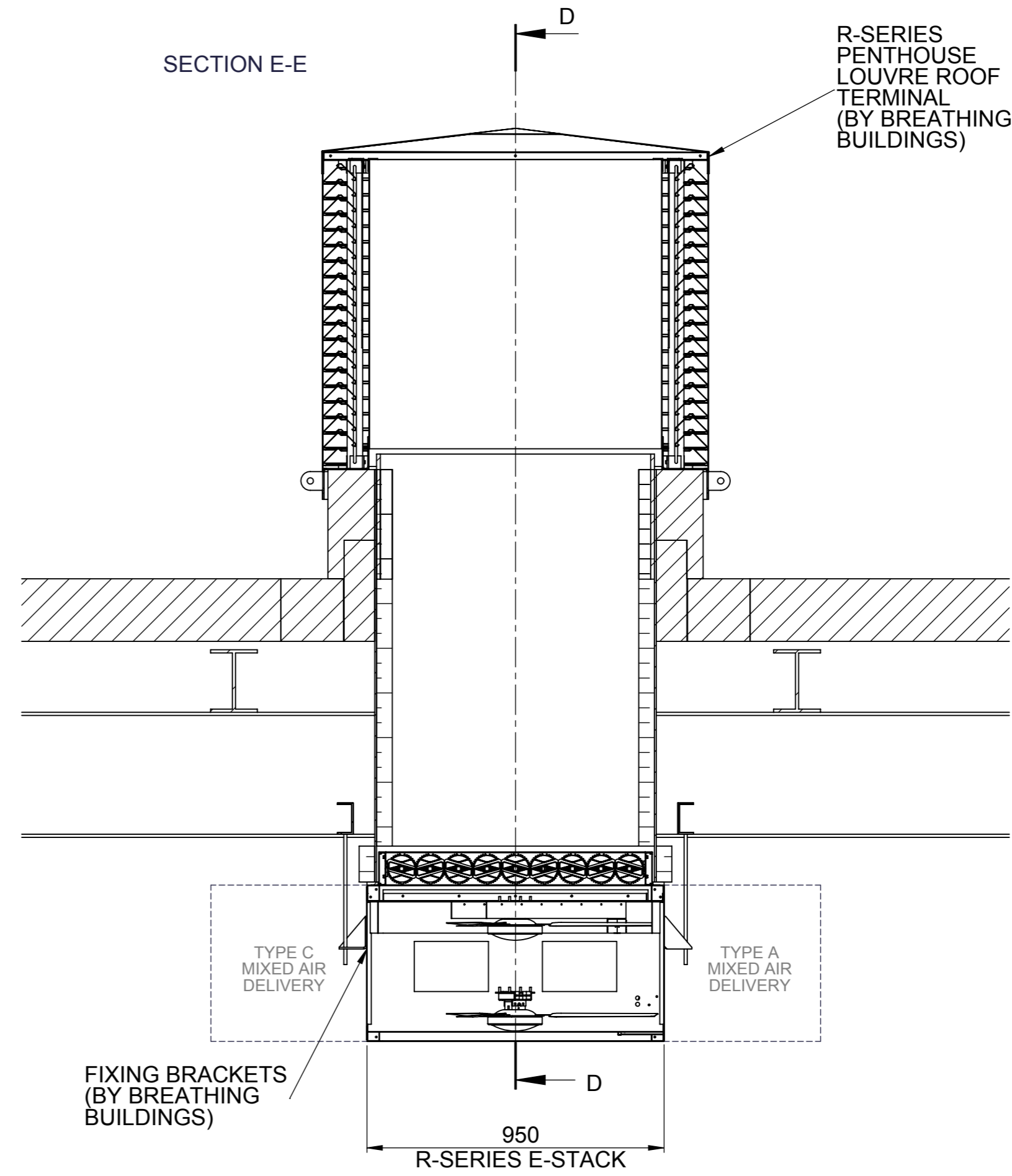
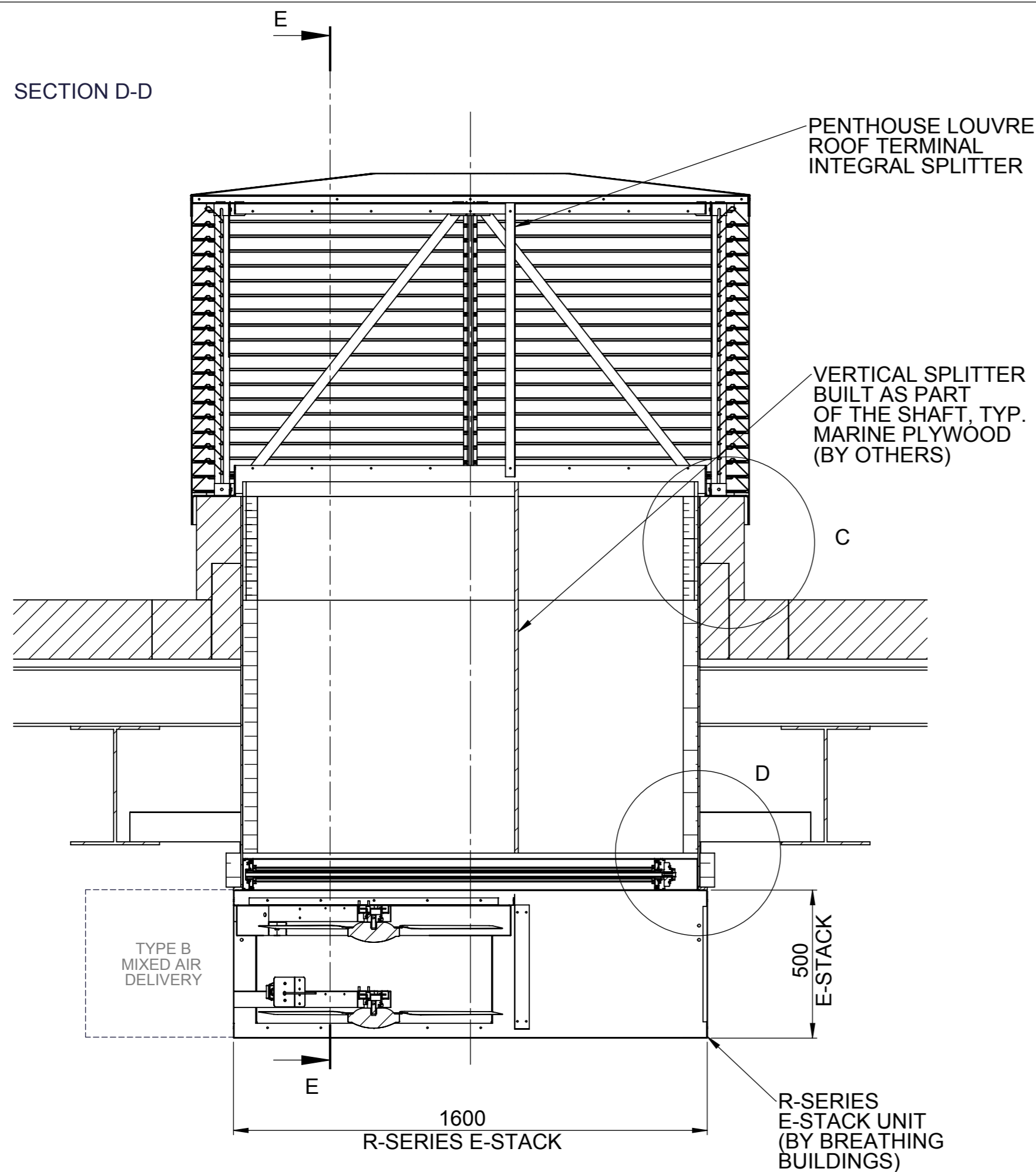


DO NOT SCALE

IF IN DOUBT, ASK!

REVISIONS

ZONE	REV.	DESCRIPTION	DATE	APPROVED
-	-	See Sheet 1	-	-



UPSTAND MATERIAL	FASTENER TYPE
CONCRETE	M6 STAINLESS STEEL RESIN ANCHOR
TIMBER	STAINLESS STEEL M6 BOLT OR 5MM DIA. SCREW
STEEL	5MM DIA. STAINLESS STEEL SELF-DRILLING SCREW
MASONRY	NOT RECOMMENDED

MATERIAL: N/A

FINISH: N/A

MASS WITHOUT PACKAGING: N/A

TOLERANCES EXCEPT WHERE OTHERWISE STATED

X	: 0.5MM
X.XX	: 0.05MM
ANGLES	: 0.5°

SURFACE TEXTURE TO BE 1.6 UMRA OR BETTER

DE-BURR ALL SHARP EDGES AND HOLES. ITEM MUST BE FREE FROM SCRATCHES, DENTS AND OTHER BLEMISHES.

DIMENSIONS IN MILLIMETRES



15 STURTON STREET, CAMBRIDGE, CB1 2SN
T: 01223 450090 F: 01223 450061
www.breathingbuildings.com/products

TITLE:

R-SERIES E-STACK WITH R-SERIES PENTHOUSE LOUVRE ROOF TERMINAL INSTALLATION GA

DRAWING NO:

1332_9202

REV DRAWN DATE CHKD DATE

CC 06/04/2015

SCALE 1:15 A2 SHEET 2 OF 3

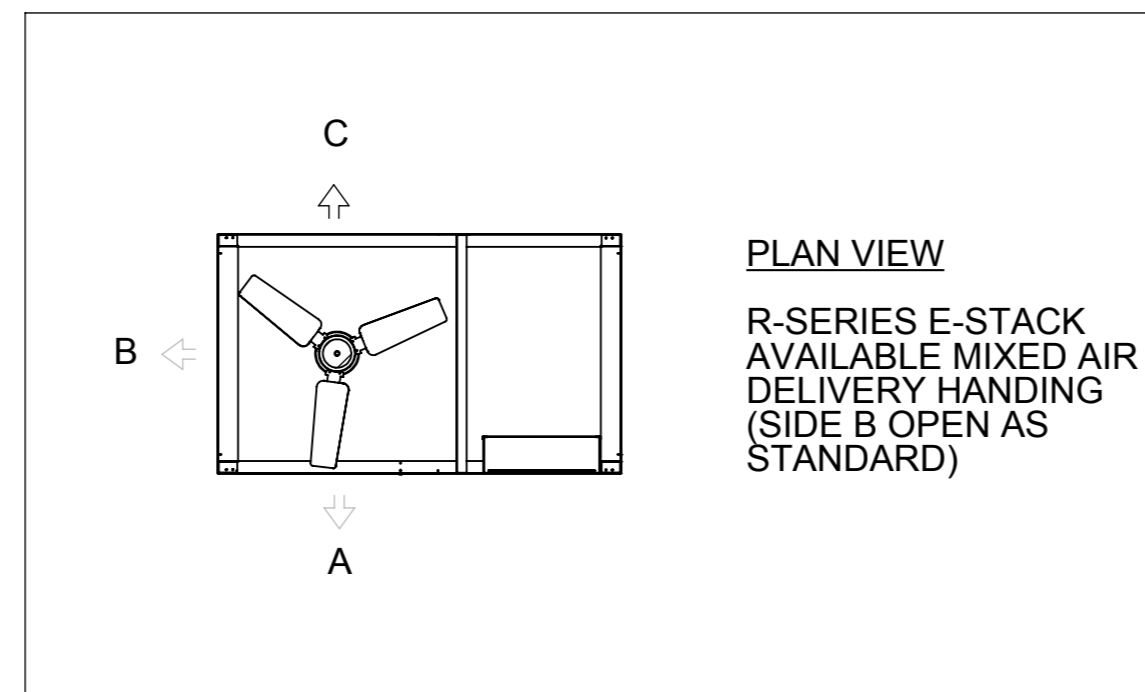
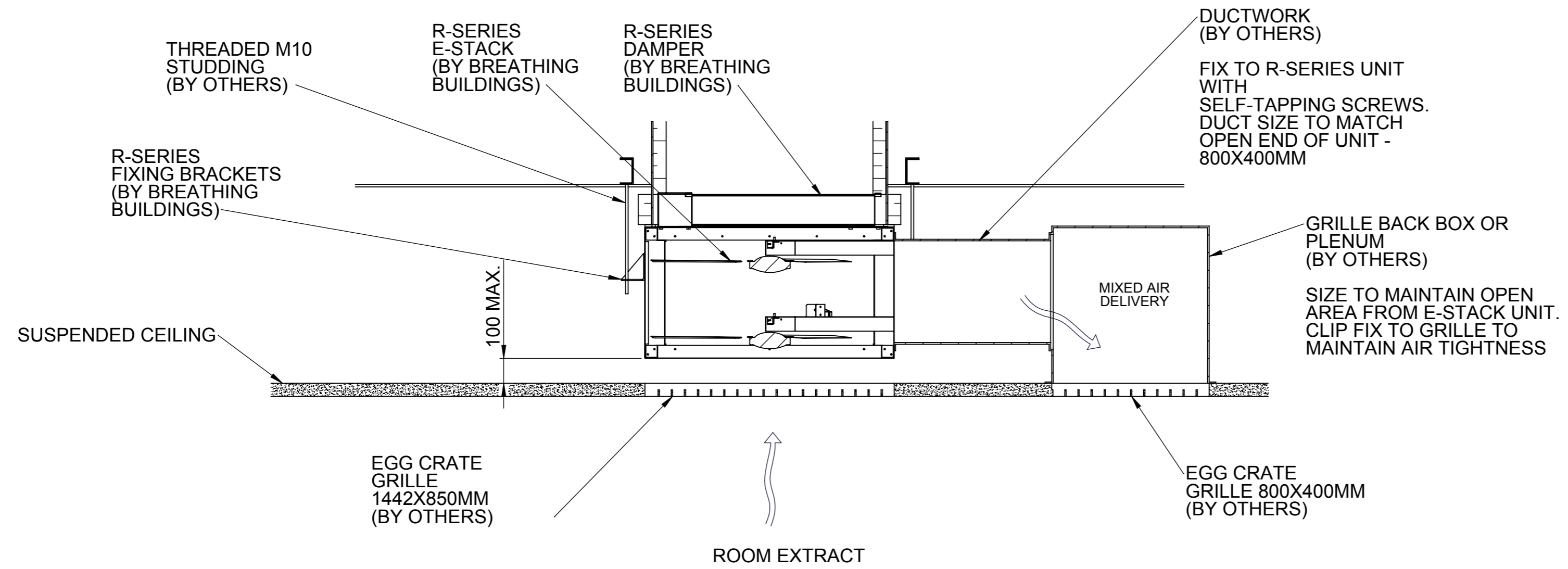


DO NOT SCALE

IF IN DOUBT, ASK!

REVISIONS

ZONE	REV.	DESCRIPTION	DATE	APPROVED
-	-	See Sheet 1	-	-



MATERIAL:
N/A

FINISH
N/A

MASS WITHOUT PACKAGING
N/A

TOLERANCES EXCEPT WHERE OTHERWISE STATED

X	:	0.5MM
X.XX	:	0.05MM
ANGLES	:	0.5°

SURFACE TEXTURE TO BE 1.6 UMRA OR BETTER

DE-BURR ALL SHARP EDGES AND HOLES. ITEM MUST BE FREE FROM SCRATCHES, DENTS AND OTHER BLEMISHES.

DIMENSIONS IN MILLIMETRES



15 STURTON STREET, CAMBRIDGE, CB1 2SN
T: 01223 450090 F: 01223 450061
www.breathingbuildings.com/products

TITLE:
R-SERIES E-STACK WITH R-SERIES PENTHOUSE LOUVRE ROOF TERMINAL INSTALLATION GA

DRAWING NO:
1332_9202

REV	DRAWN	DATE	CHKD	DATE
CC		06/04/2015		

SCALE 1:15 A2 SHEET 3 OF 3

