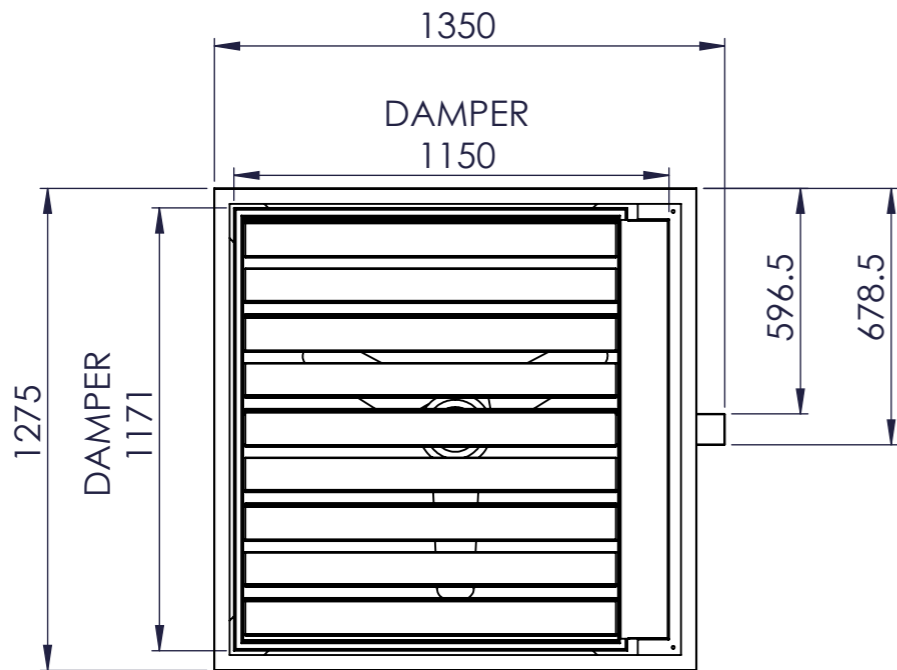
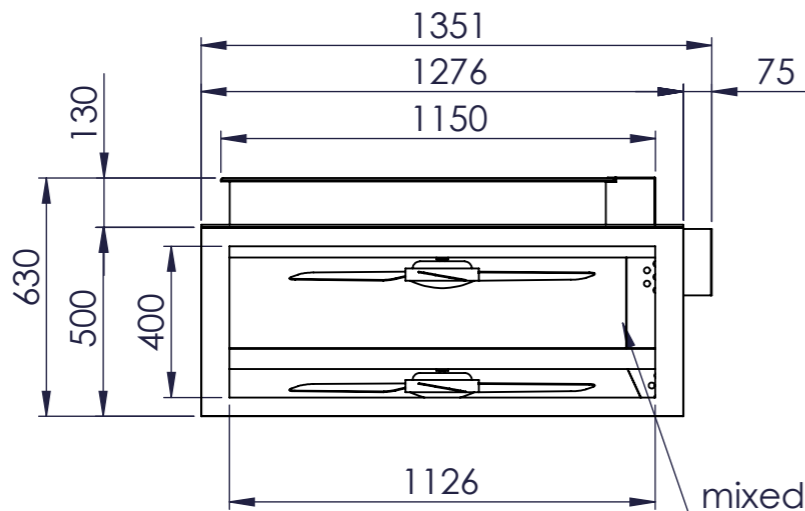


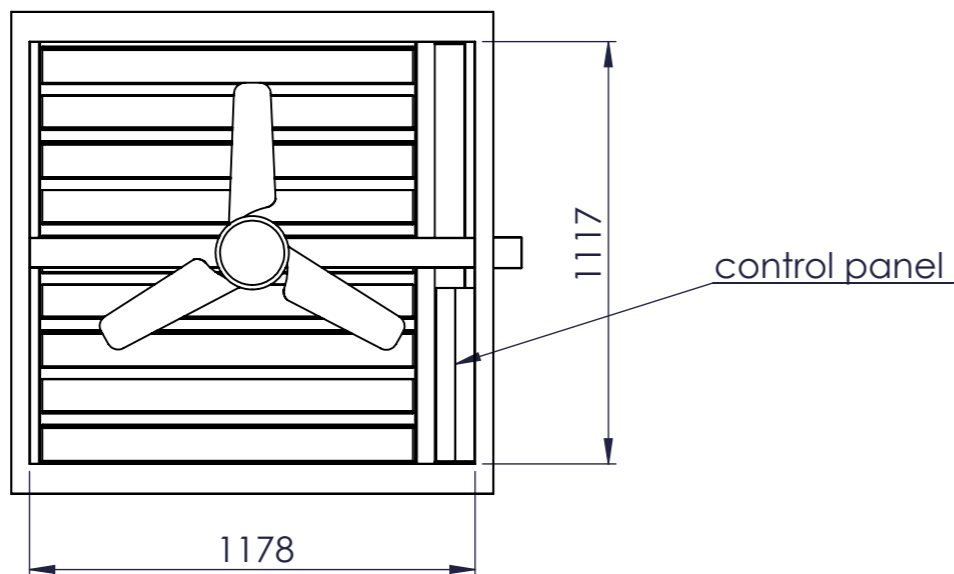
TOP VIEW



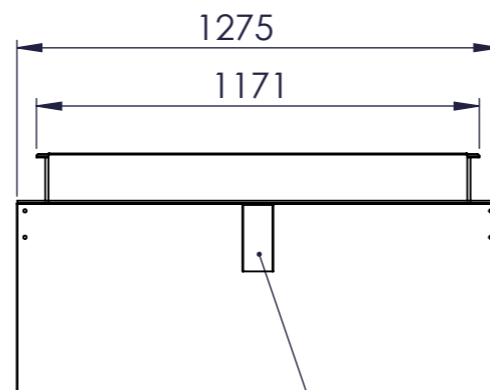
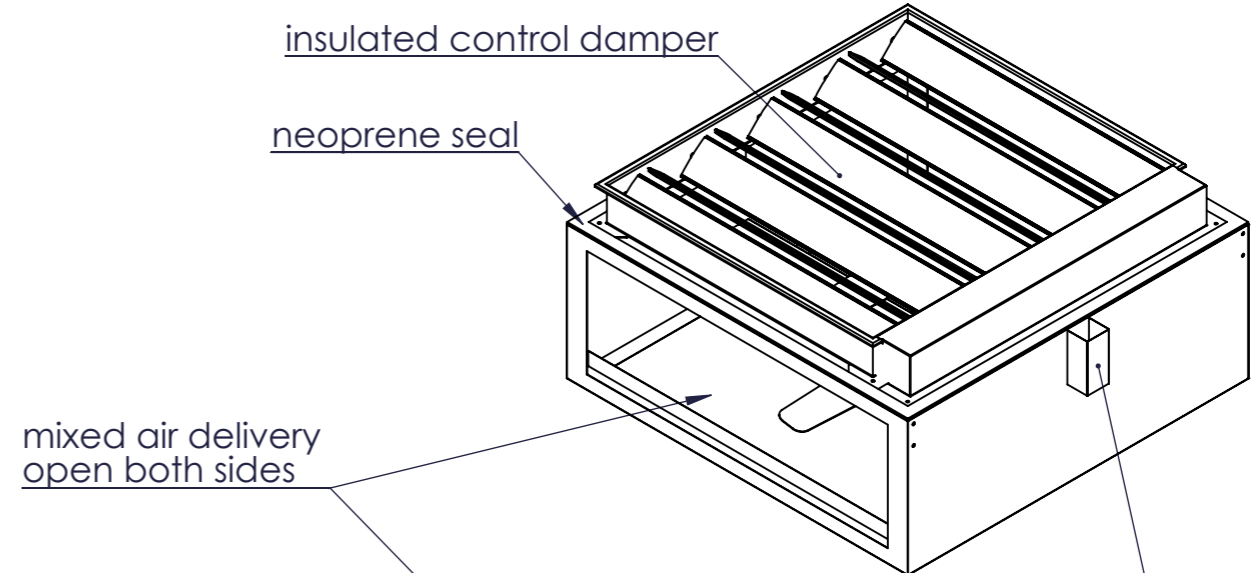
FRONT VIEW



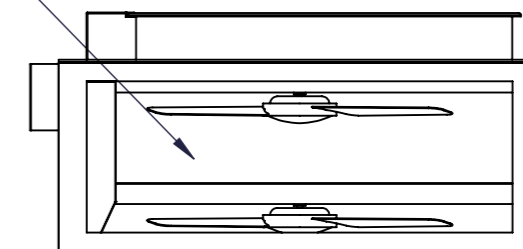
UNDERSIDE VIEW



ISOMETRIC TOPSIDE VIEW



RIGHT SIDE VIEW



BACK VIEW

Notes:

1. Weight - 130kg
2. Finish - Galvanized Steel as standard or RAL 9010 available on request at additional cost
3. Unit shown without grilles. Grilles available on request at additional cost
4. Unit shown without e-stack mounting brackets. Brackets available on request at additional cost



DEBUR AND BREAK SHARP EDGES AND HOLES. ITEM MUST BE FREE FROM SCRATCHES, DENTS AND OTHER BLEMISHES

MATERIAL: Galv steel

FINISH: MILL FINISH

DRAWN DP 01/02/2013

CHK'D

APPV'D

MFG

Q.A

Tolerances unless otherwise stated
x.xx = +/- 0.05
x = +/- 0.5
angles +/- 0.5°

Dimension in mm

Third Angle Projection

Surface texture to be umRa or better

TITLE:
S-1200 without brackets

DWG NO.
XBBC-100706-02

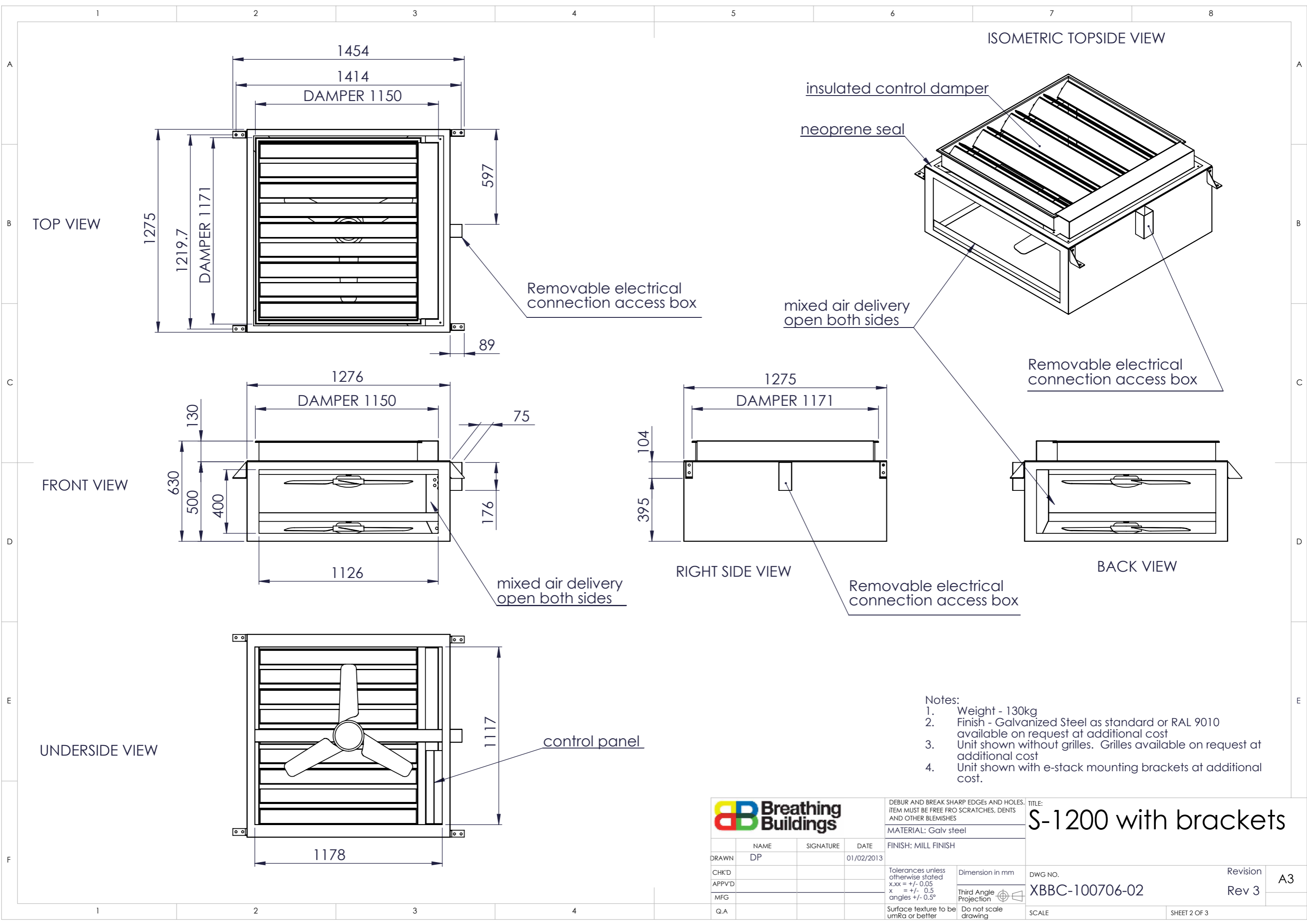
SCALE 1:20

SHEET 1 OF 3

Revision

Rev 3

A3



- Notes:
1. Weight - 130kg
 2. Finish - Galvanized Steel as standard or RAL 9010 available on request at additional cost
 3. Unit shown without grilles. Grilles available on request at additional cost
 4. Unit shown with e-stack mounting brackets at additional cost.



DEBUR AND BREAK SHARP EDGES AND HOLES. ITEM MUST BE FREE FROM SCRATCHES, DENTS AND OTHER BLEMISHES

MATERIAL: Galv steel

FINISH: MILL FINISH

DRAWN DP 01/02/2013

CHK'D

APPV'D

MFG

Q.A

Tolerances unless otherwise stated
 x.xx = +/- 0.05
 x = +/- 0.5
 angles +/- 0.5°

Surface texture to be umRa or better

Dimension in mm
 Third Angle Projection

Do not scale drawing

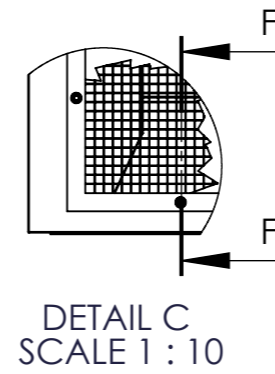
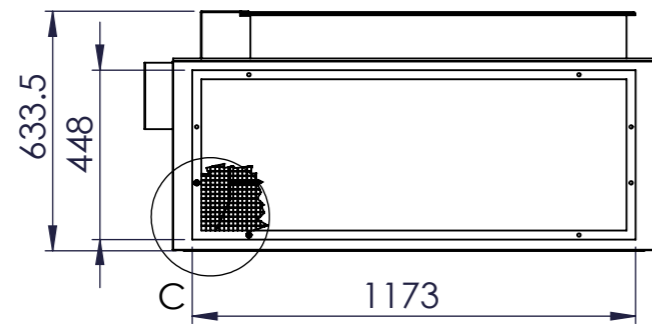
TITLE: S-1200 with brackets

DWG NO. XBBC-100706-02

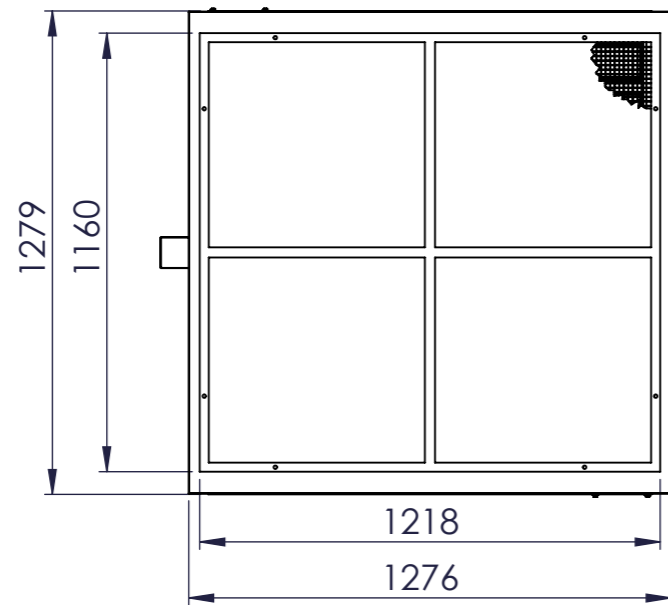
Revision Rev 3 A3

SCALE SHEET 2 OF 3

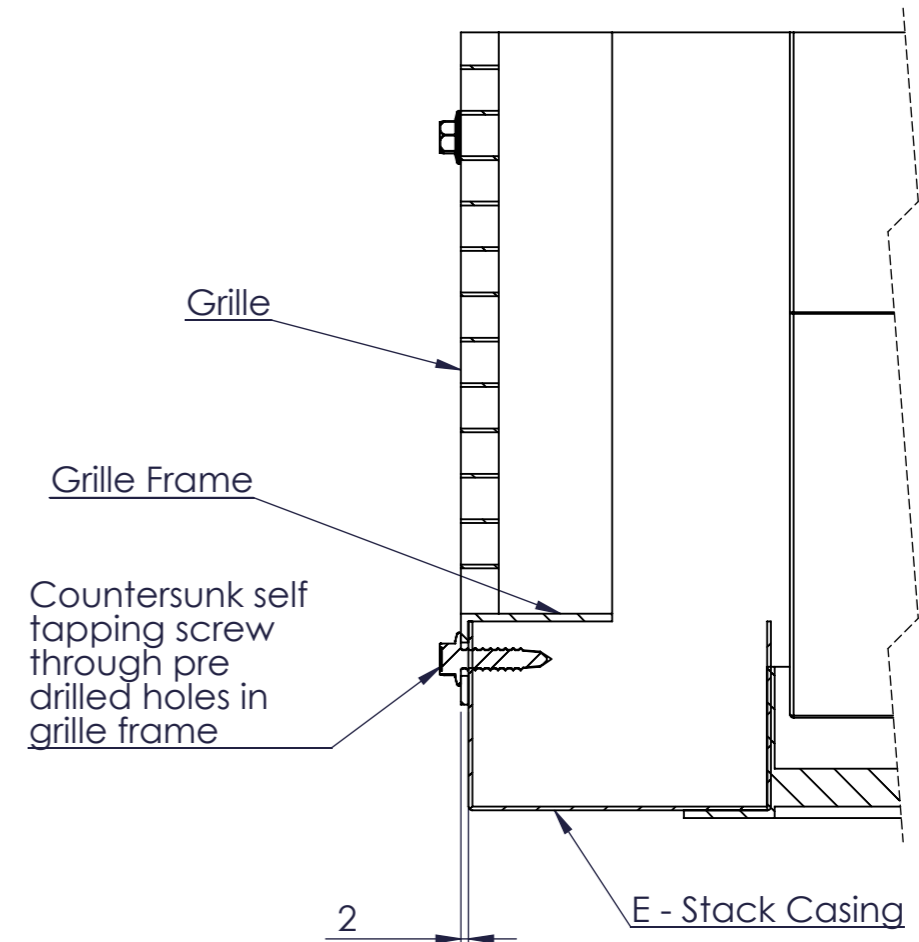
FRONT VIEW



UNDERSIDE VIEW



SECTION F-F
SCALE 1 : 2



Note: 1) E-Stack fans and other interior components removed for clarity

Notes:

1. Weight - 130kg
2. Finish - Galvanized Steel as standard or RAL 9010 available on request at additional cost
3. Unit shown with grilles. Grilles available on request at additional cost
4. Unit shown without e-stack mounting brackets at additional cost.



DEBUR AND BREAK SHARP EDGES AND HOLES. ITEM MUST BE FREE FROM SCRATCHES, DENTS AND OTHER BLEMISHES

MATERIAL: Galv steel

FINISH: MILL FINISH

	NAME	SIGNATURE	DATE
DRAWN	DP		01/02/2013
CHK'D			
APPV'D			
MFG			
Q.A			

Tolerances unless otherwise stated
 x.xx = +/- 0.05
 x = +/- 0.5
 angles +/- 0.5°
 Surface texture to be umRa or better
 Do not scale drawing

TITLE:
S-1200 with grille

DWG NO.
XBBC-100706-02

Revision
Rev 3

A3

SCALE SHEET 3 OF 3