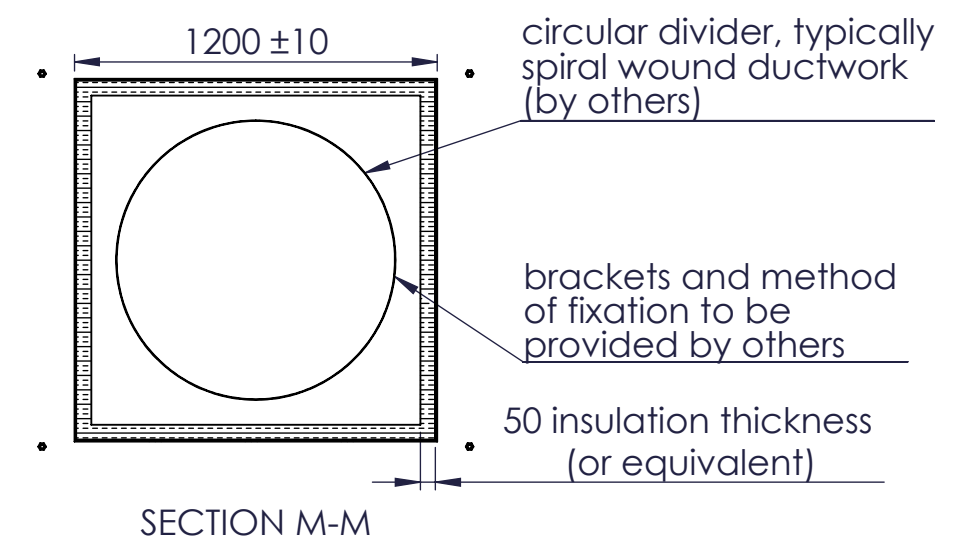
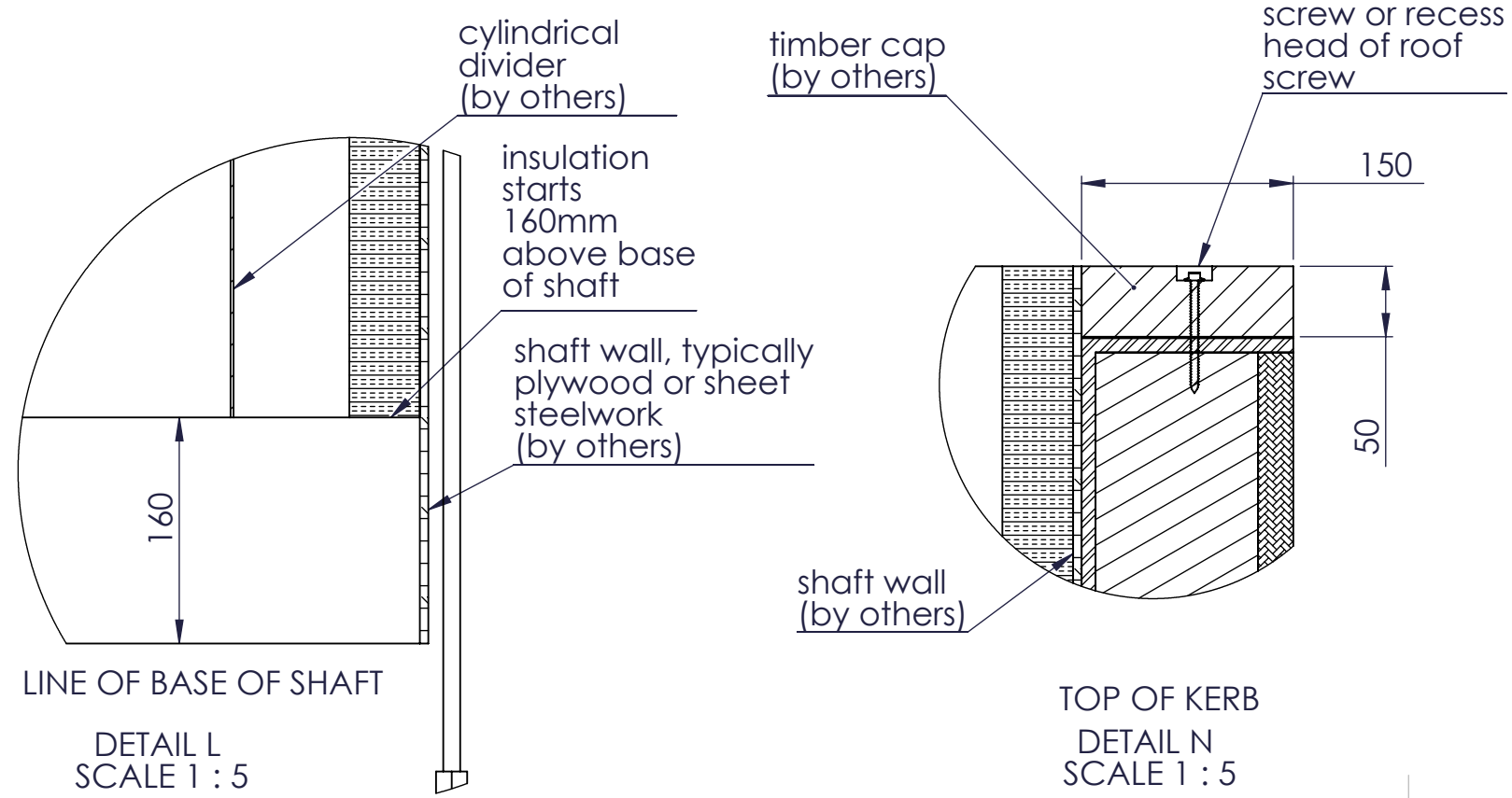
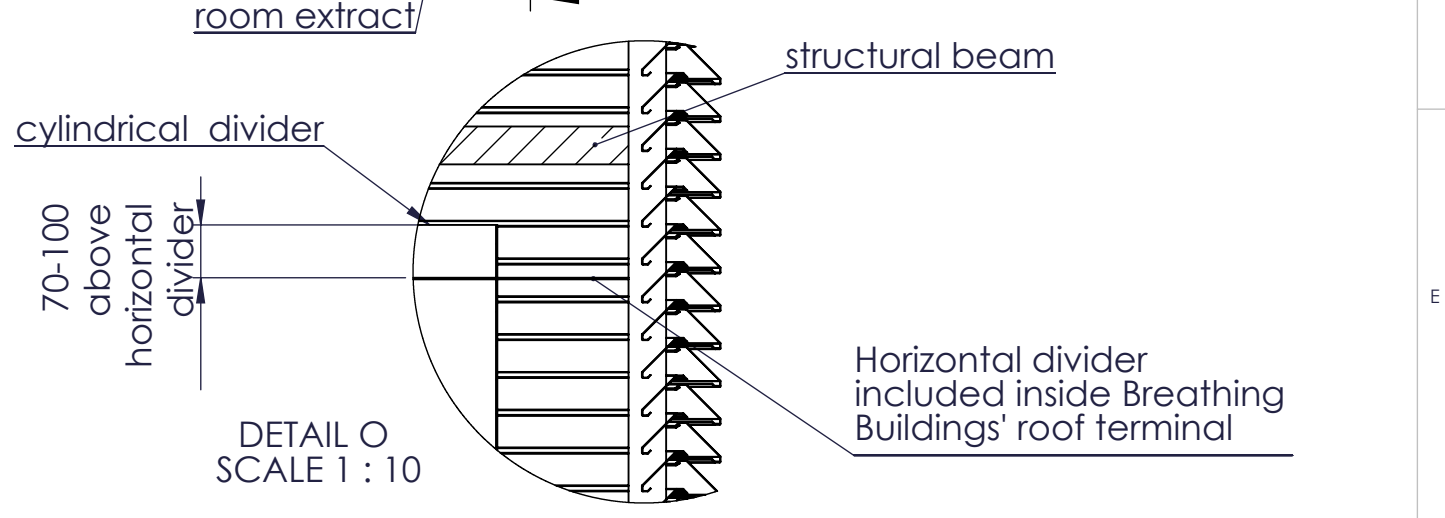
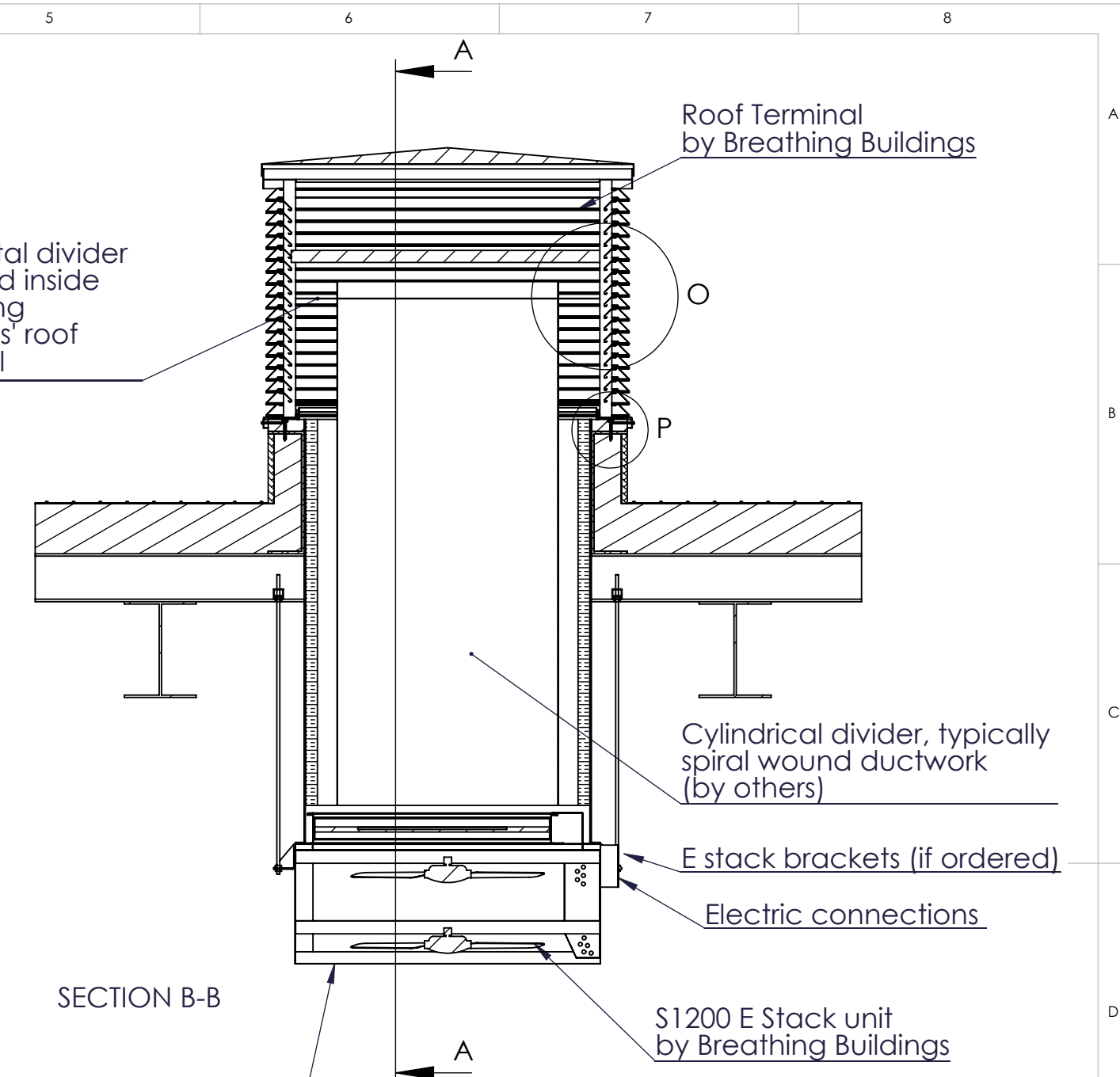
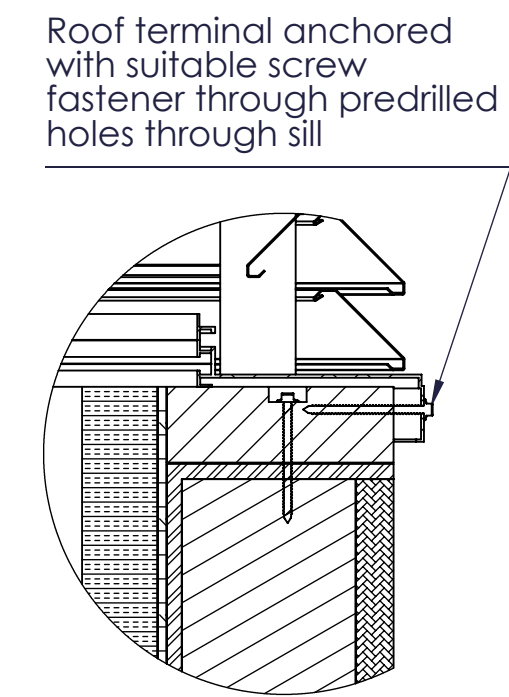
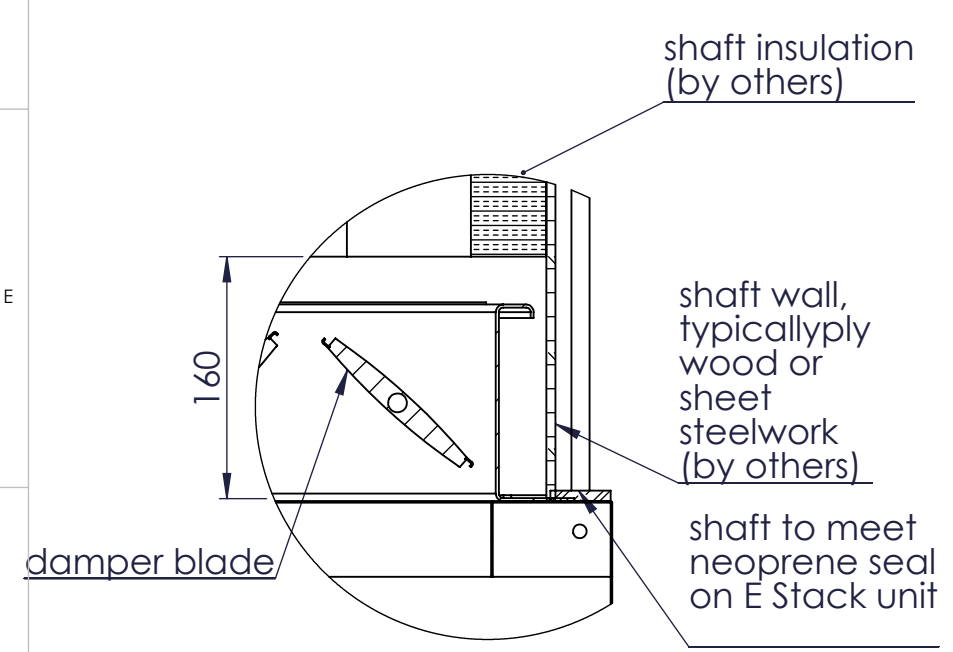
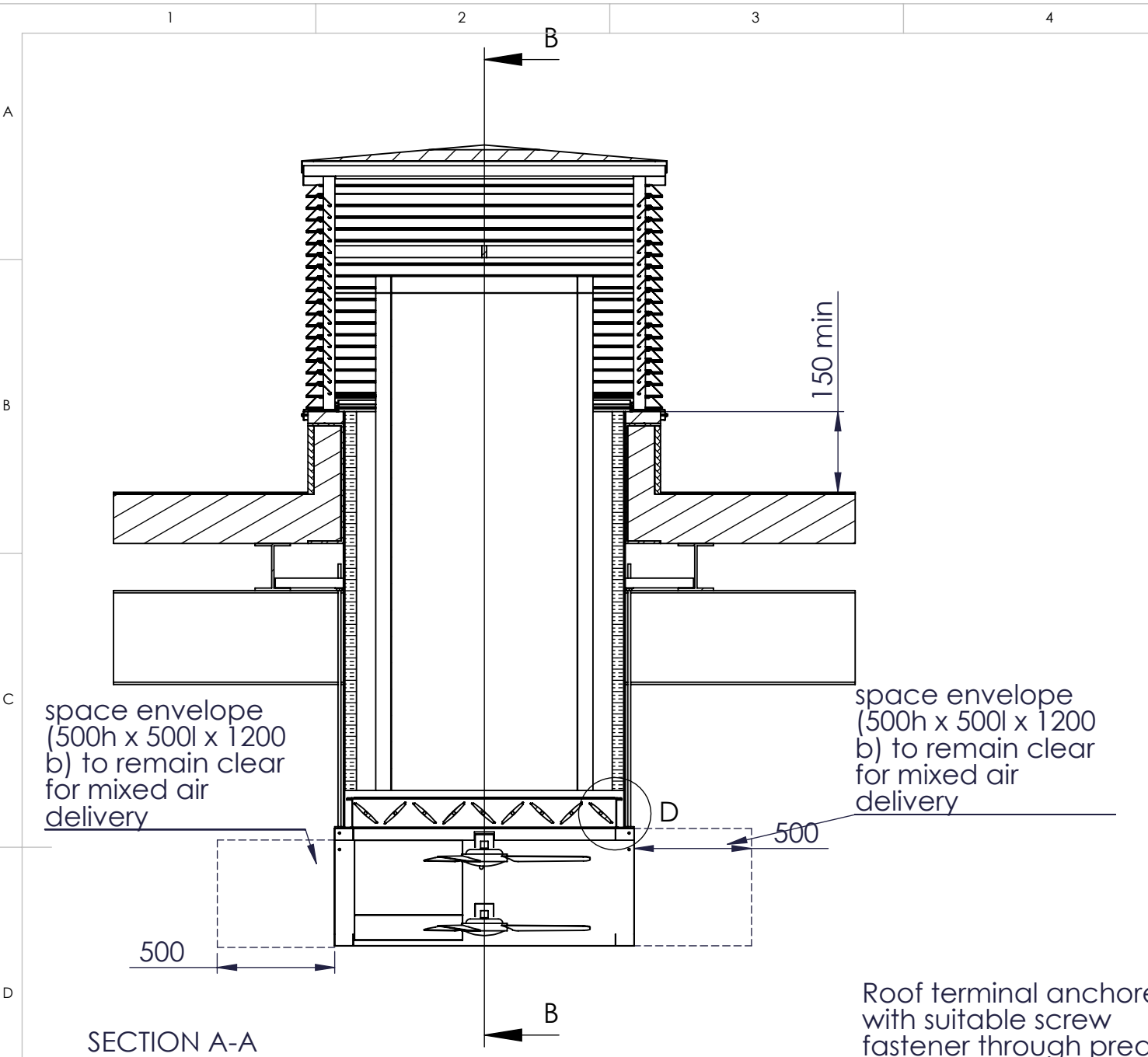


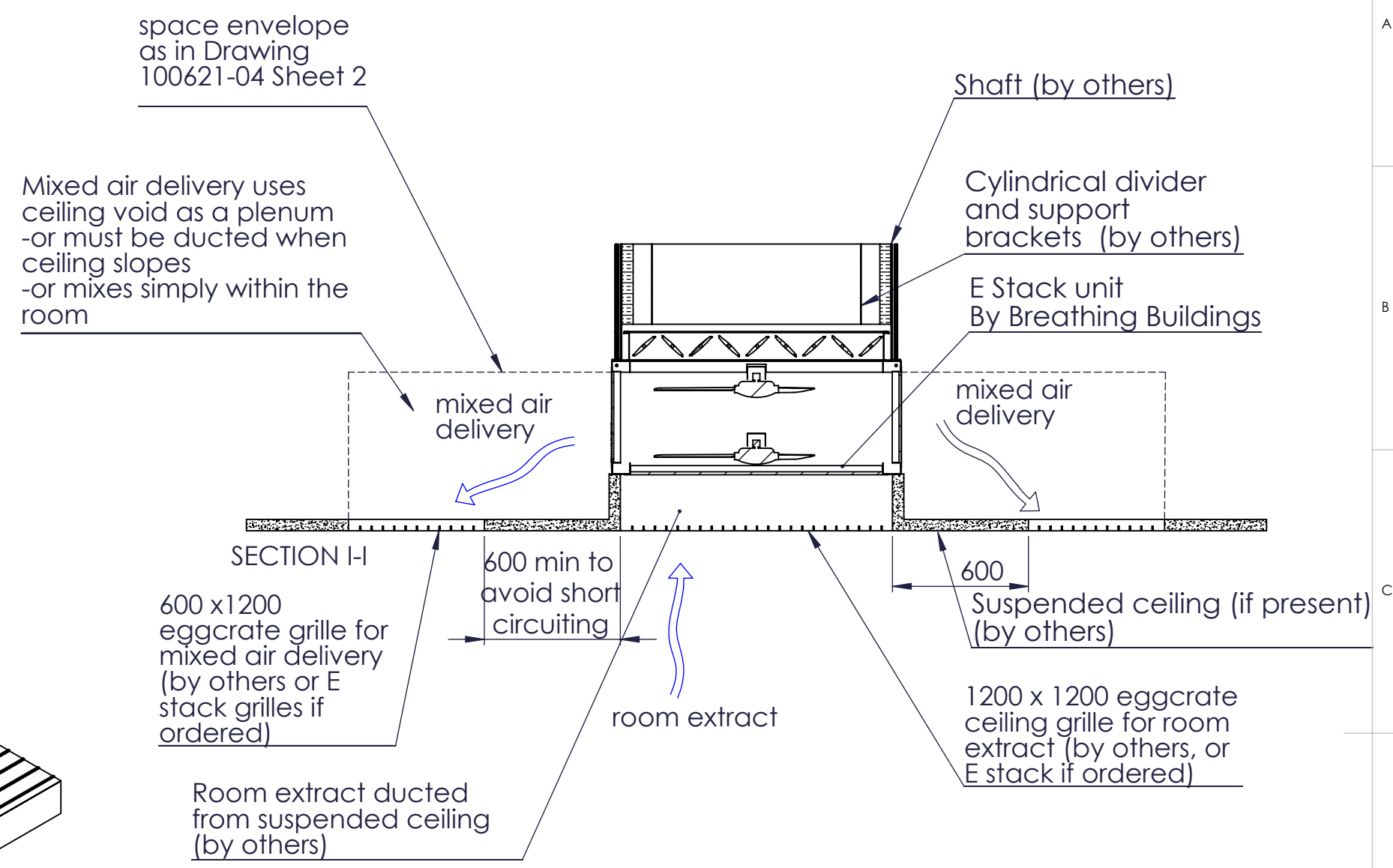
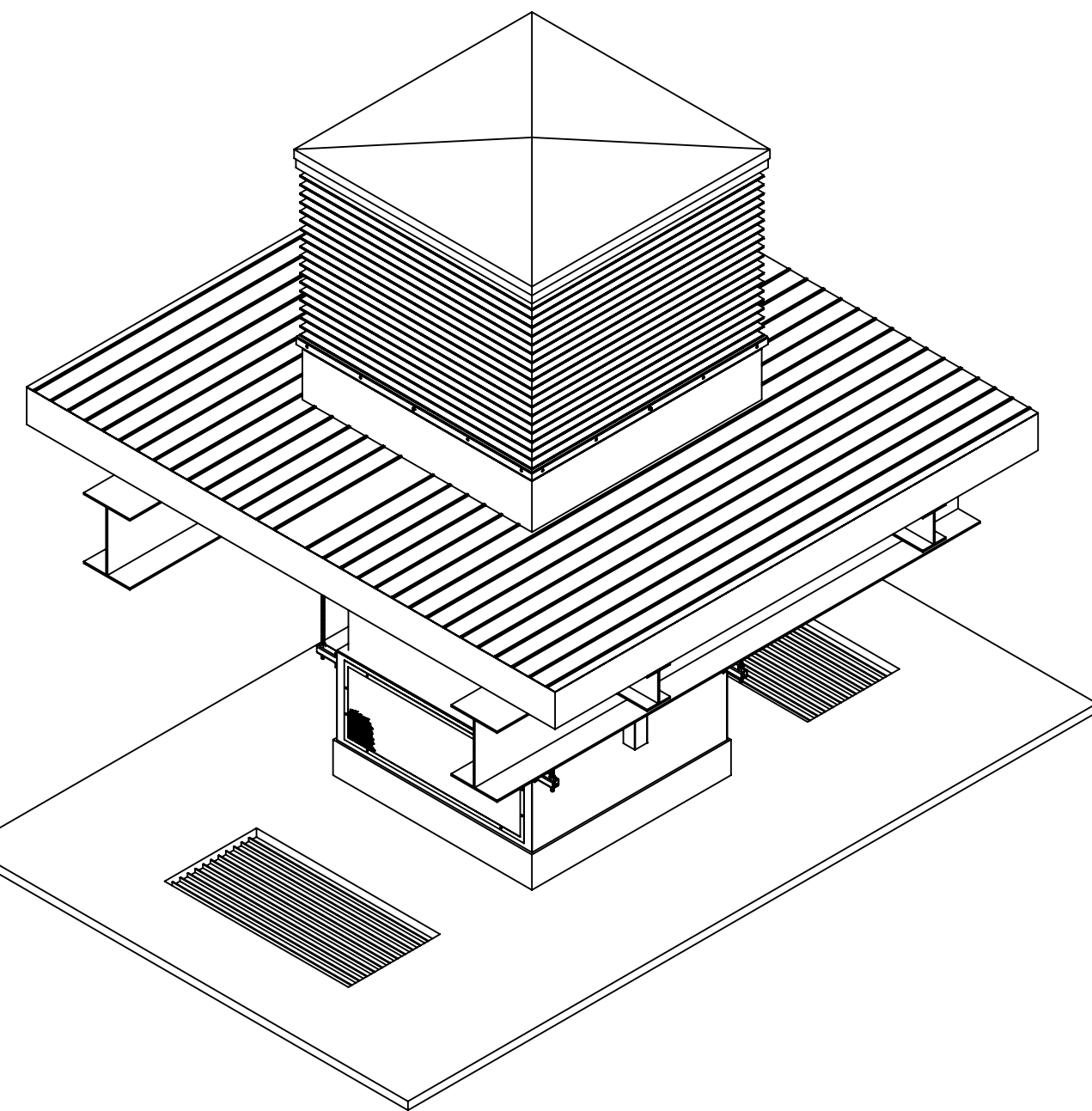
- Notes:
1. S1200 Typical shaft and kerb interfaces on a steel profile roof
 2. Roof profiles are indicative



			DEBUR AND BREAK SHARP EDGES AND HOLES. ITEM MUST BE FREE FROM SCRATCHES, DENTS AND OTHER BLEMISHES MATERIAL: MATERIAL FINISH: FINISH		TITLE: S1200 typical shaft and kerb interface on a steel profile roof	
DRAWN: XC CHK'D: APPV'D: MFG: Q.A:	NAME: SIGNATURE: DATE: 26/10/2012	Tolerances unless otherwise stated x.xx = +/- 0.05 x = +/- 0.5 angles +/- 0.5° Surface texture to be umRa or better	Dimension in mm Third Angle Projection	DWG NO.: XBBC-100706-04 SCALE: 1:25	Revision: Rev A A3	SHEET 1 OF 3



			DEBUR AND BREAK SHARP EDGES AND HOLES. ITEM MUST BE FREE FROM SCRATCHES, DENTS AND OTHER BLEMISHES MATERIAL: MATERIAL FINISH: FINISH		TITLE: S1200 installed on a steel profile roof without a suspended ceiling	
DRAWN: XC CHK'D: APPV'D: MFG: Q.A:	NAME: SIGNATURE: DATE: 26/10/2012	DATE:	Tolerances unless otherwise stated x.xx = +/- 0.05 x = +/- 0.5 angles +/- 0.5°	Dimension in mm Third Angle Projection	DWG NO.: XBBC-100706-04 SCALE: 1:25	Revision: Rev A A3
Surface texture to be umRa or better				Do not scale drawing	SHEET 2 OF 3	



Notes:

1. Either the Room Extract or Mixed Air Delivery air pathways require ducting from the e-stack to the room when e-stack is above a suspended ceiling
2. Max weight of duct hanging below e-stack Room Extract not to exceed 50kg
3. For access/ maintenance requirements, refer to O&Ms

			DEBUR AND BREAK SHARP EDGES AND HOLES. ITEM MUST BE FREE FROM SCRATCHES, DENTS AND OTHER BLEMMISHES MATERIAL: MATERIAL FINISH: FINISH		TITLE: S1200 installed above a suspended ceiling	
DRAWN: XC CHK'D: APPV'D: MFG: Q.A:	SIGNATURE:	DATE: 26/10/2012	Tolerances unless otherwise stated x.xx = +/- 0.05 x = +/- 0.5 angles +/- 0.5° Surface texture to be umRa or better	Dimension in mm Third Angle Projection	DWG NO.: XBBC-100706-04 SCALE: 1:25	Revision: Rev A A3 SHEET 3 OF 3