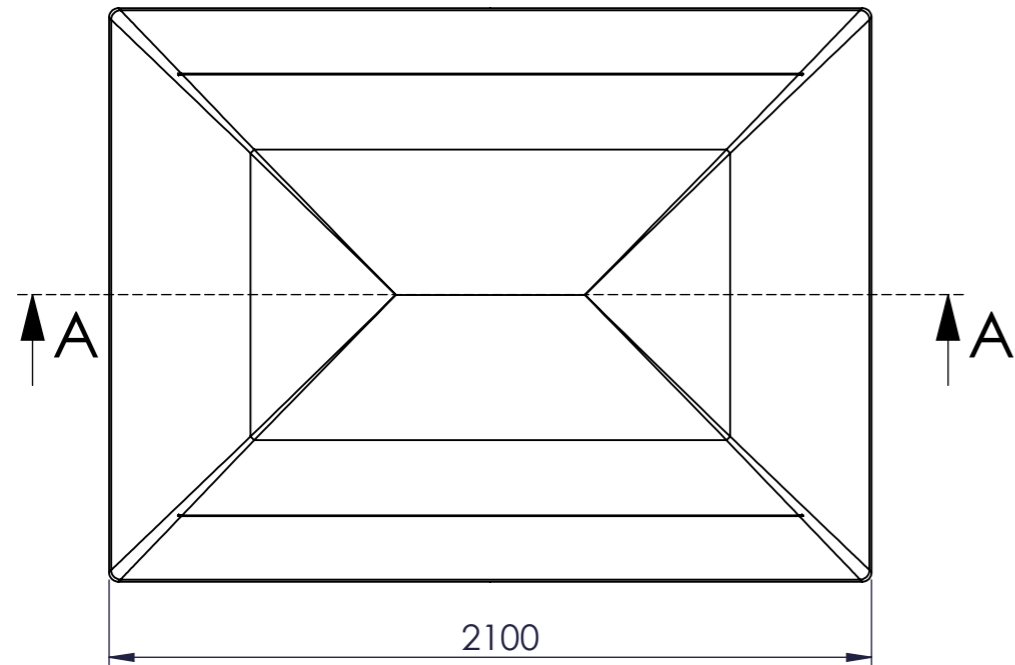
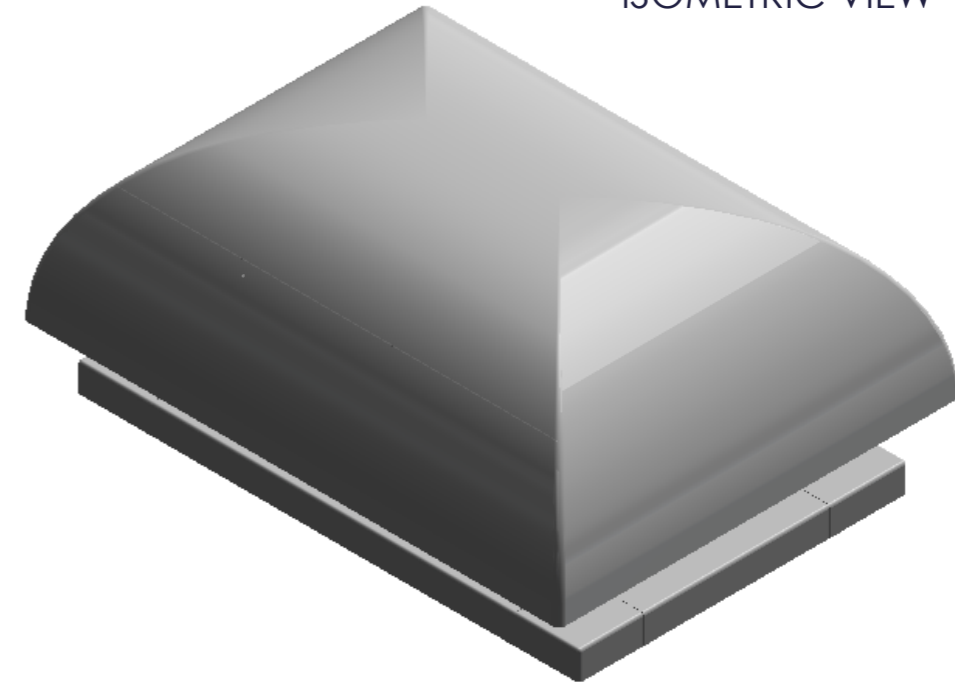


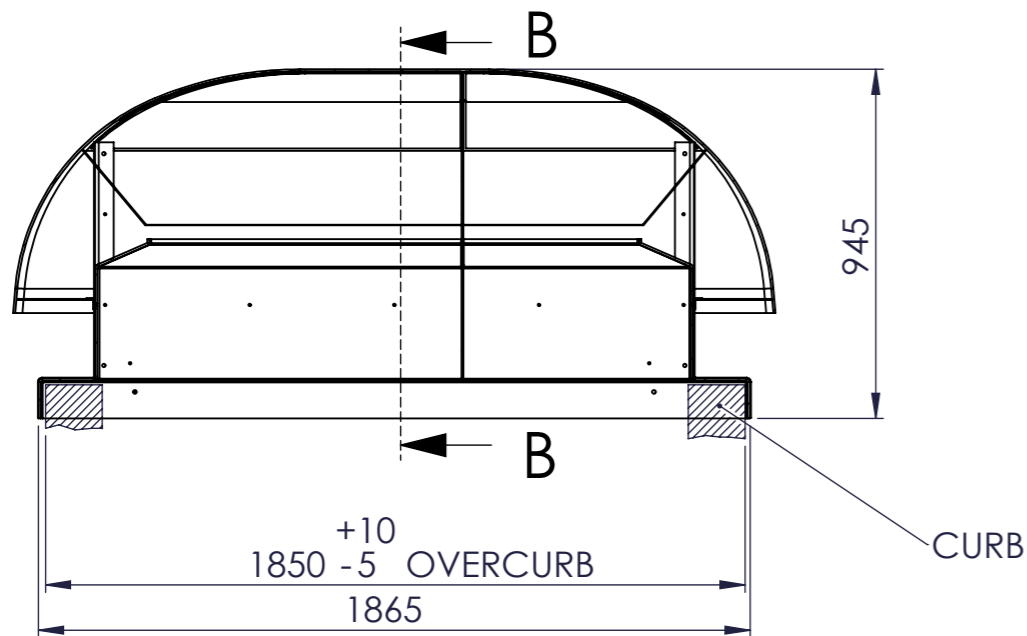
PLAN VIEW



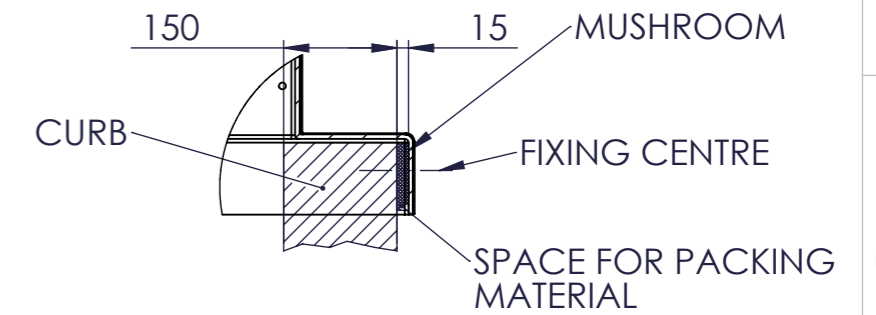
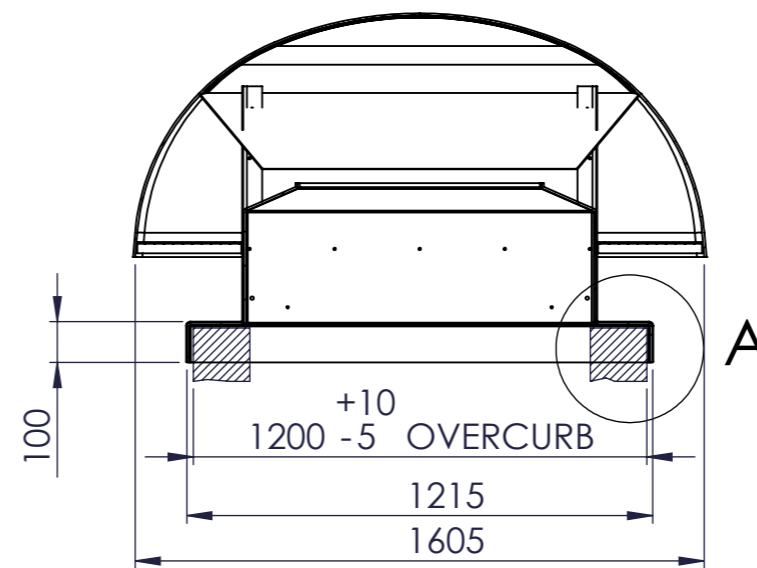
ISOMETRIC VIEW



SECTION A-A



SECTION B-B



DETAIL A
SCALE 1 : 10

NOTES:-

1. TYPICAL WEIGHT = 150KG
2. DEFAULT COLOUR RAL 7035 GREY BUT AVAILABLE IN OTHER COLOURS AT ADDITIONAL COST
3. SHAFT DIMENSIONS = 1550MM (W) X 900MM (D)



DEBUR AND BREAK SHARP EDGES AND HOLES. ITEM MUST BE FREE FROM SCRATCHES, DENTS AND OTHER BLEMMISHES

MATERIAL: GRP

FINISH: GELL COAT RAL 7035

TITLE:
R-SERIES MUSHROOM ROOF TERMINAL

	NAME	SIGNATURE	DATE
DRAWN	CC		15/04/2013
CHECKED			
APPROVED			
MFG			
Q.A			

Tolerances unless otherwise stated
x.xx = +/- 0.05
x = +/- 0.5
angles +/- 0.5°

Dimension in mm
Third Angle Projection

Surface texture to be umRa or better

Do not scale drawing

DWG NO.
1310_9001_02

Revision
2