

BASE OF SHAFT
DETAIL H
SCALE 1 : 5

TOP OF KERB
DETAIL P
SCALE 1 : 5



DEBUR AND BREAK SHARP EDGES AND HOLES. ITEMS MUST BE FREE FROM SCRATCHES, DENTS AND OTHER BLEMISHES

MATERIAL: NA

FINISH: NA

	NAME	SIGNATURE	DATE
DRAWN	CC		15/04/2013
CHK'D	DP		15/04/2013
APPV'D			
MFG			
Q.A			

Tolerances unless otherwise stated
x.xx = +/- 0.05
x = +/- 0.5
angles +/- 0.5°

Surface texture to be umRa or better

Dimension in mm

Third Angle Projection

TITLE:
R-Series e-stack and roof terminal installed on a steel profile roof

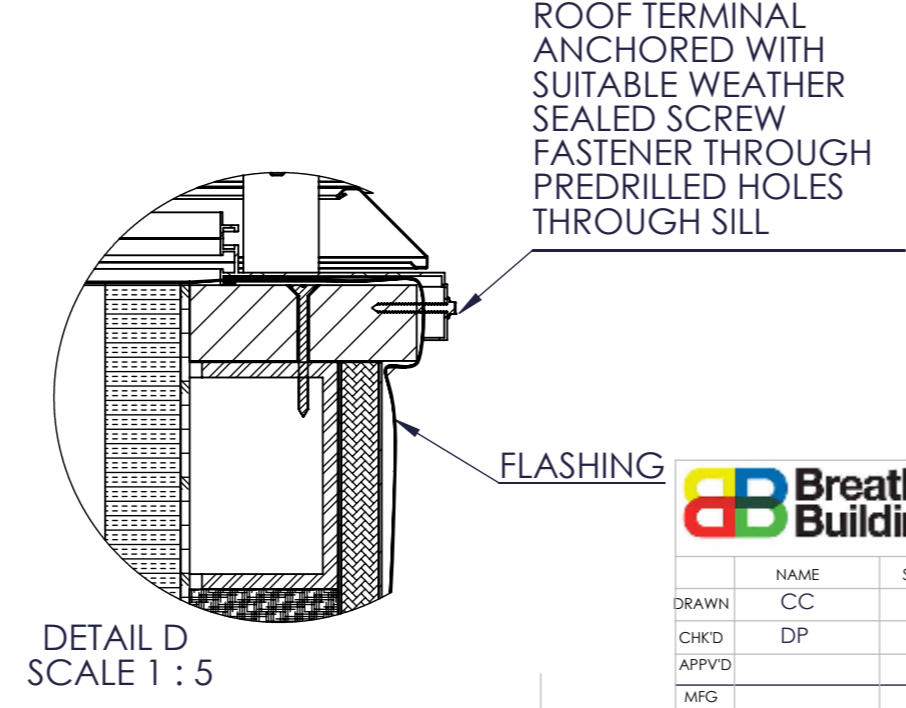
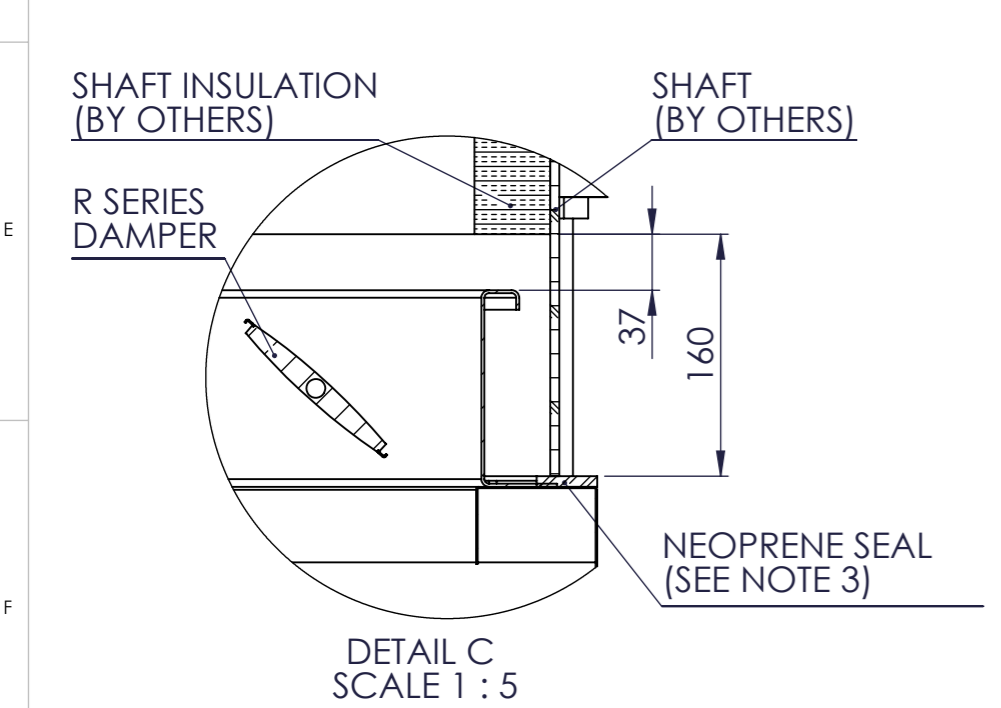
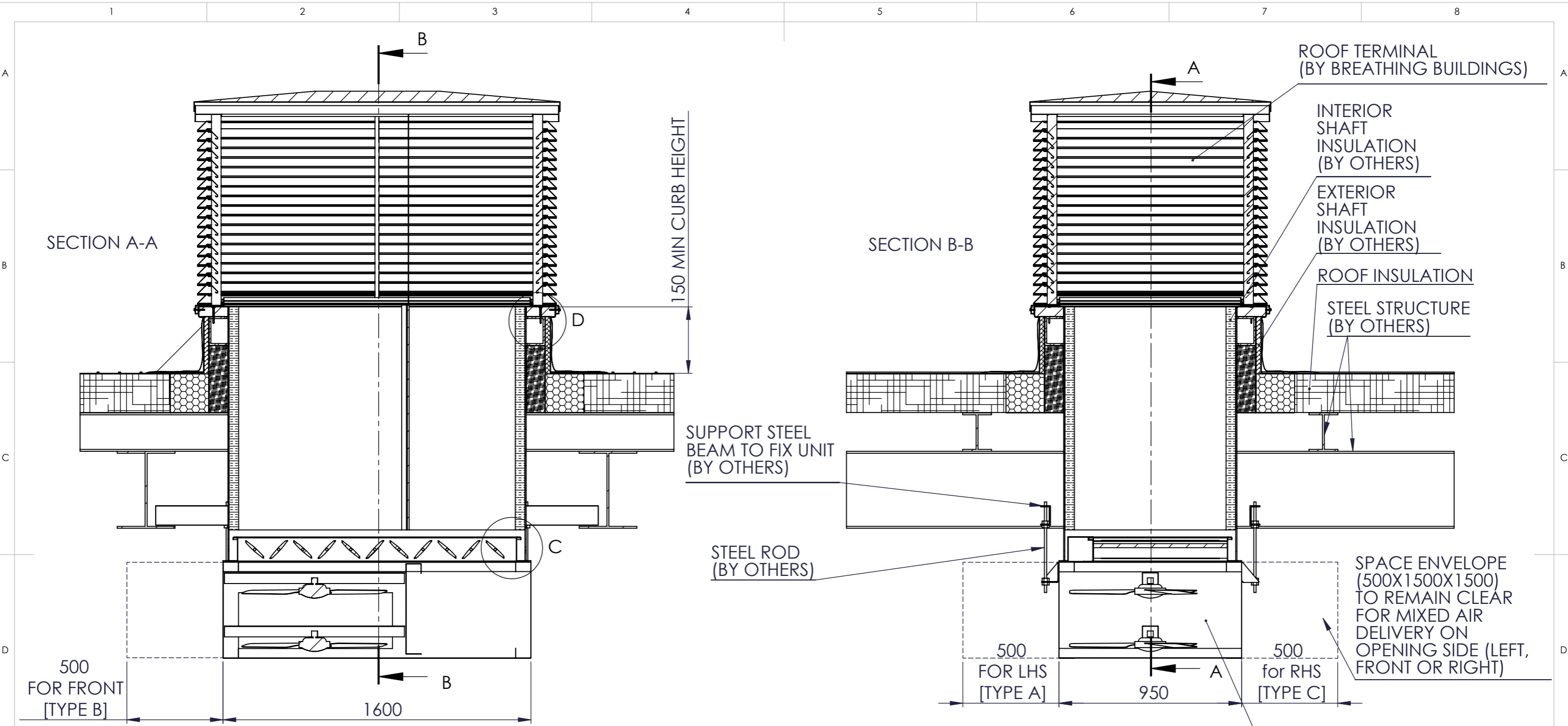
DWG NO.
1203_9051_06

Revision
6

A3

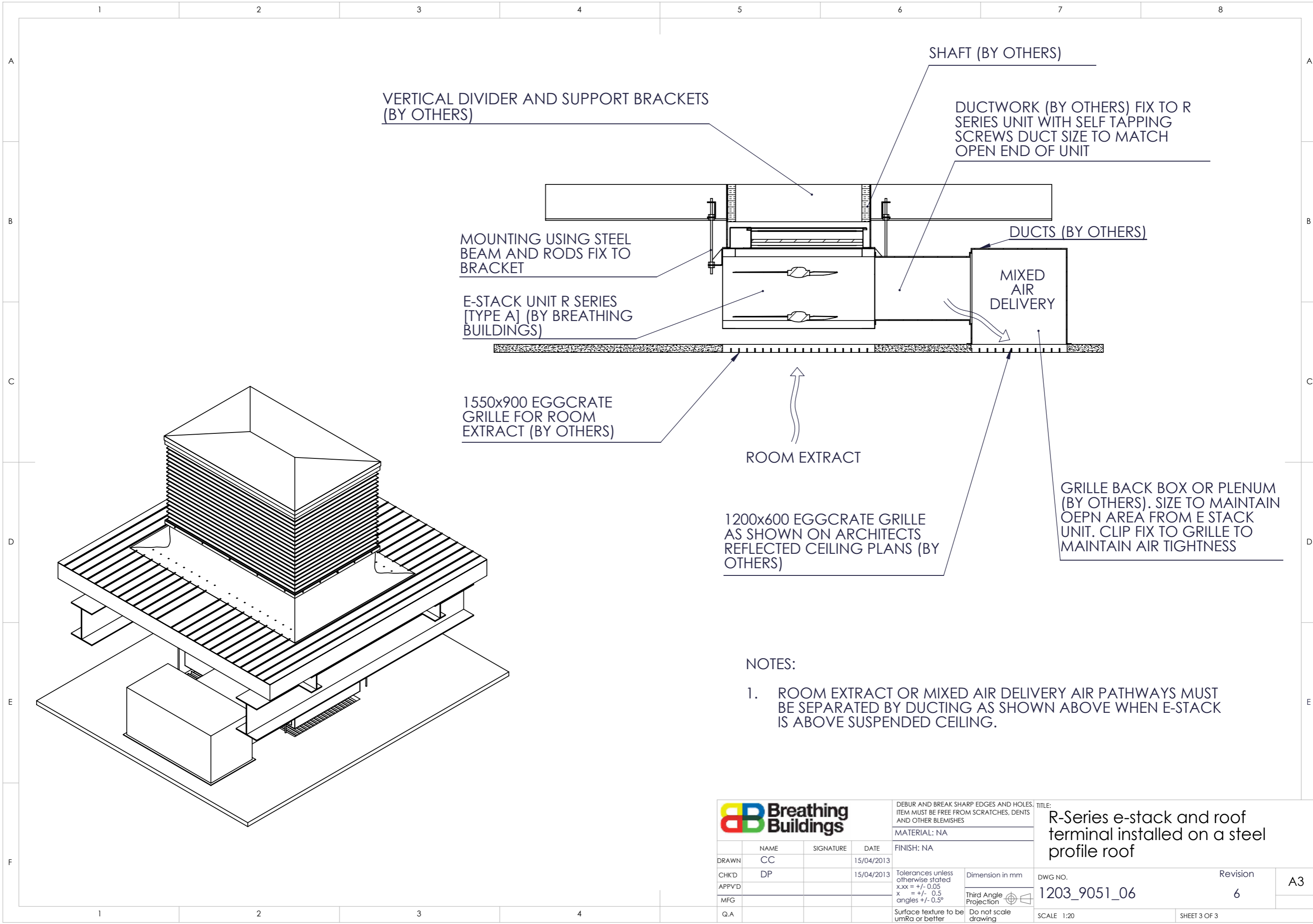
SCALE 1:20

SHEET 1 OF 3



- NOTES:
1. THIS DRAWING SHOWS E-STACK MOUNTED WITH E-STACK FIXING BRACKETS. UNISTRUT CRADLE IS A SUITABLE ALTERNATIVE.
 2. THE SIZING AND DETAILED DESIGN OF THE LOAD-BEARING SUPPORTS MUST BE SPECIFIED AND SIGNED OFF BY THE STRUCTURAL ENGINEERS FOR THE PROJECT.
 3. ALTERNATIVELY, USE TECSEAL 200 FRA.

			DEBUR AND BREAK SHARP EDGES AND HOLES. ITEM MUST BE FREE FROM SCRATCHES, DENTS AND OTHER BLEMMISHES.		TITLE: R-Series e-stack and roof terminal installed on a steel profile roof	
MATERIAL: NA			FINISH: NA		DWG NO. 1203_9051_06	
DRAWN CC	NAME CC	SIGNATURE 	DATE 15/04/2013	Tolerances unless otherwise stated x.xx = +/- 0.05 x = +/- 0.5 angles +/- 0.5°	Dimension in mm	Revision 6
CHK'D DP	NAME DP	SIGNATURE 	DATE 15/04/2013	Surface texture to be umRa or better	Third Angle Projection	SCALE 1:20
APPV'D	NAME	SIGNATURE	DATE	Do not scale drawing		SHEET 2 OF 3
MFG	NAME	SIGNATURE	DATE	Q.A.	A3	



VERTICAL DIVIDER AND SUPPORT BRACKETS
(BY OTHERS)

SHAFT (BY OTHERS)

DUCTWORK (BY OTHERS) FIX TO R
SERIES UNIT WITH SELF TAPPING
SCREWS DUCT SIZE TO MATCH
OPEN END OF UNIT

MOUNTING USING STEEL
BEAM AND RODS FIX TO
BRACKET

DUCTS (BY OTHERS)

E-STACK UNIT R SERIES
[TYPE A] (BY BREATHING
BUILDINGS)

MIXED
AIR
DELIVERY

1550x900 EGGCRATE
GRILLE FOR ROOM
EXTRACT (BY OTHERS)

ROOM EXTRACT

GRILLE BACK BOX OR PLENUM
(BY OTHERS). SIZE TO MAINTAIN
OEPN AREA FROM E STACK
UNIT. CLIP FIX TO GRILLE TO
MAINTAIN AIR TIGHTNESS

1200x600 EGGCRATE GRILLE
AS SHOWN ON ARCHITECTS
REFLECTED CEILING PLANS (BY
OTHERS)

NOTES:

- ROOM EXTRACT OR MIXED AIR DELIVERY AIR PATHWAYS MUST BE SEPARATED BY DUCTING AS SHOWN ABOVE WHEN E-STACK IS ABOVE SUSPENDED CEILING.



DEBUR AND BREAK SHARP EDGES AND HOLES.
ITEM MUST BE FREE FROM SCRATCHES, DENTS
AND OTHER BLEMISHES

MATERIAL: NA

FINISH: NA

	NAME	SIGNATURE	DATE
DRAWN	CC		15/04/2013
CHK'D	DP		15/04/2013
APPV'D			
MFG			
Q.A			

Tolerances unless
otherwise stated
x.xx = +/- 0.05
x = +/- 0.5
angles +/- 0.5°
Surface texture to be
umRa or better



TITLE:
**R-Series e-stack and roof
terminal installed on a steel
profile roof**

DWG NO.
1203_9051_06

Revision
6

A3

SCALE 1:20

SHEET 3 OF 3