

DO NOT SCALE

IF IN DOUBT, ASK!

REVISIONS

REV.	DESCRIPTION	DATE	DRAWN
1	ADDED WEIGHTS	22/08/2016	CC

NOTES:

1. THE SIZING AND DETAILED DESIGN OF THE LOAD-BEARING SUPPORTS MUST BE SPECIFIED AND SIGNED OFF BY THE STRUCTURAL ENGINEER FOR THE PROJECT.
2. E-STACK UNIT SUPPLIED WITH 4 NO. FIXING BRACKETS. ROOF PROFILES ARE INDICATIVE.
3. SHAFT DIVIDER INSULATION NOT REQUIRED.
4. SHAFT DIVIDER MUST PRESERVE AIR-SEPARATION FROM ROOF TERMINAL TO E-STACK.
5. BUILDERS TO CHECK STRUCTURAL OPENING DIMENSIONS AGAINST DRAWING AND REPORT TO BREATHING BUILDINGS IF NOT WITHIN TOLERANCES. IF UNIT IS POSITIONED LESS THAN 2.7M ABOVE THE GROUND, FINGER GUARD GRILLES MUST BE SPECIFIED.
6. MUSHROOM ROOF TERMINAL UNITS MUST BE OFF-LOADED FROM DELIVERY WITH THE PROVIDED "SOFT EYED 6M E.W.L" WEBBING SLINGS S.W.L 1000KG.

MATERIAL:

FINISH

MASS WITHOUT PACKAGING
S1500L 131KG / TERMINAL 215KG

TOLERANCES EXCEPT WHERE OTHERWISE STATED

X	±	0.5MM
X XX	±	0.05MM
ANGLES	±	0.5°

SURFACE TEXTURE TO BE 1.6 UMRA OR BETTER

DE-BURR ALL SHARP EDGES AND HOLES
ITEM MUST BE FREE FROM SCRATCHES, DENTS AND OTHER BLEMISHES.

DIMENSIONS IN MILLIMETRES



15 STURTON STREET, CAMBRIDGE, CB1 2SN
T: 01223 450060 F: 01223 450061
www.breathingbuildings.com/products

TITLE:

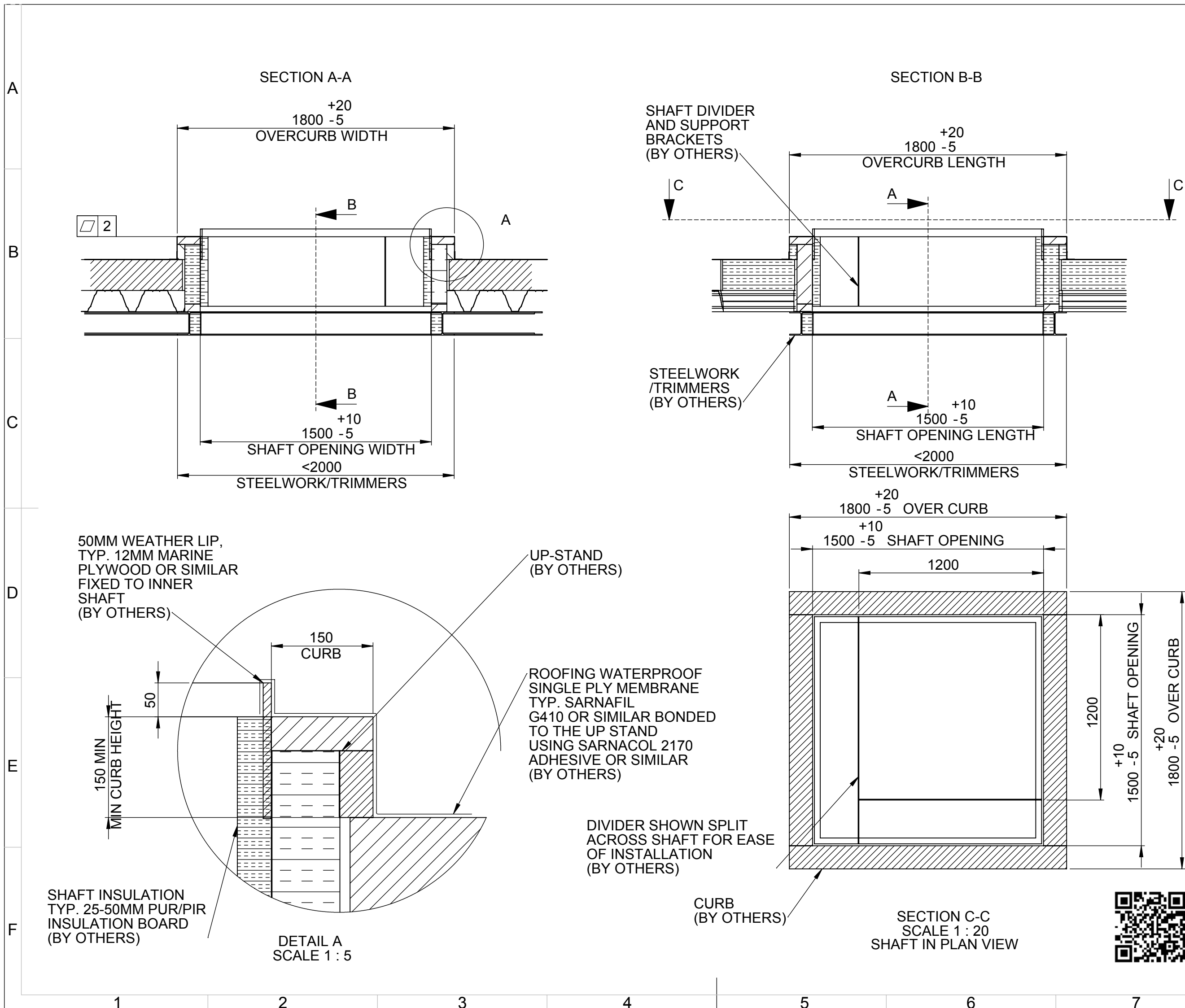
**S1500L E-STACK WITH
PENTHOUSE LOUVRE ROOF
TERMINAL INSTALLATION GA**

DRAWING NO.:

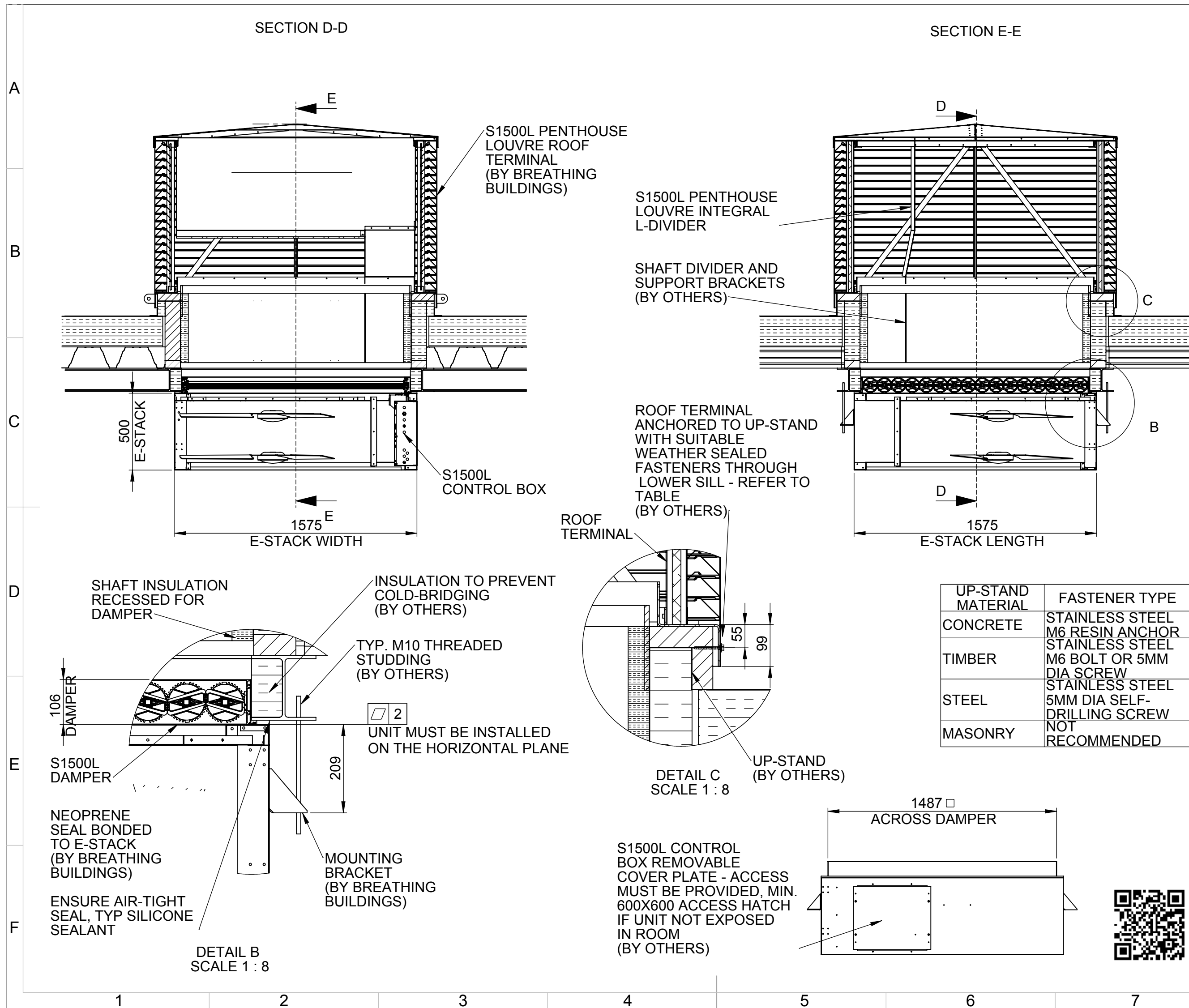
1510_9003

REV	DRAWN	DATE	CHK'D	DATE
1	CC	22/08/2016		

SCALE 1:22 A3 SHEET 1 OF 3



BREATHING BUILDINGS CONTINUOUSLY WORK TO IMPROVE OUR PRODUCTS. TO ENSURE UP TO DATE DRAWINGS, PLEASE CONTACT BREATHING BUILDINGS.



UP-STAND MATERIAL	FASTENER TYPE
CONCRETE	STAINLESS STEEL M6 RESIN ANCHOR
TIMBER	STAINLESS STEEL M6 BOLT OR 5MM DIA SCREW
STEEL	STAINLESS STEEL 5MM DIA SELF-DRILLING SCREW
MASONRY	NOT RECOMMENDED

DO NOT SCALE
IF IN DOUBT, ASK!

REVISIONS			
REV.	DESCRIPTION	DATE	APPROVED
-	See Sheet1	-	-

NOTES:
1. SEE SHEET 1.

MATERIAL:

FINISH

MASS WITHOUT PACKAGING
S1500L 131KG / TERMINAL 215KG

TOLERANCES EXCEPT WHERE OTHERWISE STATED

X	±	0.5MM
XX	±	0.05MM
ANGLES	±	0.5°

SURFACE TEXTURE TO BE 1.6 UMRA OR BETTER

DE-BURR ALL SHARP EDGES AND HOLES
ITEM MUST BE FREE FROM SCRATCHES, DENTS AND OTHER BLEMISHES.

DIMENSIONS IN MILLIMETRES

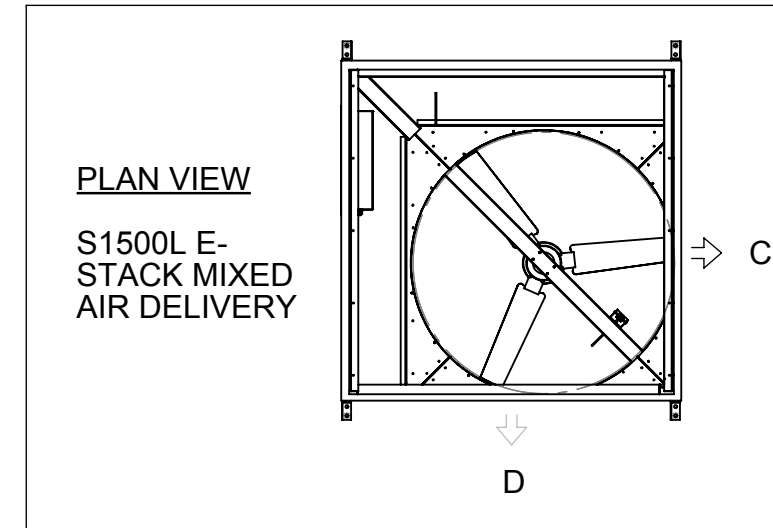
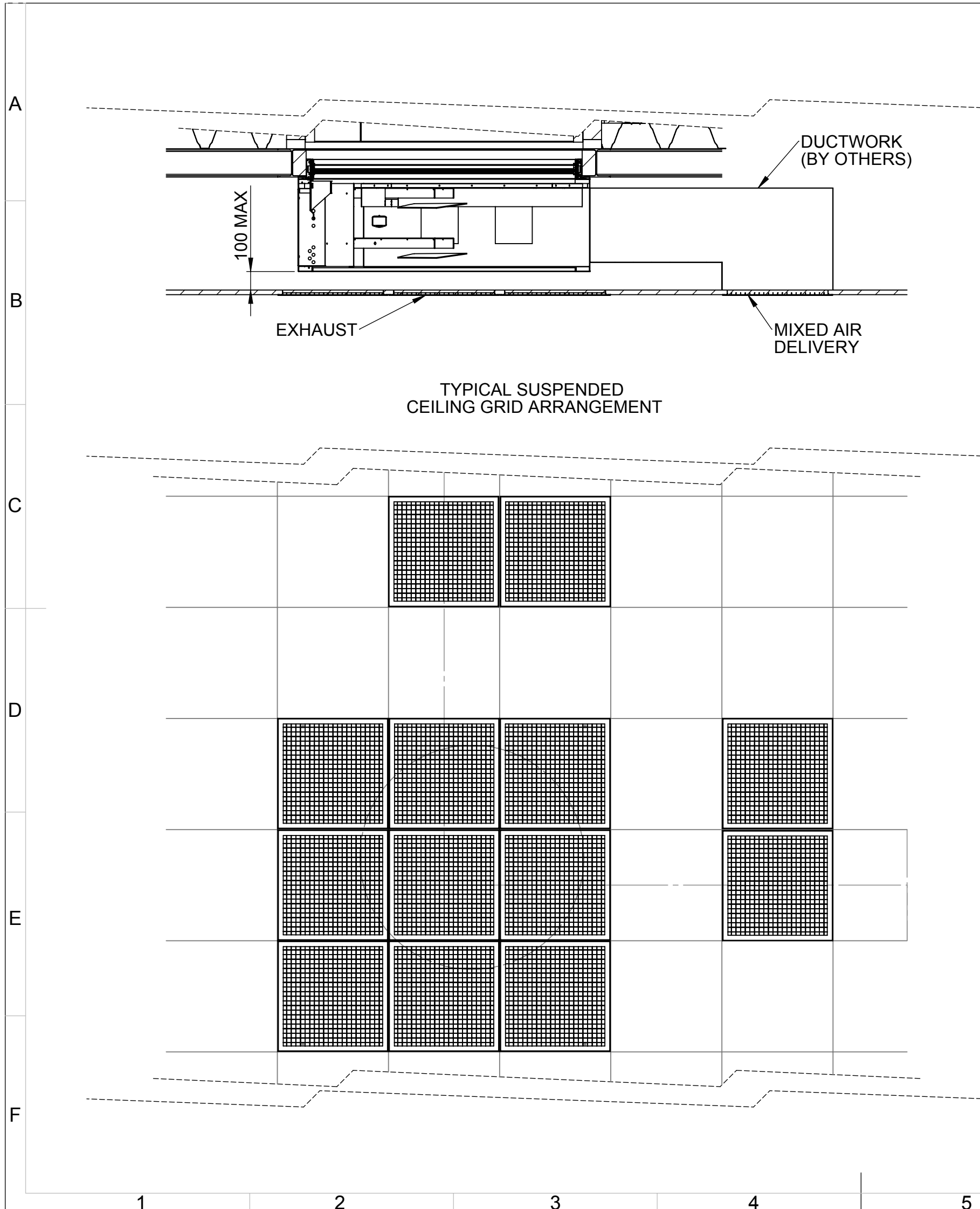
15 STURTON STREET, CAMBRIDGE, CB1 2SN
T: 01223 450060 F: 01223 450061
www.breathingbuildings.com/products

TITLE:
S1500L E-STACK WITH PENTHOUSE LOUVRE ROOF TERMINAL INSTALLATION GA

DRAWING NO:				
REV	DRAWN	DATE	CHK'D	DATE
1	CC	22/08/2016		
SCALE 1:22		A3	SHEET 2 OF 3	

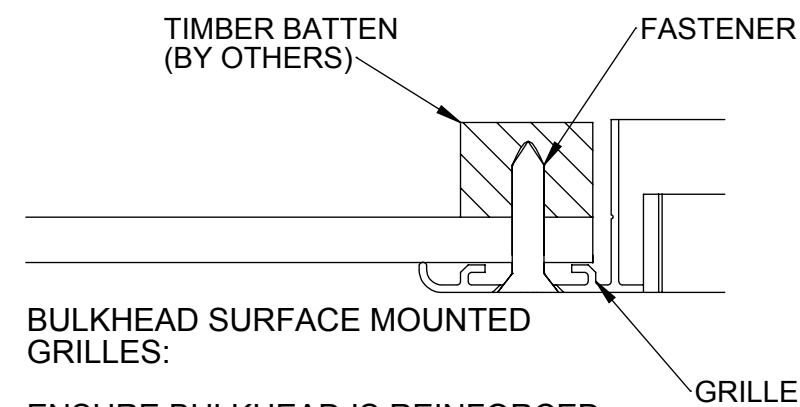


BREATHING BUILDINGS CONTINUOUSLY WORK TO IMPROVE OUR PRODUCTS. TO ENSURE UP TO DATE DRAWINGS, PLEASE CONTACT BREATHING BUILDINGS.



TYPE	POSITION	SIZE	QTY
EGG CRATE	MIXED AIR DELIVERY	600X600	4
EGG CRATE	EXHAUST	600X600	9

FOR GRILLE DIRECT FIT TO E-STACK DETAIL, SEE S1500L UNIT DRAWING



ENSURE BULKHEAD IS REINFORCED SUFFICIENTLY AROUND PERIMETER OF OPEN APERTURE FOR GRILLE FASTENINGS, TYP. TIMBER BATTEN (BY OTHERS)



DO NOT SCALE
IF IN DOUBT, ASK!

REVISIONS			
REV.	DESCRIPTION	DATE	APPROVED
-	See Sheet1	-	-

NOTES:
1. SEE SHEET 1.

MATERIAL:
FINISH
MASS WITHOUT PACKAGING S1500L 131KG / TERMINAL 215KG
TOLERANCES EXCEPT WHERE OTHERWISE STATED
X ± 0.5MM
X.XX ± 0.05MM
ANGLES ± 0.5°
SURFACE TEXTURE TO BE 1.6 UMRA OR BETTER
DE-BURR ALL SHARP EDGES AND HOLES. ITEM MUST BE FREE FROM SCRATCHES, DENTS AND OTHER BLEMISHES.
DIMENSIONS IN MILLIMETRES



15 STURTON STREET, CAMBRIDGE, CB1 2SN
T: 01223 450060 F: 01223 450061
www.breathingbuildings.com/products

TITLE:
S1500L E-STACK WITH PENTHOUSE LOUVRE ROOF TERMINAL INSTALLATION GA

DRAWING NO:
1510_9003

REV	DRAWN	DATE	CHK'D	DATE
1	CC	22/08/2016		

SCALE 1:22 A3 SHEET 3 OF 3