

DO NOT SCALE

IF IN DOUBT, ASK!

| REVISIONS | | | |
|-----------|-------------|------|-------|
| REV. | DESCRIPTION | DATE | DRAWN |
| | | | |

NOTES:

1. THE SIZING AND LOAD BEARING SUPPORTS MUST BE SIGNED OFF BY THE STRUCTURAL ENGINEER FOR THE PROJECT.
2. SITE SPECIFIC DIMENSIONS MUST BE TAKEN OF THE BUILDING AND THE F-SERIES BY THE INSTALLER (I.E. NOT TO SCALE).
3. IF UNDERSIDE OF EXTRACT GRILLE IS <2.7m ABOVE FINISHED FLOOR LEVEL, THEN 'FINGER GUARD' GRILLES MUST BE SPECIFIED.
4. UNIT SUPPLIED PRE-ASSEMBLED WITH 4 NO. MOUNTING BRACKETS.
5. DIMENSION A - FOR INSTALLATION PURPOSES, ENSURE SUFFICIENT GAP BETWEEN OBJECT (I.E. SIDE WALL) AND F500.

MATERIAL:

N/A

FINISH

N/A

MASS WITHOUT PACKAGING

TOLERANCES EXCEPT WHERE OTHERWISE STATED

| | | |
|--------|---|--------|
| X | ± | 0.5MM |
| X.XX | ± | 0.05MM |
| ANGLES | ± | 0.5° |

SURFACE TEXTURE TO BE 1.6 UMRA OR BETTER

DE-BURR ALL SHARP EDGES AND HOLES
ITEM MUST BE FREE FROM SCRATCHES, DENTS AND OTHER BLEMISHES.

DIMENSIONS IN MILLIMETRES



15 STURTON STREET, CAMBRIDGE, CB1 2SN
T: 01223 450060 F: 01223 450061
www.breathingbuildings.com/products

TITLE:

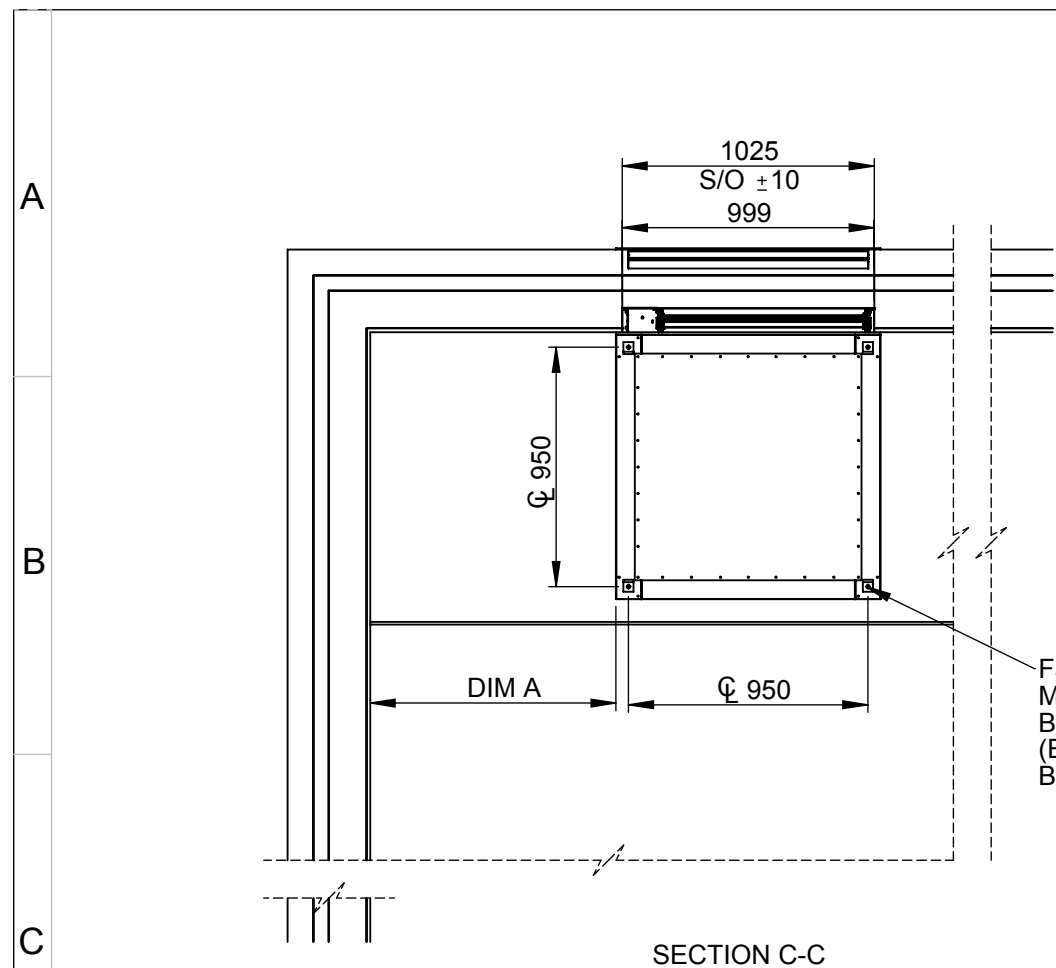
DRAWING NO:

1508_9003

| REV | DRAWN | DATE | CHK'D | DATE |
|-----|-------|------|-------|------|
| | | | | |

| | | | | |
|----|------------|--|--|--|
| CC | 04/07/2016 | | | |
|----|------------|--|--|--|

| | | |
|------------|----|--------------|
| SCALE 1:30 | A3 | SHEET 1 OF 1 |
|------------|----|--------------|

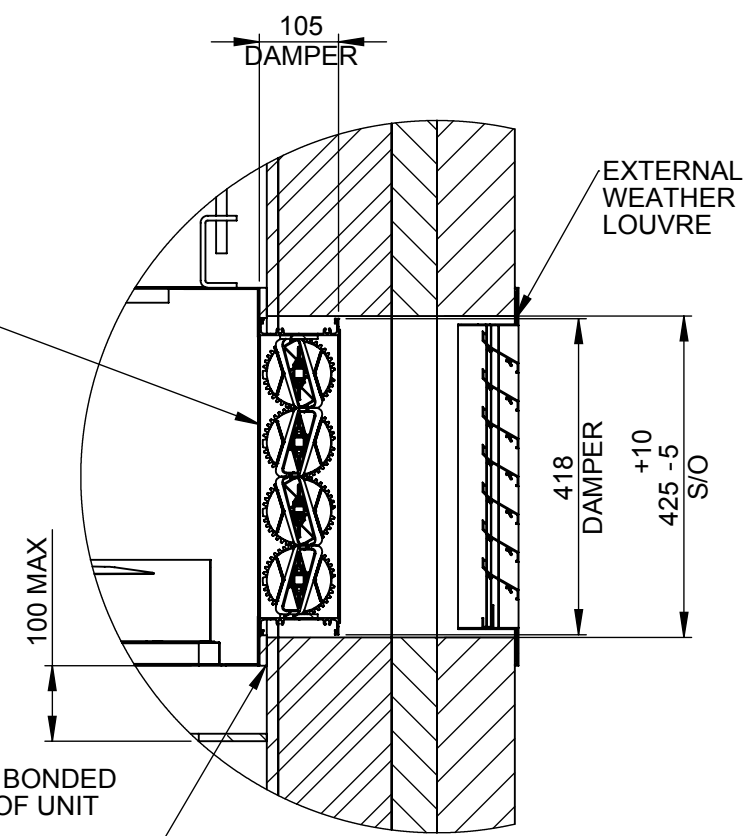


SECTION C-C

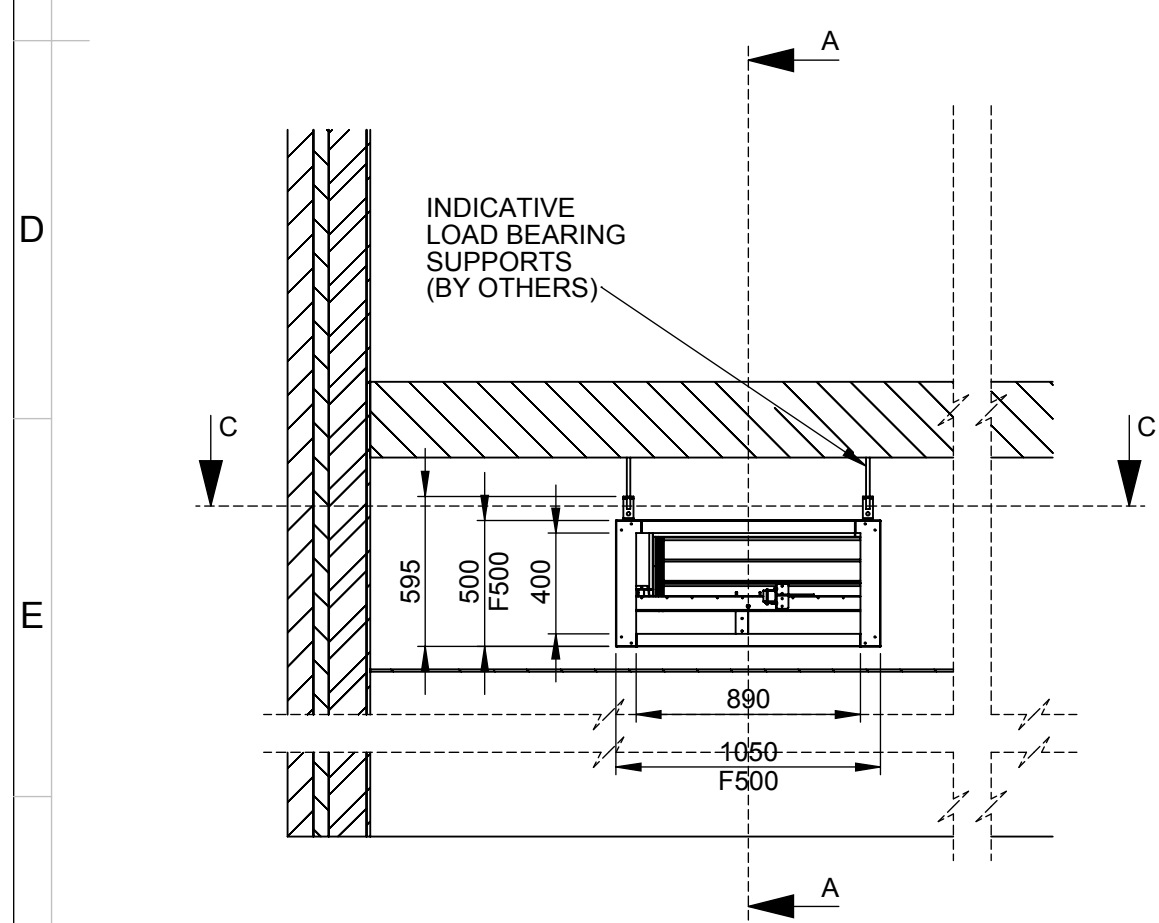
F500 CLASSIC MOUNTING BRACKETS (BY BREATHING BUILDINGS)

F500 CLASSIC DAMPER (BY BREATHING BUILDINGS)

NEOPRENE SEAL BONDED TO FRONT FACE OF UNIT
- ENSURE EFFECTIVE AIR-TIGHT SEAL BETWEEN E-STACK AND WALL



DETAIL A SCALE 1 : 10



SECTION B-B

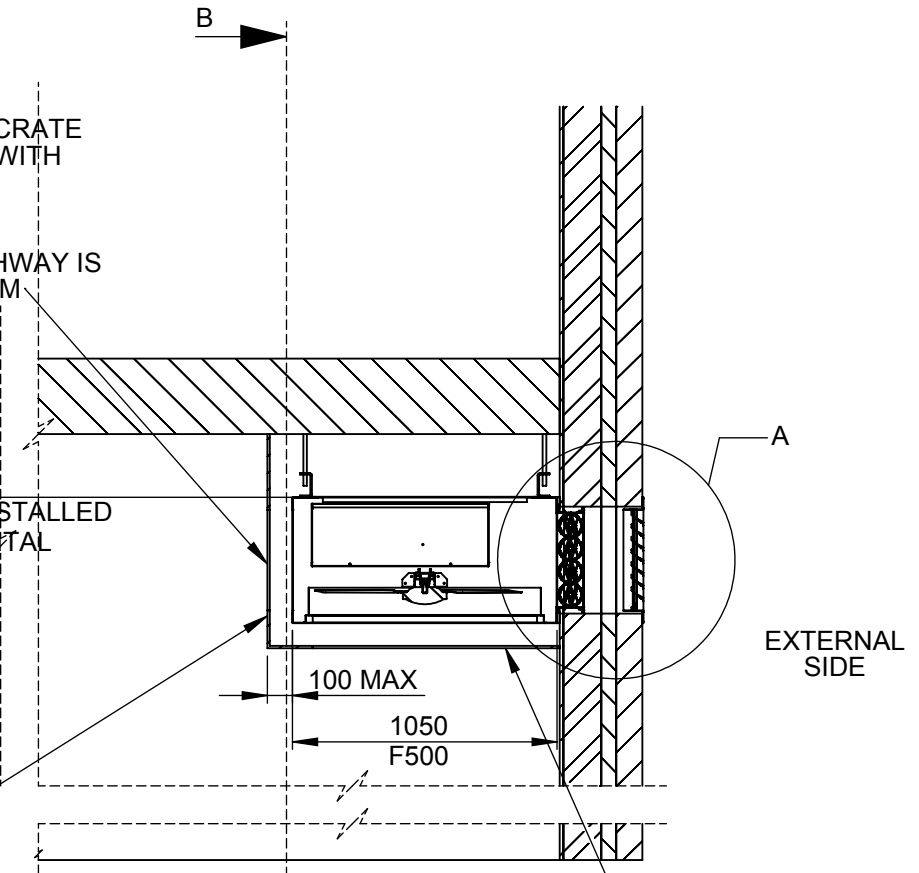
890X400MM EGG CRATE GRILLE ALIGNED WITH F500 SIDE OPEN APERTURE

ENSURE AIR PATHWAY IS DUCTED IF >100MM

UNIT MUST BE INSTALLED ON THE HORIZONTAL PLANE

INDICATIVE BULKHEAD (BY OTHERS)

ROOM SIDE



SECTION A-A

890X890MM EGG CRATE GRILLE ALIGNED WITH F500 BASE OPEN APERTURE

