

**DO NOT SCALE**

**IF IN DOUBT, ASK!**

REVISIONS

REV.	DESCRIPTION	DATE	DRAWN
1	ADDED NOTE	03/11/15	CC

NOTES:

- UNIT COLOUR WHITE AS STANDARD. REFER TO QUOTATION / CONTRACT / VARIATION ORDER SCHEDULE FOR DETAILS OF COLOUR AND COSTS.
- SUPPLIED PRE-ASSEMBLED WITH 4 NO. FIXING BRACKETS TYPE A SHOWN, TYPE B AVAILABLE.
- DAMPER BLADES SHOWN IN OPEN POSITION.
- DATUM [A] - ADDITIONAL DUCTWORK FIXING/SEALING - FASTENERS AND/OR FIXINGS MUST NOT INTERFERE WITH DAMPER MECHANISM. MIN. 235MM ON ALL SIDES. WALL SLEEVE IS OPTIONAL (BY BREATHING BUILDINGS).

MATERIAL:  
FOAM PVC, CLASS 1Y FIRE RETARDANT

FINISH  
SATIN

MASS WITHOUT PACKAGING  
<50KG

TOLERANCES EXCEPT WHERE OTHERWISE STATED

X	±	0.5MM
X XX	±	0.05MM
ANGLES	±	0.5°

SURFACE TEXTURE TO BE 1.6 UMRA OR BETTER

DE-BURR ALL SHARP EDGES AND HOLES  
ITEM MUST BE FREE FROM SCRATCHES, DENTS AND OTHER BLEMISHES.

DIMENSIONS IN MILLIMETRES



15 STURTON STREET, CAMBRIDGE, CB1 2SN  
T: 01223 450060 F: 01223 450061  
www.breathingbuildings.com/products

TITLE:

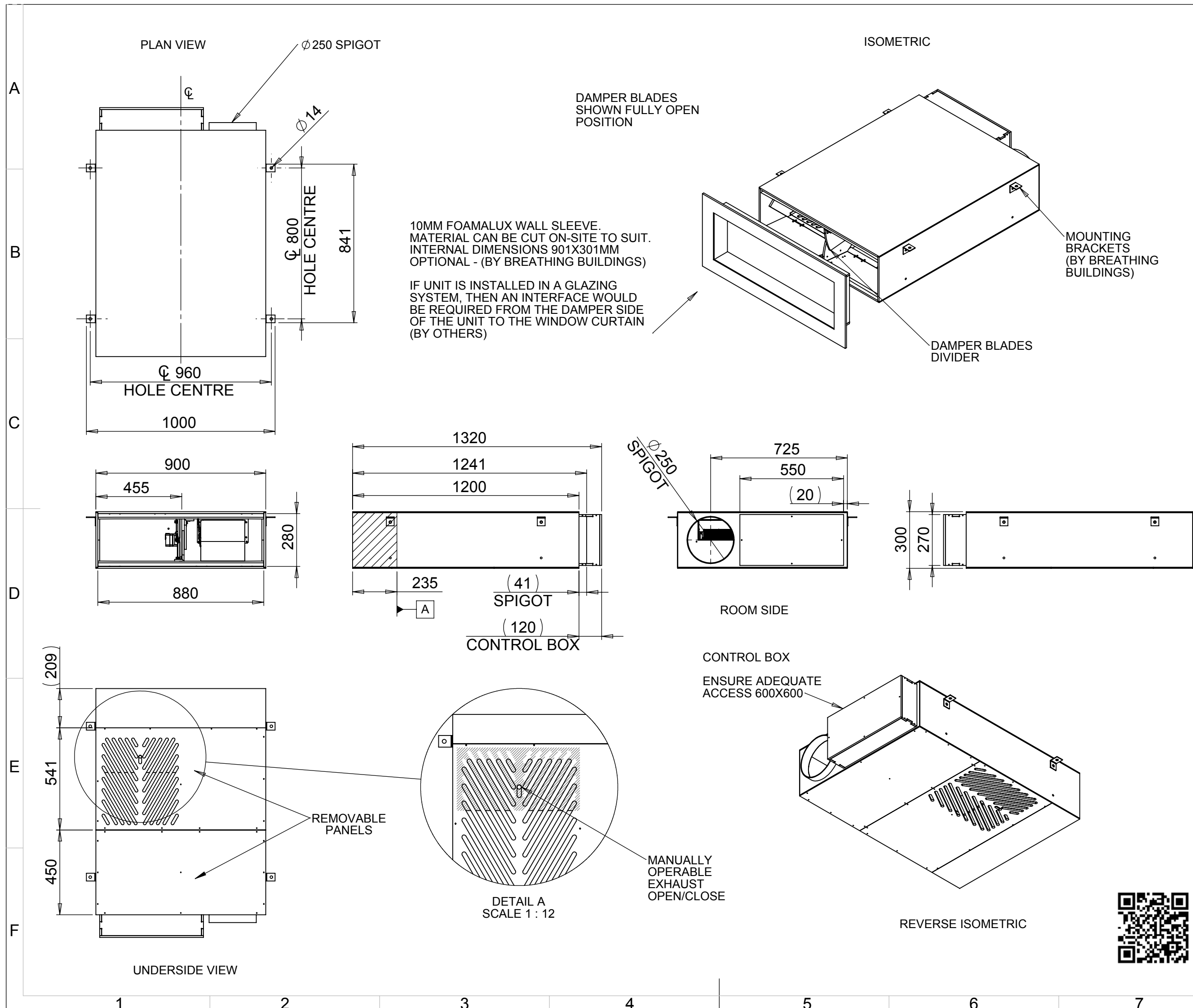
NVHR 1A

DRAWING NO.:

1503\_9001

REV	DRAWN	DATE	CHK'D	DATE
1	CC	11/03/2015		

SCALE 1:18 A3 SHEET 1 OF 1



BREATHING BUILDINGS CONTINUOUSLY WORK TO IMPROVE OUR PRODUCTS. TO ENSURE UP TO DATE DRAWINGS, PLEASE CONTACT BREATHING BUILDINGS.