

DO NOT SCALE

IF IN DOUBT, ASK!

REVISIONS

REV.	DESCRIPTION	DATE	DRAWN
1	FIRST ISSUE	22/08/2014	CC
2	NOTES	27/11/2014	CC
3	ADDED SHEET 2	18/12/2014	CC

Notes:

- The sizing and load bearing supports must be signed off by the Structural Engineer for the project.
- Site specific dimensions must be taken of the building and the S-Series by the installer (i.e. not to scale).
- If underside of extract grille is <2.7m above finished floor level, then 'finger guard' grilles must be specified.
- Balancing damper/actuated high-level window opening not shown - see Sheet 2.
- Dimension A - for installation purposes, ensure sufficient gap between object (i.e. side wall) and S1000.

TOLERANCES EXCEPT WHERE OTHERWISE STATED

X	±	0.5MM
X.XX	±	0.05MM
ANGLES	±	0.5°

SURFACE TEXTURE TO BE 1.6 UMRA OR BETTER

DE-BURR ALL SHARP EDGES AND HOLES. ITEM MUST BE FREE FROM SCRATCHES, DENTS AND OTHER BLEMISHES.

DIMENSIONS IN MILLIMETRES



15 STURTON STREET, CAMBRIDGE, CB1 2SN
T: 01223 450060 F: 01223 450061
WWW.BREATHINGBUILDINGS.COM

TITLE:

S1000 (1050X1050X500) INSTALLATION
GA

DRAWING NO:

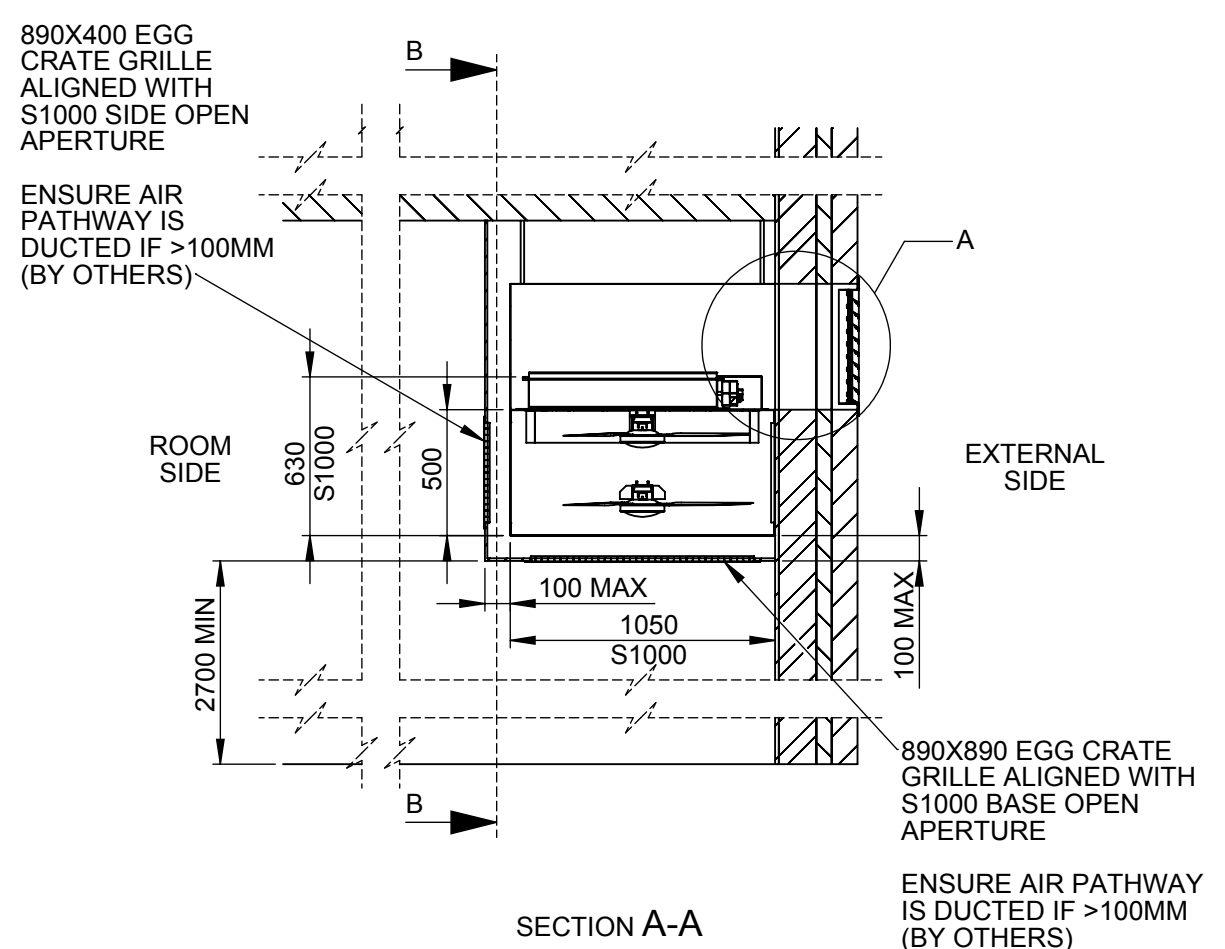
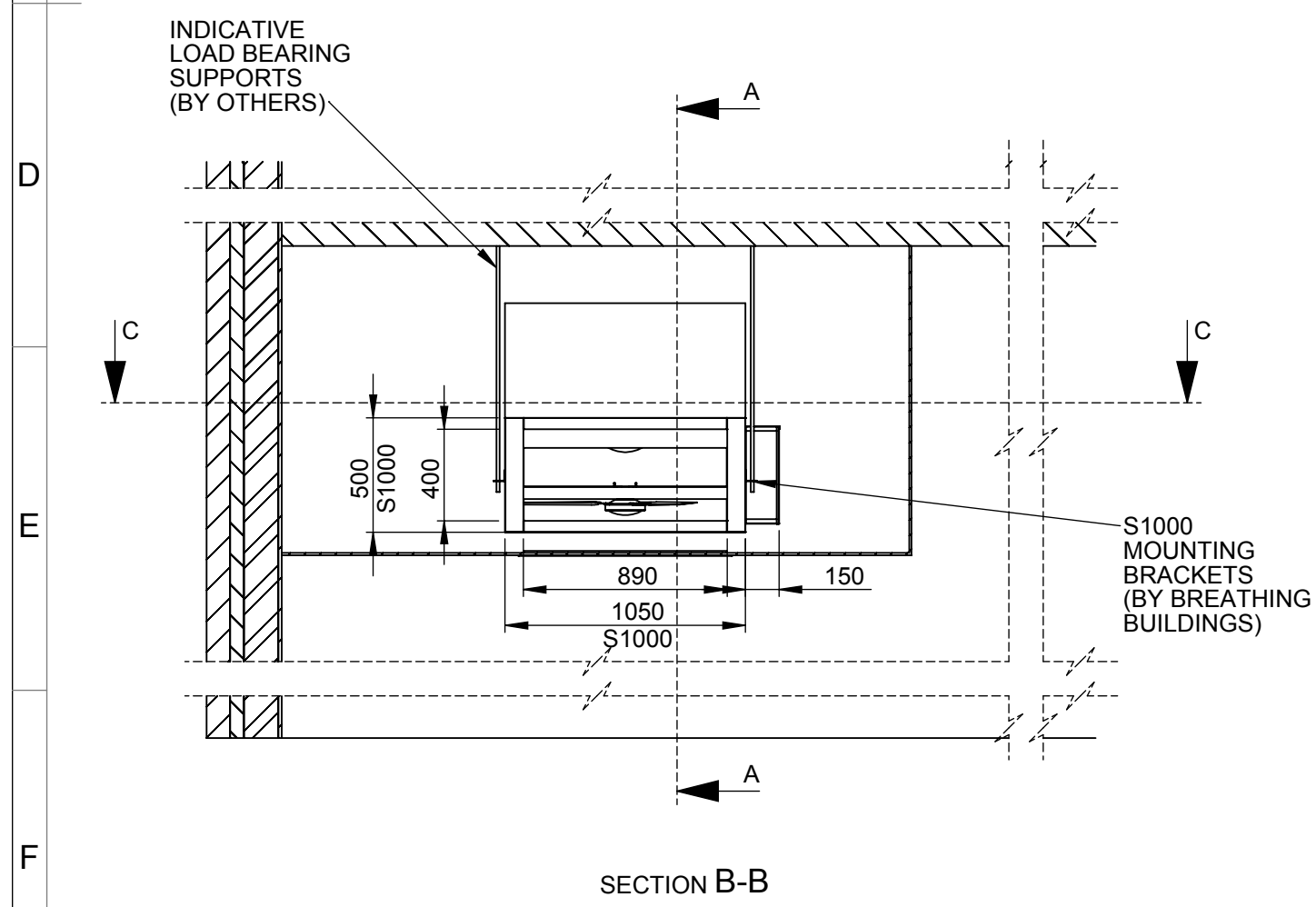
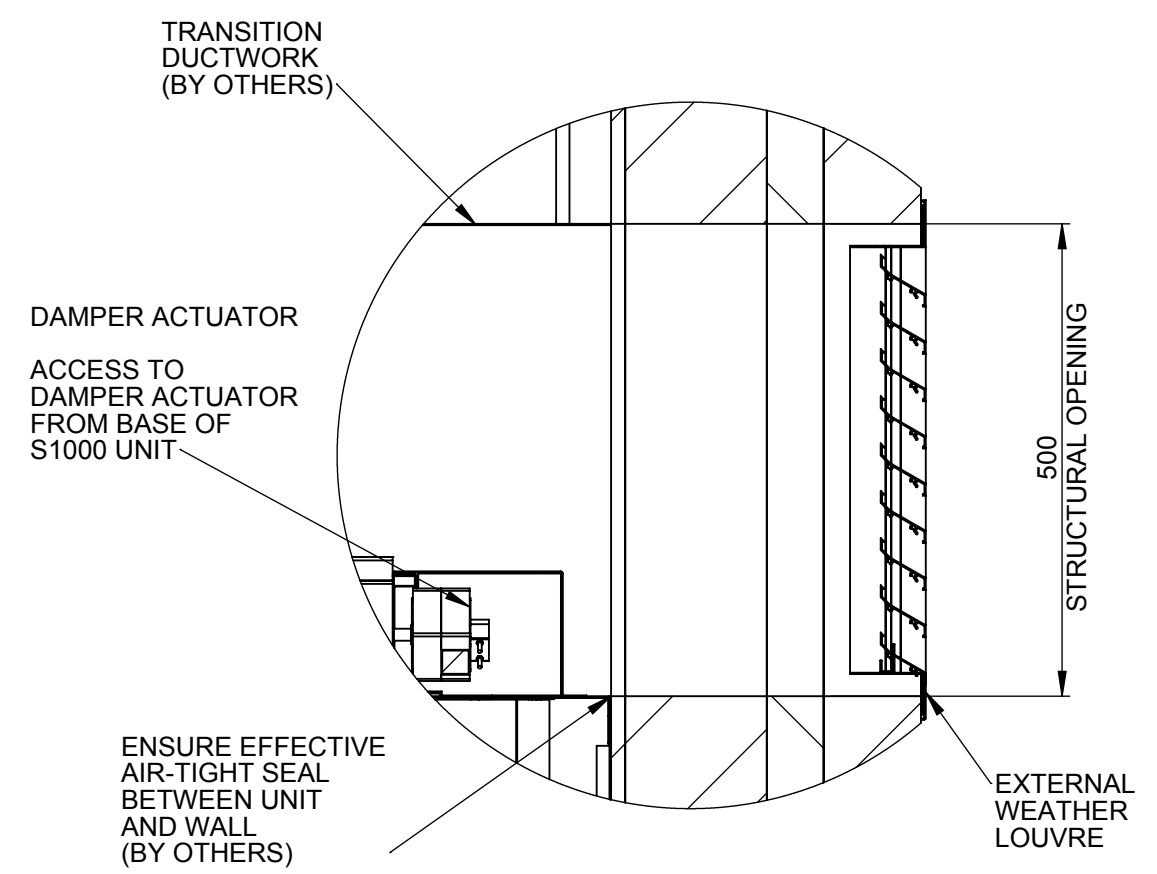
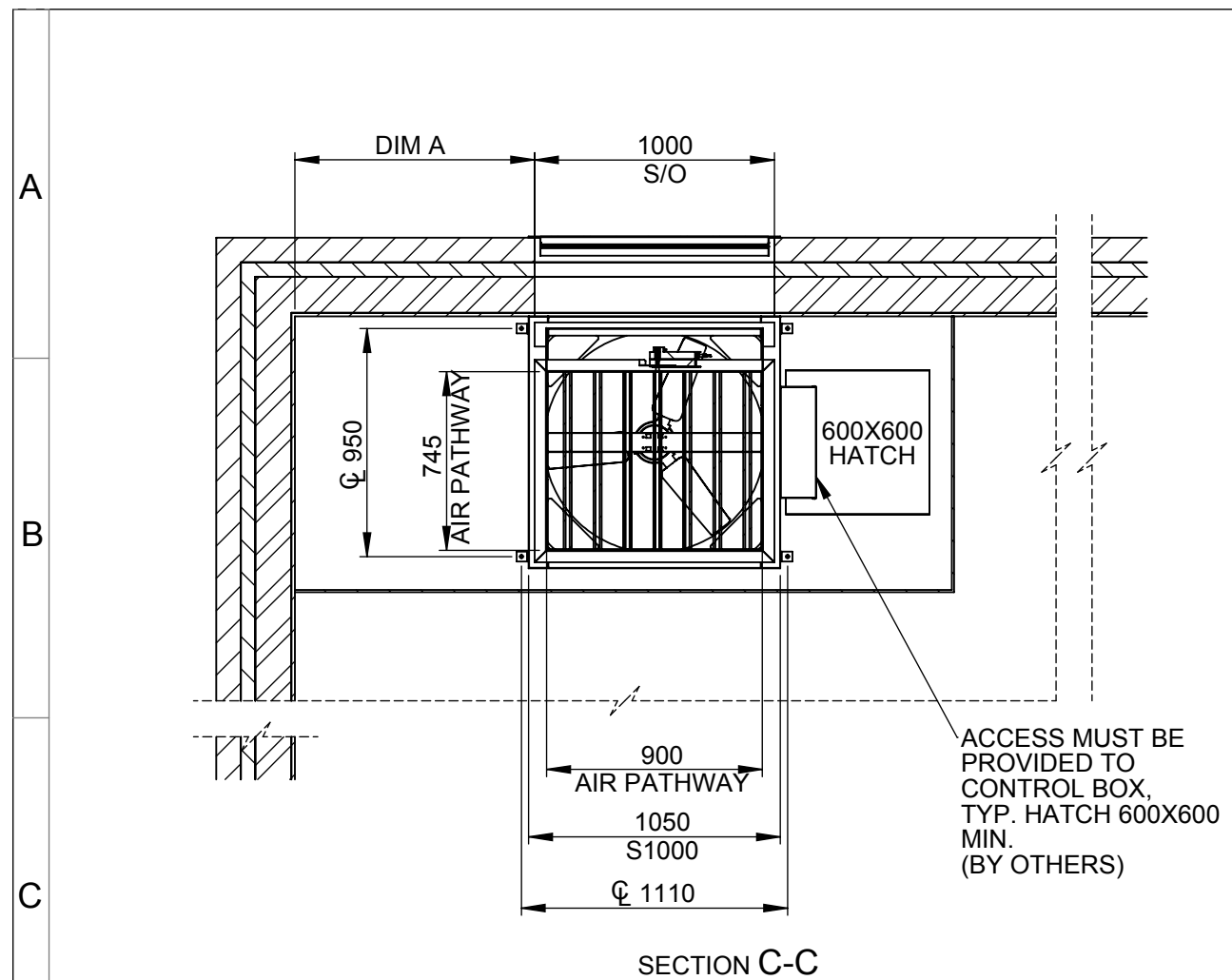
1410_9004_03

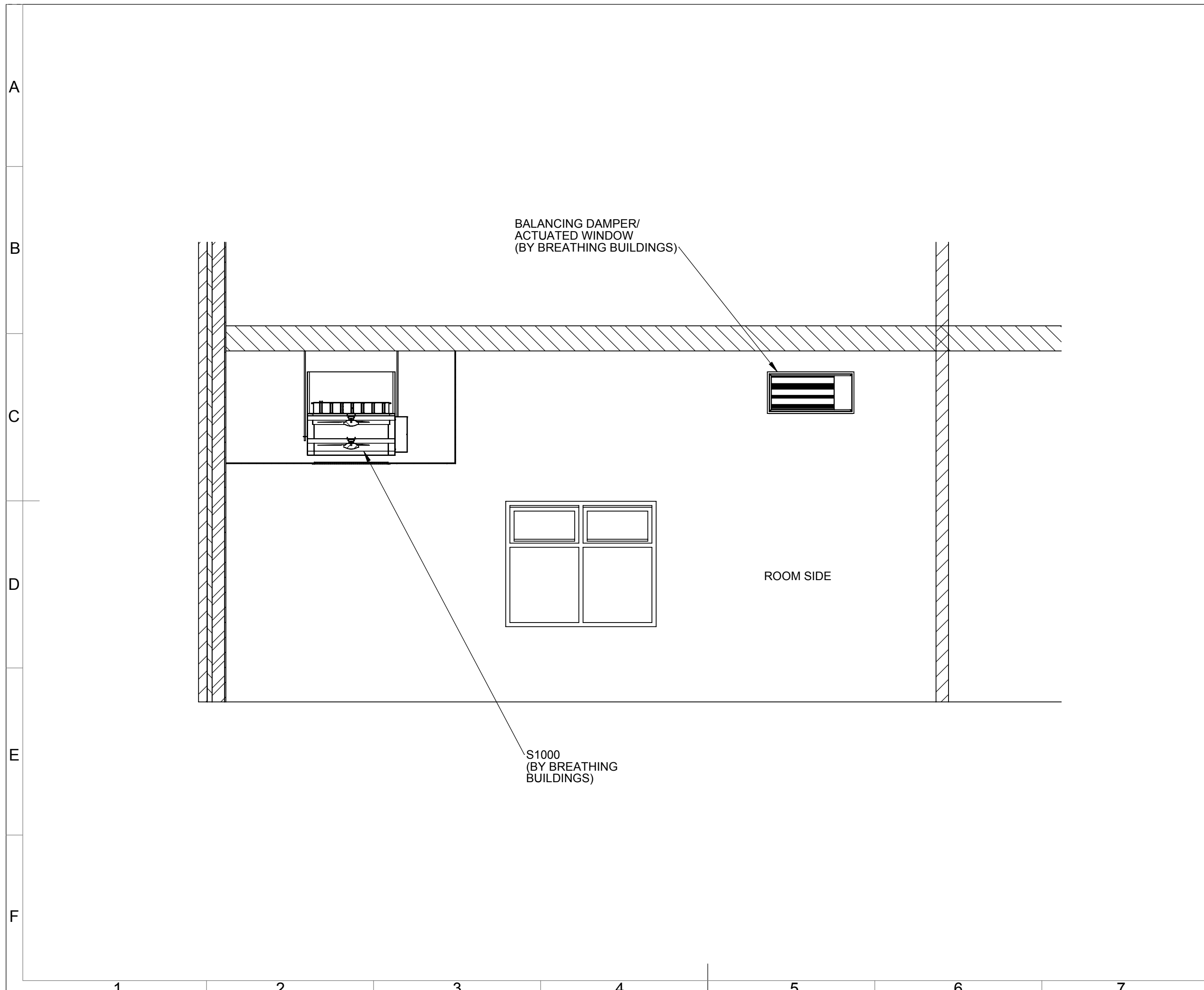
MATERIAL:

FINISH:

REV	DRAWN	DATE	CHK'D	DATE
3	CC	18/12/2014		

SCALE 1:30 A3 SHEET 1 OF 2





DO NOT SCALE

IF IN DOUBT, ASK!

REVISIONS

ZONE	REV.	DESCRIPTION	DATE	APPROVED
-	-	See Sheet1	-	-

TOLERANCES EXCEPT WHERE OTHERWISE STATED

X	±	0.5MM
X.XX	±	0.05MM
ANGLES	±	0.5°

SURFACE TEXTURE TO BE 1.6 UMRA OR BETTER

DE-BURR ALL SHARP EDGES AND HOLES
ITEM MUST BE FREE FROM SCRATCHES, DENTS AND OTHER BLEMISHES.

DIMENSIONS IN MILLIMETRES



15 STURTON STREET, CAMBRIDGE, CB1 2SN
T: 01223 450060 F: 01223 450061
WWW.BREATHINGBUILDINGS.COM

TITLE:

S1000 (1050X1050X500) INSTALLATION
GA

DRAWING NO:

1410_9004_03

MATERIAL:

FINISH:

REV	DRAWN	DATE	CHK'D	DATE
3	CC	18/12/2014		

SCALE 1:30 A3 SHEET 2 OF 2