

DO NOT SCALE

IF IN DOUBT, ASK!

REVISIONS

REV.	DESCRIPTION	DATE	DRAWN
1	FIRST ISSUE	26/03/2014	CC
2	WEATHER LIP	29/10/2014	CC
3	UPSTAND	18/11/2014	CC

NOTES:

1. COMPATIBLE WITH S1200 CLASSIC E-STACK. DO NOT LIFT BY THE LOUVRE BLADES.

TOLERANCES EXCEPT WHERE OTHERWISE STATED

X	±	0.5MM
X.XX	±	0.05MM
ANGLES	±	0.5°

SURFACE TEXTURE TO BE 1.6 UMRA OR BETTER

DE-BURR ALL SHARP EDGES AND HOLES. ITEM MUST BE FREE FROM SCRATCHES, DENTS AND OTHER BLEMISHES.

DIMENSIONS IN MILLIMETRES



15 STURTON STREET, CAMBRIDGE, CB1 2SN
T: 01223 450060 F: 01223 450061
WWW.BREATHINGBUILDINGS.COM

TITLE:

S1200 CLASSIC PENTHOUSE LOUVRE ROOF TERMINAL (BBL)

DRAWING NO:

1346_9500_03

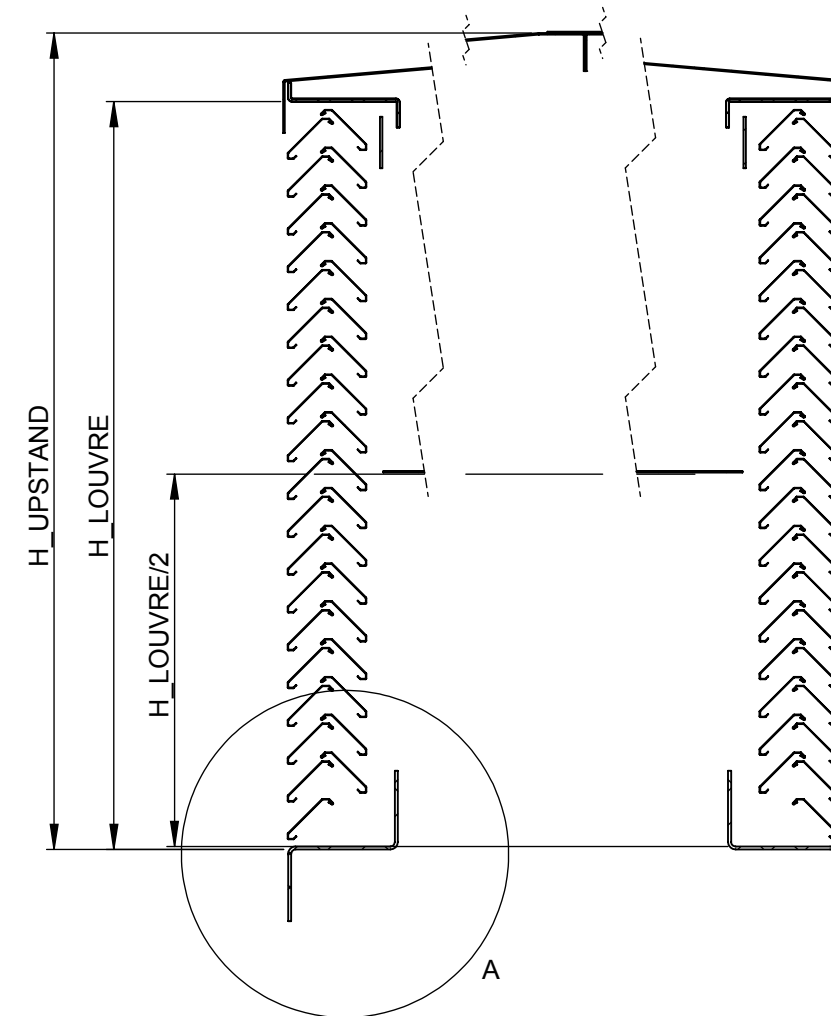
MATERIAL: ALUMINIUM

FINISH: MILL (STD) OR POWDER COAT

REV	DRAWN	DATE	CHK'D	DATE
3	CC	18/11/2014		

SCALE 1:25 A3 SHEET 1 OF 1

SECTION A-A
SCALE 1 : 10



A

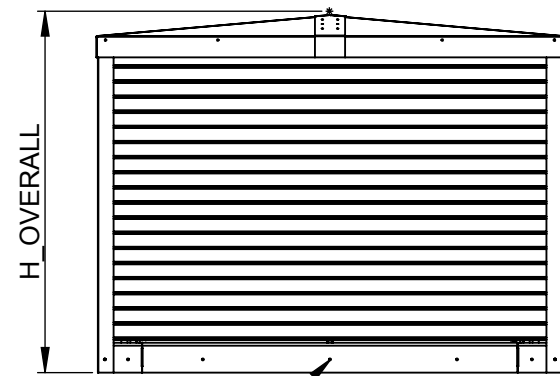
B

C

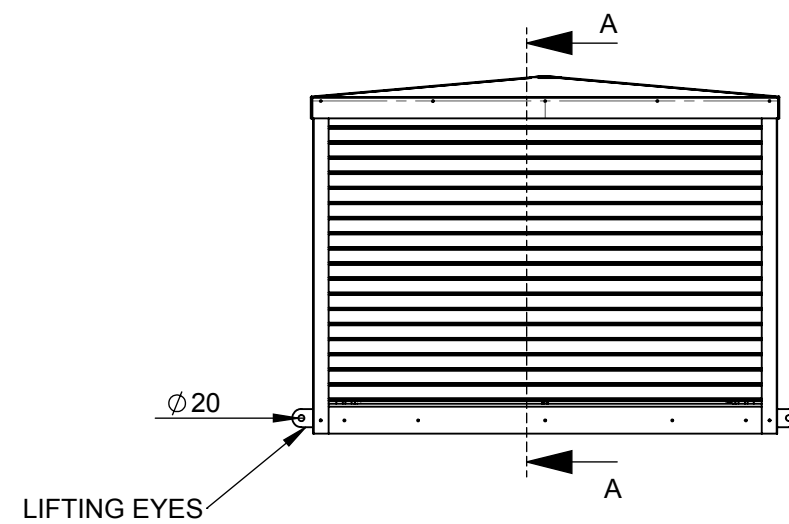
D

E

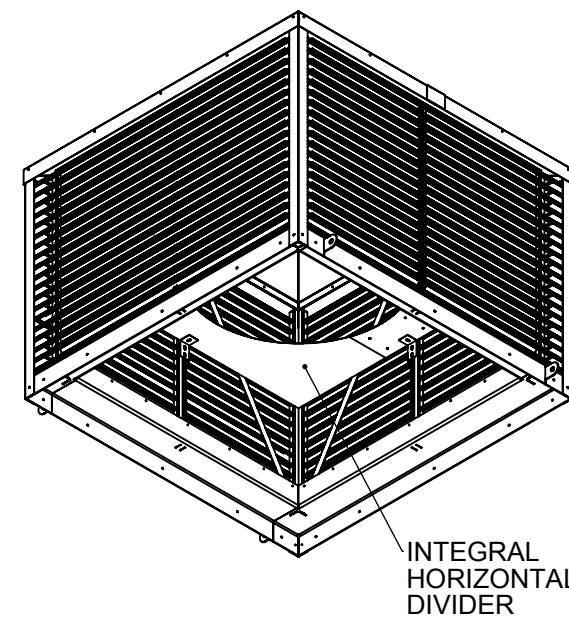
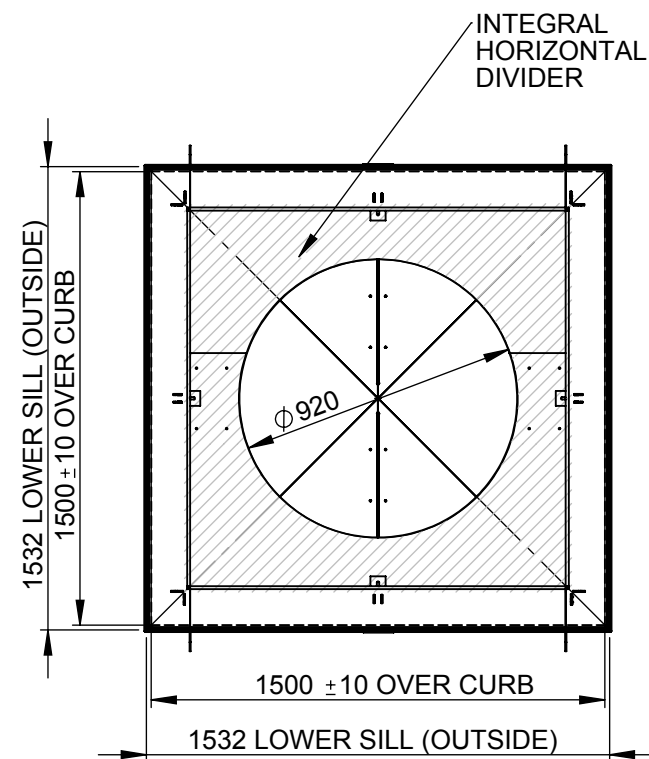
F



PRE-DRILLED HOLES IN LOWER CILL FOR FIXINGS
HOLE SIZE $\phi 6.8$



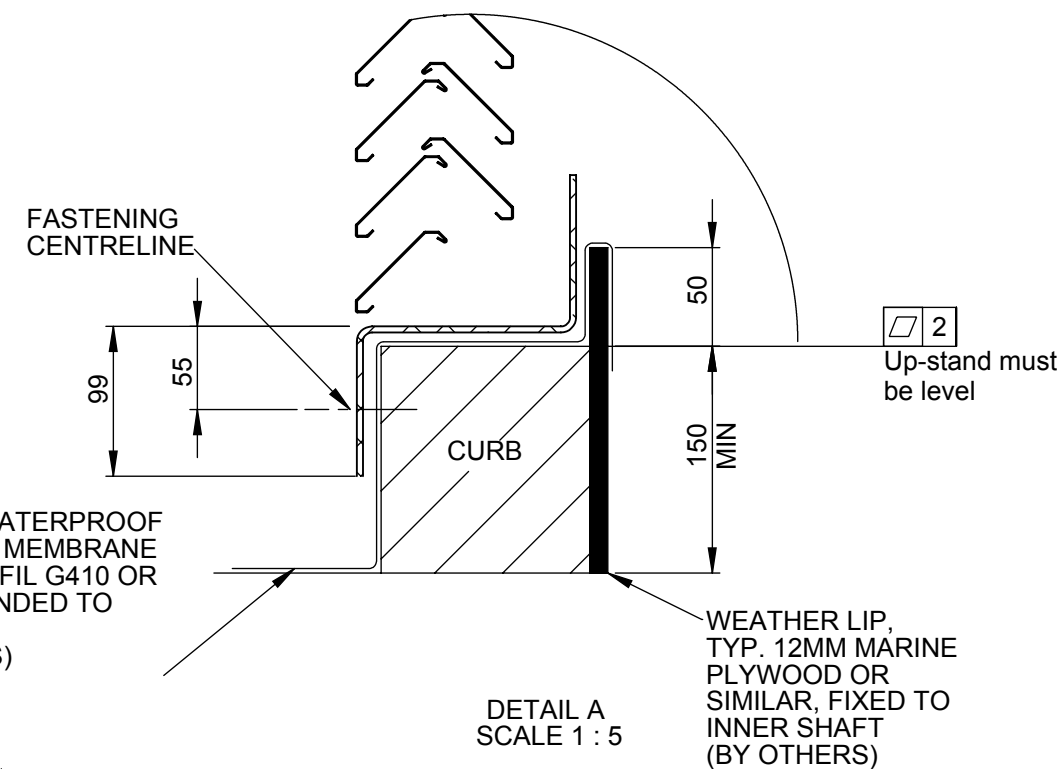
LIFTING EYES



INTEGRAL HORIZONTAL DIVIDER

TYPE	H_LOUVRE	H_UPSTAND	H_OVERALL
E	985	1105	1200
F	785	905	1000

UP-STAND MATERIAL	FIXING
CONCRETE	M6 STAINLESS STEEL RESIN ANCHOR
TIMBER	M6 STAINLESS STEEL BOLT OR 5MM DIA. SCREW
STEEL	5MM DIA. STAINLESS STEEL SELF-TAPPING SCREW
MASONRY	NOT RECOMENDED



ROOFING WATERPROOF SINGLE PLY MEMBRANE TYP. SARNAFIL G410 OR SIMILAR BONDED TO UP-STAND (BY OTHERS)

DETAIL A
SCALE 1 : 5

WEATHER LIP, TYP. 12MM MARINE PLYWOOD OR SIMILAR, FIXED TO INNER SHAFT (BY OTHERS)

Up-stand must be level