

DO NOT SCALE

IF IN DOUBT, ASK!

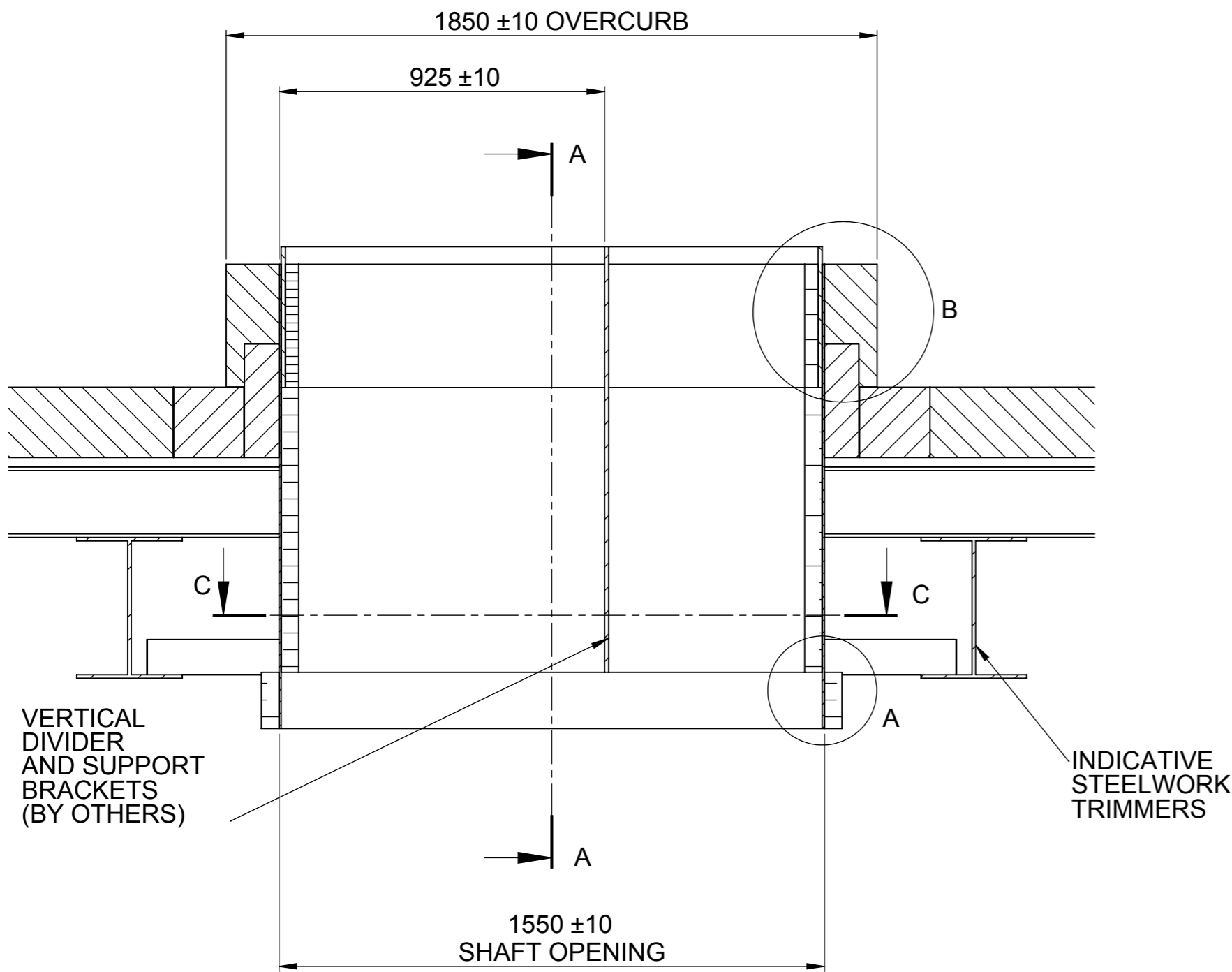
REVISIONS

REV.	DESCRIPTION	DATE	DRAWN
1	FIRST ISSUE	04/08/2014	CC
2	NOTES/LAYOUT	18/09/2014	CC
3	UPSTAND	18/11/2014	CC

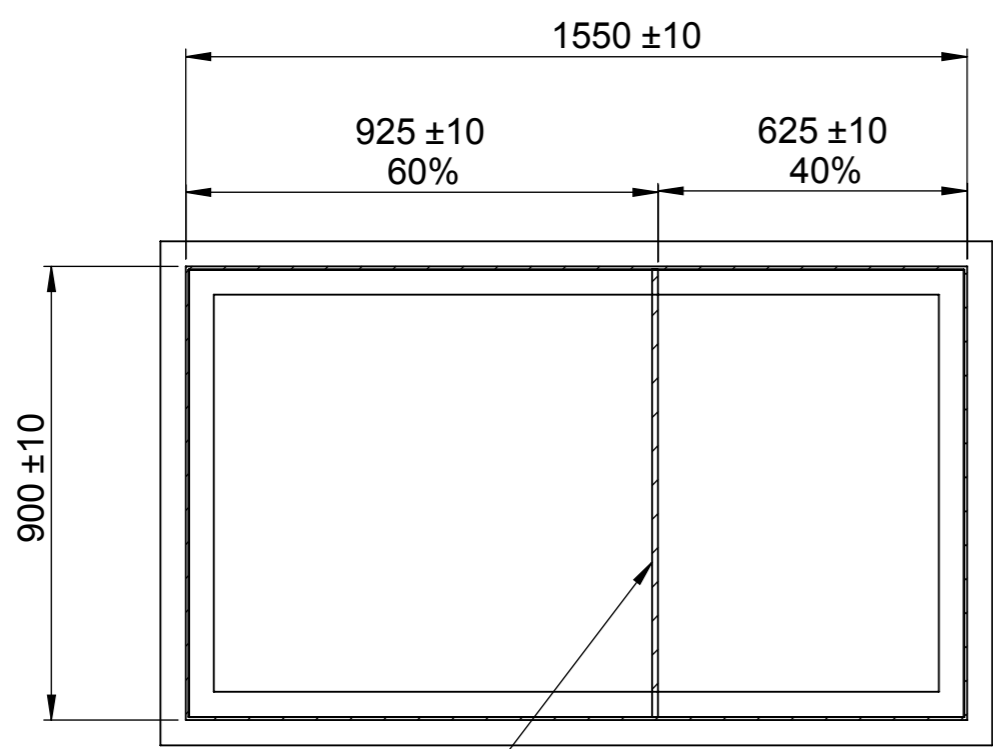
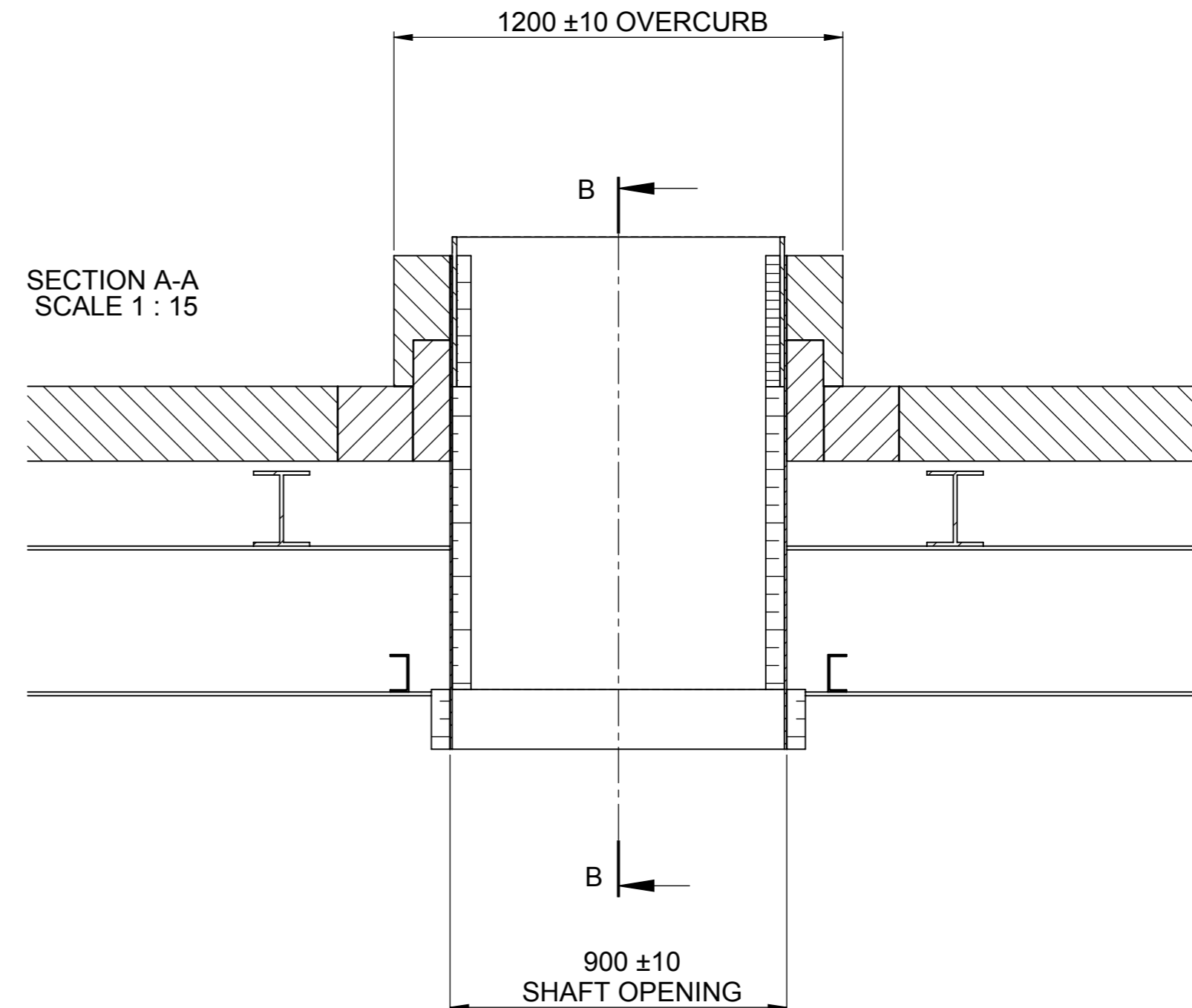
NOTES:

1. THE SIZING AND DETAILED DESIGN OF THE LOAD-BEARING SUPPORTS MUST BE SPECIFIED AND SIGNED OFF BY THE STRUCTURAL ENGINEER FOR THE PROJECT.
2. BUILDERS TO CHECK STRUCTURAL OPENING DIMENSIONS AGAINST DRAWING AND REPORT IF NOT WITHIN TOLERANCES.
3. MIXED AIR DELIVERY HANDLING TO BE CONFIRMED PRIOR TO ORDER - TYPE B STANDARD.
4. R-SERIES WEIGHT (WITHOUT PALLET AND GRILLES) - APPROX. 86KG.
5. DIVIDER TO BE ALIGNED WITH SIMILAR DIVIDER IN SHAFT AND ROOF TERMINAL DURING INSTALLATION TO CREATE TWO AIR PATHWAYS.
6. IF UNIT IS POSITIONED LESS THAN 2.7M ABOVE GROUND, FINGER GUARD GRILLES MUST BE USED.

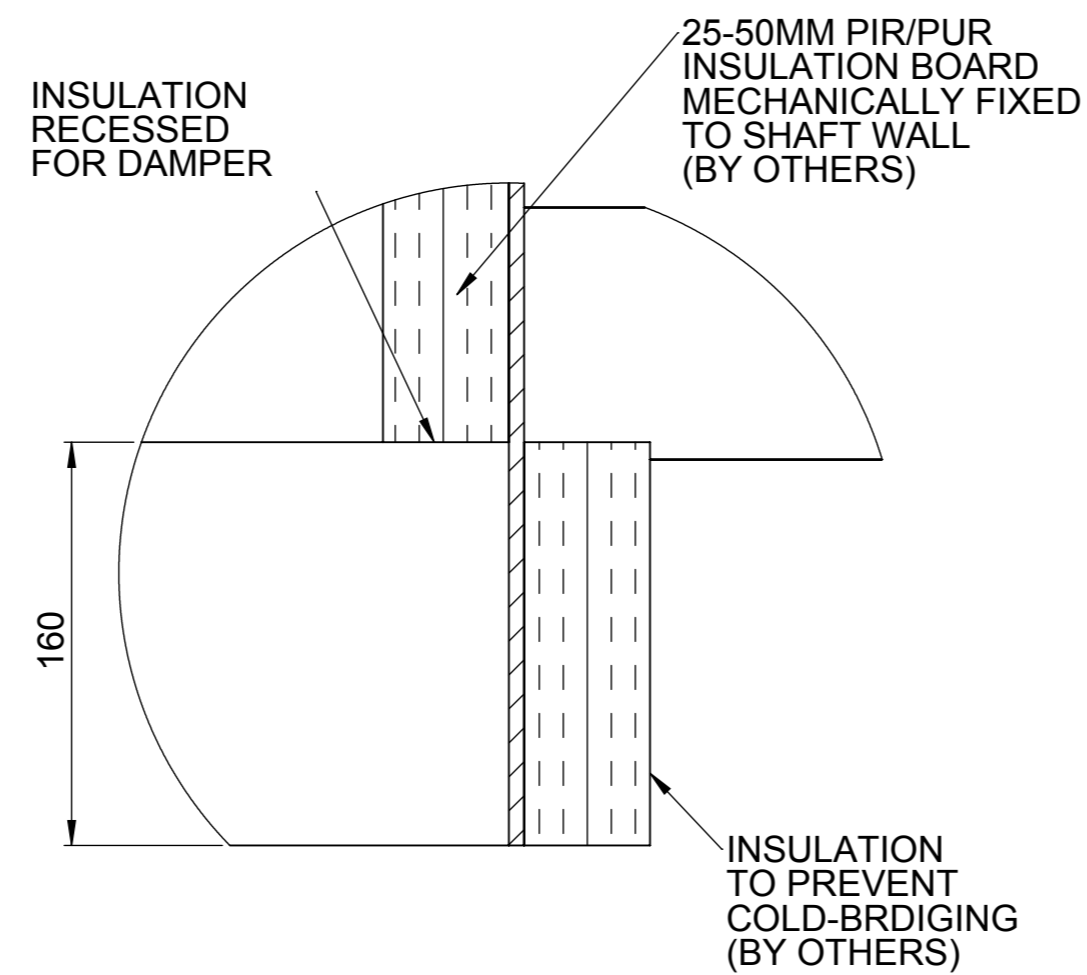
SECTION B-B
SCALE 1 : 15



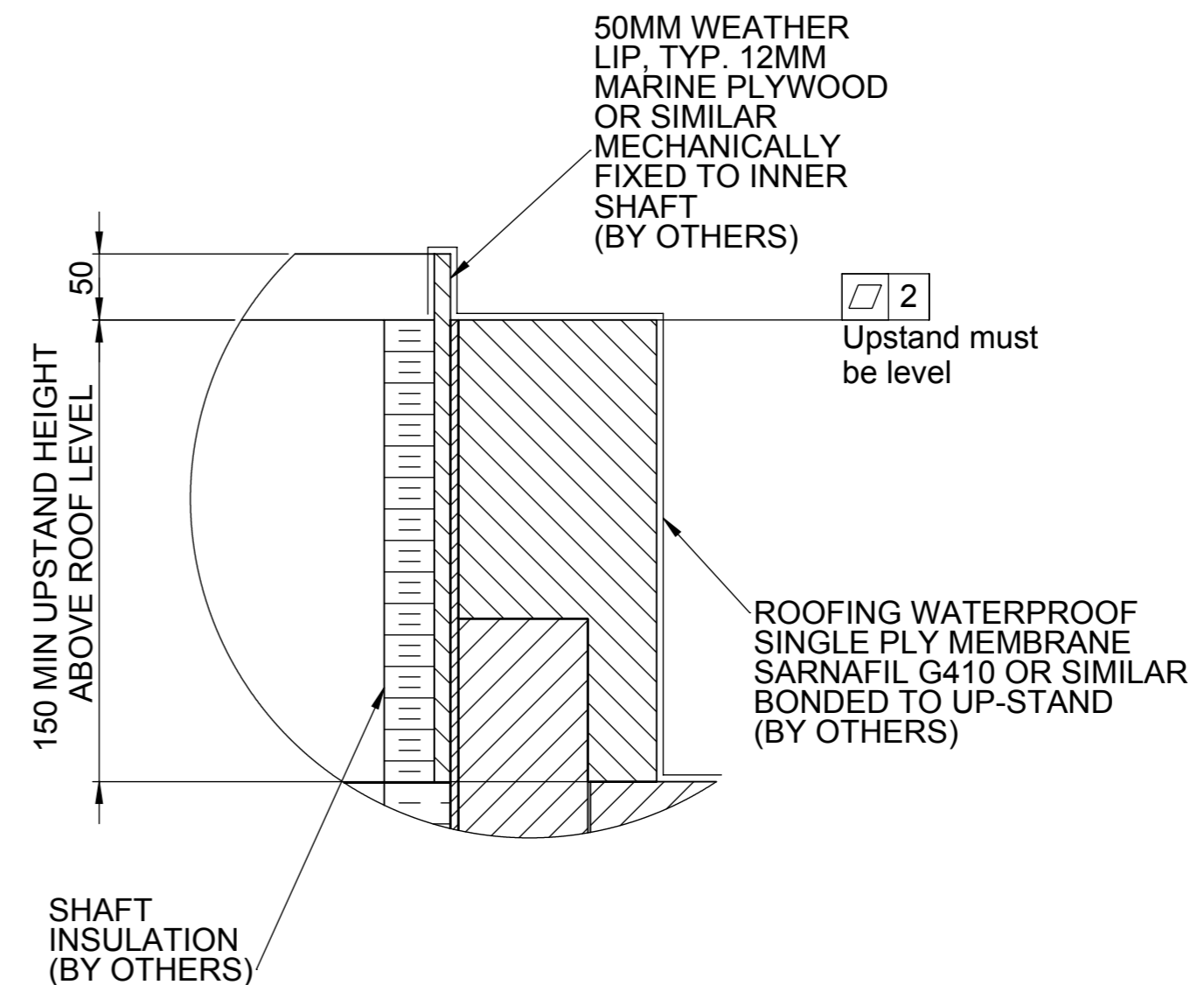
SECTION A-A
SCALE 1 : 15



SECTION C-C
SCALE 1 : 15
SHAFT IN PLAN VIEW



DETAIL A
SCALE 1 : 3



DETAIL B
SCALE 1 : 5

TOLERANCES EXCEPT WHERE OTHERWISE STATED

X	±	0.5MM
X.XX	±	0.05MM
ANGLES	±	0.5°

SURFACE TEXTURE TO BE 1.6 UMRA OR BETTER

DE-BURR ALL SHARP EDGES AND HOLES
ITEM MUST BE FREE FROM SCRATCHES, DENTS AND OTHER BLEMISHES.

DIMENSIONS IN MILLIMETRES



15 STURTON STREET, CAMBRIDGE, CB1 2SN
T: 01223 450080 F: 01223 450081
WWW.BREATHINGBUILDINGS.COM

TITLE:

R-SERIES INSTALLATION GA WITH
PENTHOUSE LOUVRE ROOF TERMINAL

DRAWING NO:

1332_9100_03

MATERIAL:

FINISH:

REV	DRAWN	DATE	CHK'D	DATE
3	CC	18/11/2014		

SCALE 1:20 A3 SHEET 1 OF 3

DO NOT SCALE

IF IN DOUBT, ASK!

REVISIONS

ZONE	REV.	DESCRIPTION	DATE	APPROVED
-	-	See Sheet 1	-	-

NOTES:

- THE SIZING AND DETAILED DESIGN OF THE LOAD-BEARING SUPPORTS MUST BE SPECIFIED AND SIGNED OFF BY THE STRUCTURAL ENGINEER FOR THE PROJECT.
- BUILDERS TO CHECK STRUCTURAL OPENING AND REPORT IF NOT WITHIN TOLERANCES.
- MIXED AIR DELIVERY HANDLING TO BE CONFIRMED PRIOR TO ORDER - TYPE B STANDARD.
- R-SERIES WEIGHT (WITHOUT PALLET AND GRILLES) - APPROX. 86KG.
- DIVIDER TO BE ALIGNED WITH SIMILAR DIVIDER IN SHAFT AND ROOF TERMINAL DURING INSTALLATION TO CREATE TWO AIR PATHWAYS.
- IF UNIT IS POSITIONED LESS THAN 2.7M ABOVE GROUND, FINGER GUARD GRILLES MUST BE USED.

TOLERANCES EXCEPT WHERE OTHERWISE STATED

X	±	0.5MM
X.XX	±	0.05MM
ANGLES	±	0.5°

SURFACE TEXTURE TO BE 1.6 UMRA OR BETTER

DE-BURR ALL SHARP EDGES AND HOLES ITEM MUST BE FREE FROM SCRATCHES, DENTS AND OTHER BLEMISHES.

DIMENSIONS IN MILLIMETRES



15 STURTON STREET, CAMBRIDGE, CB1 2SN
T: 01223 450080 F: 01223 450081
WWW.BREATHINGBUILDINGS.COM

TITLE:

R-SERIES INSTALLATION GA WITH PENTHOUSE LOUVRE ROOF TERMINAL

DRAWING NO:

1332_9100_03

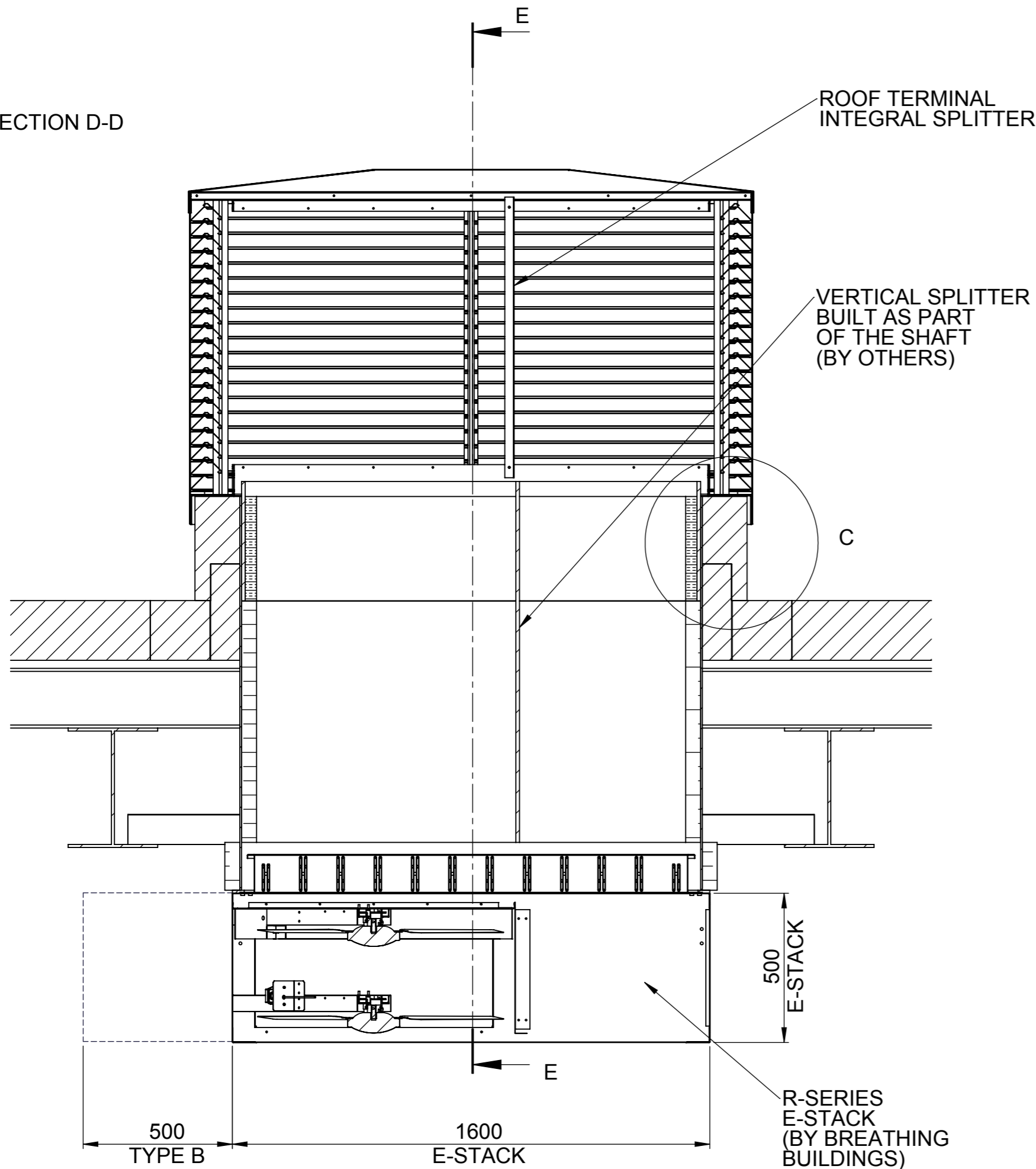
MATERIAL:

FINISH:

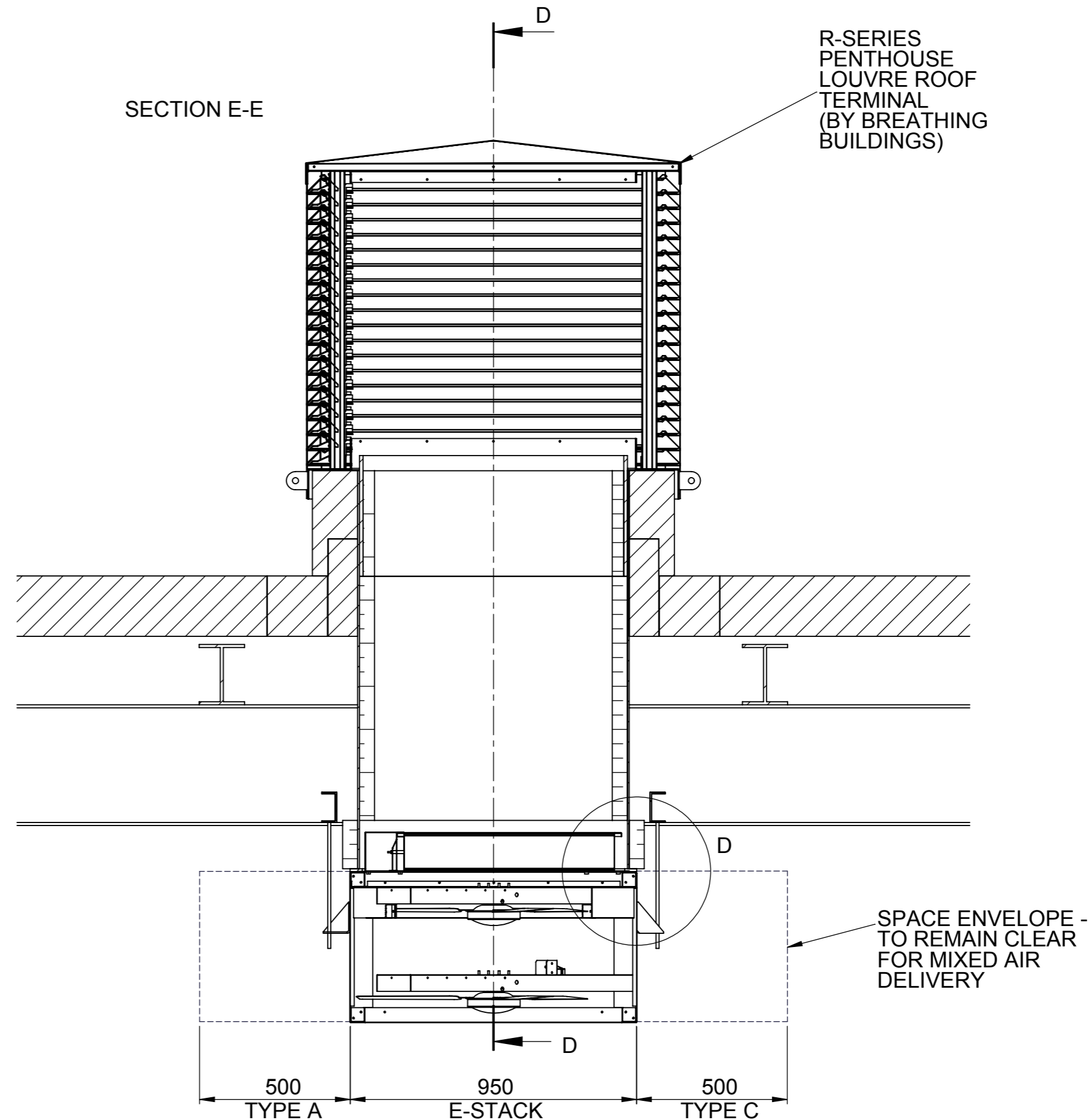
REV	DRAWN	DATE	CHK'D	DATE
3	CC	18/11/2014		

SCALE 1:15 A3 SHEET 2 OF 3

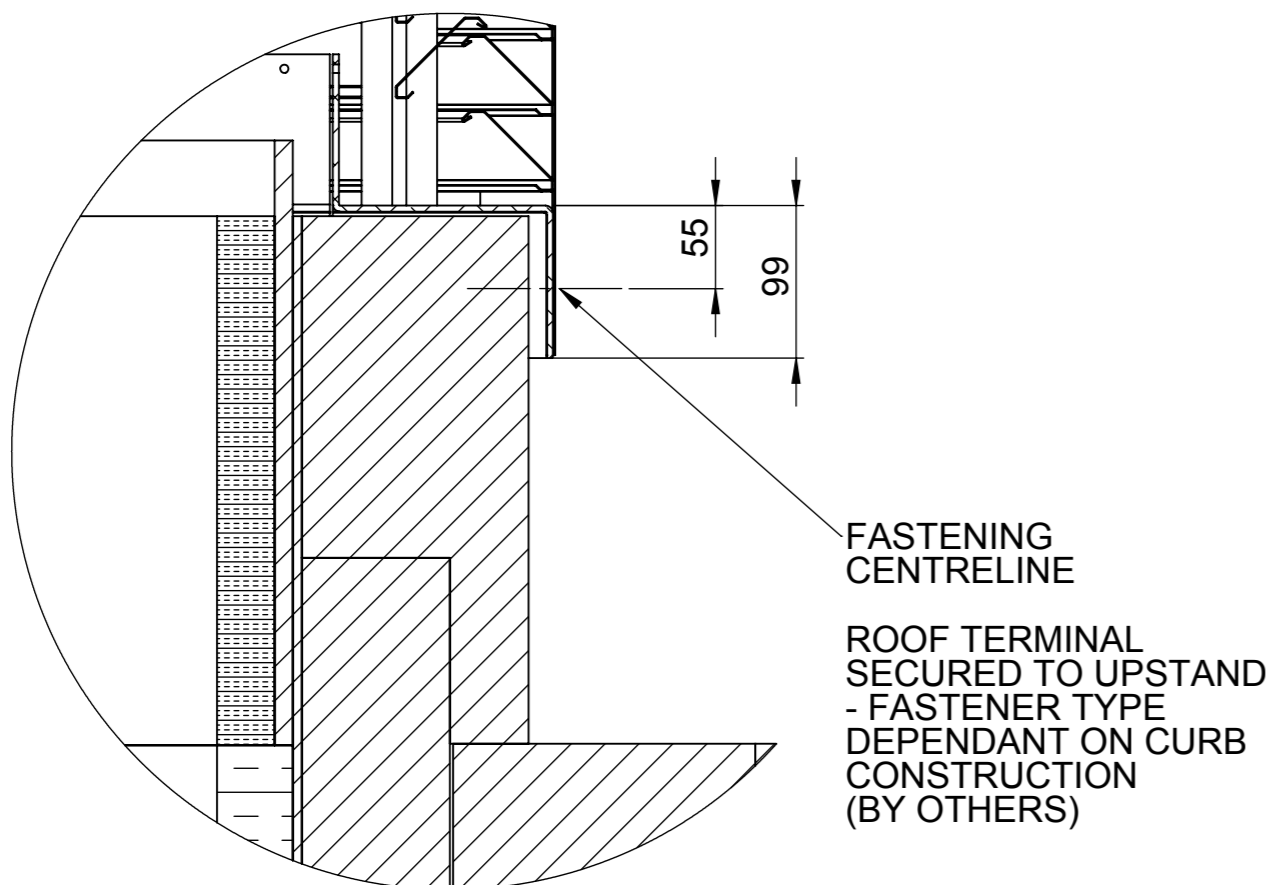
SECTION D-D



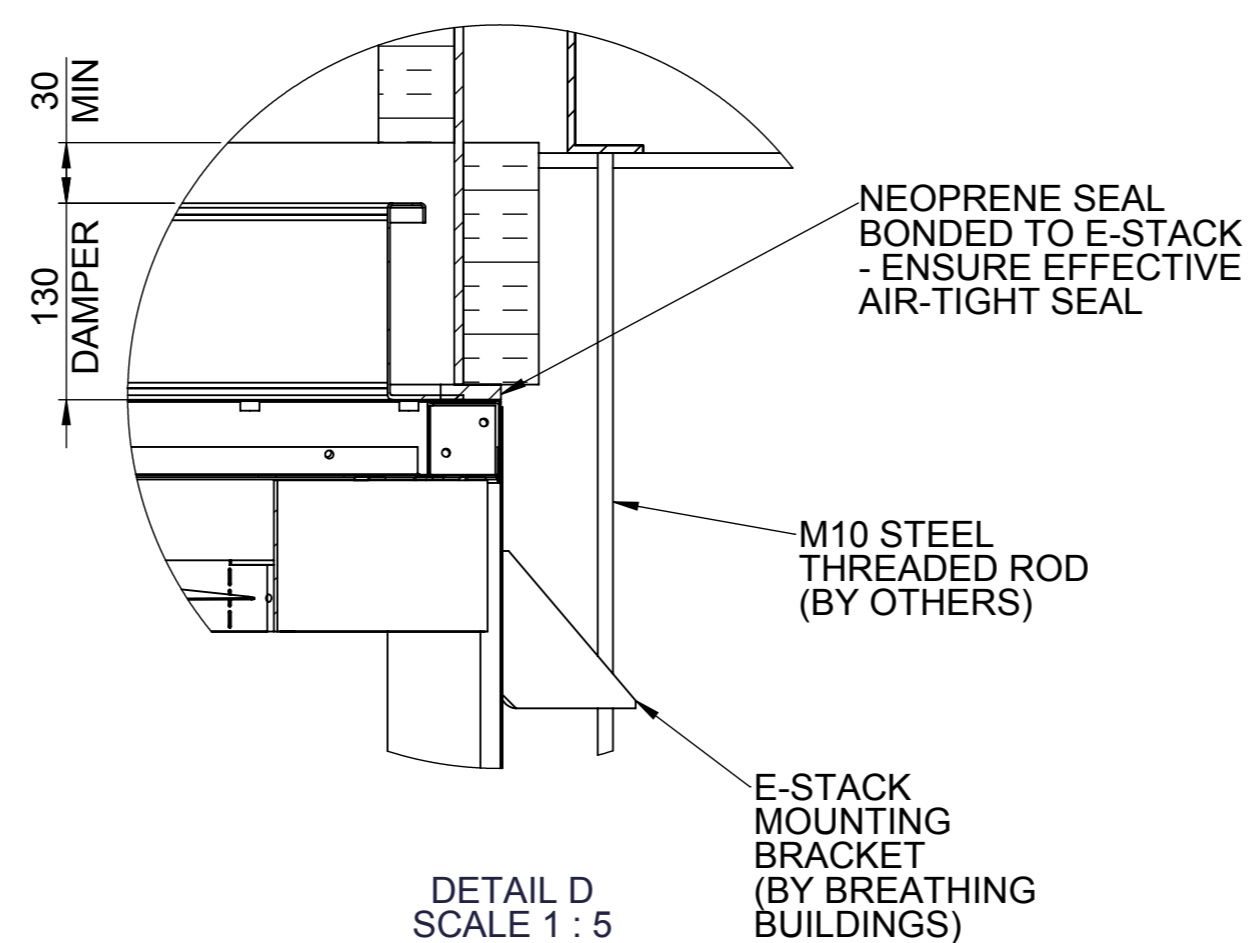
SECTION E-E



DETAIL C SCALE 1:5



DETAIL D SCALE 1:5



UPSTAND SUBSTRATE	FASTENER TYPE
CONCRETE	M6 STAINLESS STEEL RESIN ANCHOR
TIMBER	STAINLESS STEEL M6 BOLT OR 5MM DIA. SCREW
STEEL	5MM DIA. STAINLESS STEEL SELF-DRILLING SCREW
MASONRY	NOT RECOMMENDED

DO NOT SCALE

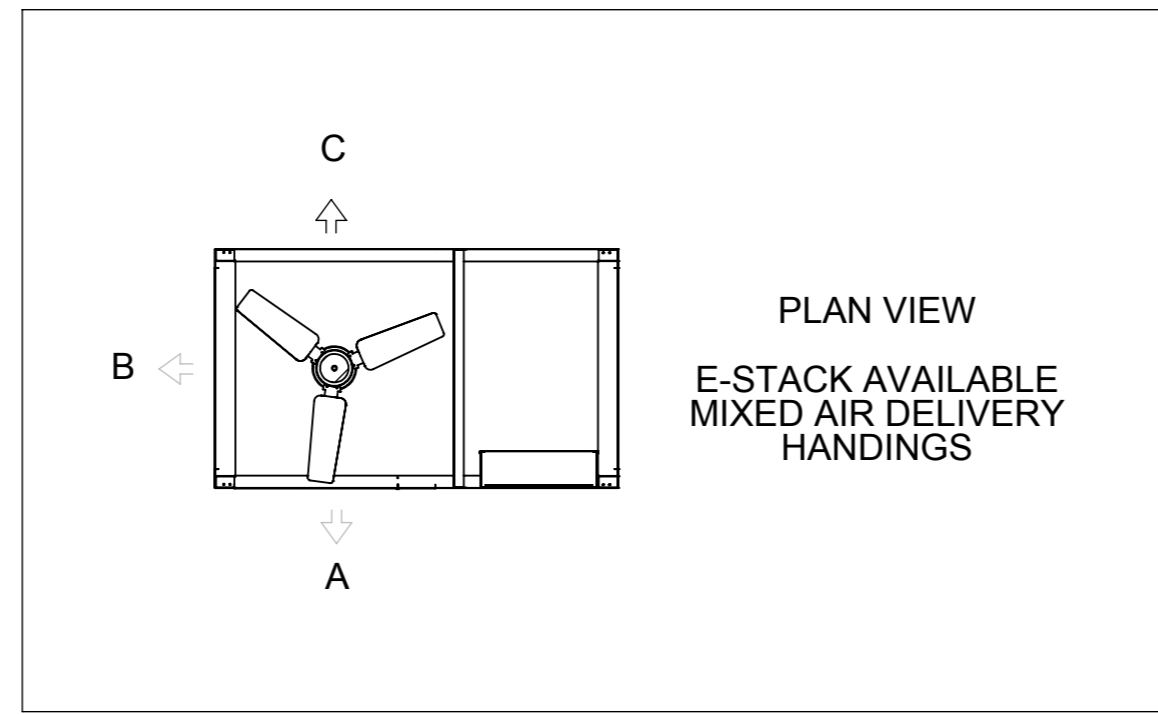
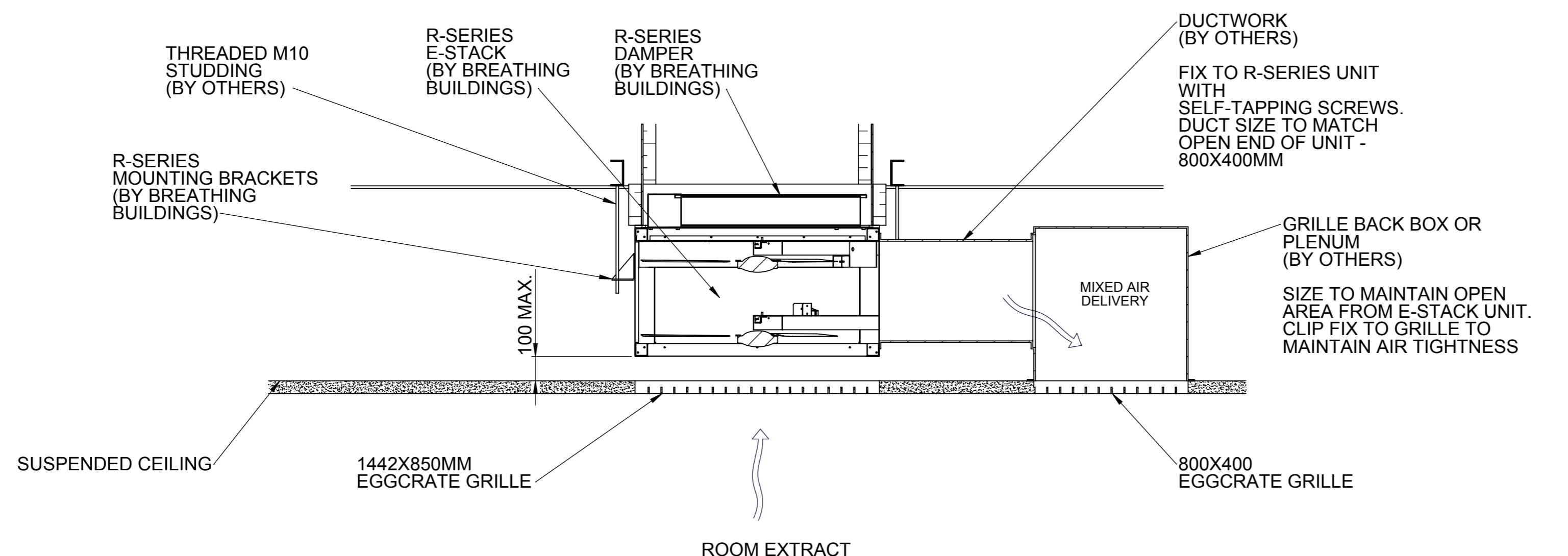
IF IN DOUBT, ASK!

REVISIONS

ZONE	REV.	DESCRIPTION	DATE	APPROVED
-	-	See Sheet 1	-	-

NOTES:

- THIS DRAWING SHOWS E-STACK MOUNTED WITH E-STACK FIXING BRACKETS. UNISTRUT CRADLE IS A SUITABLE ALTERNATIVE.
- THE SIZING AND DETAILED DESIGN OF THE LOAD-BEARING SUPPORTS MUST BE SPECIFIED AND SIGNED OFF BY THE STRUCTURAL ENGINEER FOR THE PROJECT.
- BUILDERS TO CHECK STRUCTURAL OPENING AND REPORT IF NOT WITHIN TOLERANCES.
- MIXED AIR DELIVERY HANDING TO BE CONFIRMED PRIOR TO ORDER - TYPE B STANDARD.
- R-SERIES WEIGHT (WITHOUT PALLET AND GRILLES) - APPROX. 86KG.
- DIVIDER TO BE ALIGNED WITH SIMILAR DIVIDER IN SHAFT AND ROOF TERMINAL DURING INSTALLATION TO CREATE TWO AIR PATHWAYS.
- IF UNIT IS POSITIONED LESS THAN 2.7M ABOVE GROUND, FINGER GUARD GRILLES MUST BE USED.
- E-STACK SUPPLIED WITH 4 NO. FIXING BRACKETS.



TOLERANCES EXCEPT WHERE OTHERWISE STATED

X	:	0.5MM
X.XX	:	0.05MM
ANGLES	:	0.5°

SURFACE TEXTURE TO BE 1.6 UMRA OR BETTER

DE-BURR ALL SHARP EDGES AND HOLES ITEM MUST BE FREE FROM SCRATCHES, DENTS AND OTHER BLEMISHES.

DIMENSIONS IN MILLIMETRES

15 STURTON STREET, CAMBRIDGE, CB1 2SN
 T: 01223 450080 F: 01223 450081
 WWW.BREATHINGBUILDINGS.COM

TITLE:
R-SERIES INSTALLATION GA WITH PENTHOUSE LOUVRE ROOF TERMINAL

DRAWING NO:
1332_9100_03

MATERIAL:
FINISH:

REV	DRAWN	DATE	CHK'D	DATE
3	CC	18/11/2014		