

DO NOT SCALE

IF IN DOUBT, ASK!

REVISIONS			
REV.	DESCRIPTION	DATE	DRAWN
1	FIRST ISSUE	24/07/2014	CC
2	LAYOUT	27/08/2014	CC
3	DIMS	22/12/2014	CC

NOTES:

1. ROOF PROFILE INDICATIVE.
2. LOAD BEARING SUPPORTS TO BE SIGNED OFF BY STRUCTURAL ENGINEER FOR THE PROJECT.
3. ACTUATOR IP RATED JUNCTION BOX FIXED TO INSIDE COVER PLATE OF DAMPER.
4. DAMPER BLADES SHOWN IN OPPOSING POSITION.
5. PASSIVE STACK DAMPER LIFTING LUGS PROVIDED.
6. UNITS SUPPLIED PRE-ASSEMBLED WITHOUT PRE-DRILLED HOLES FOR FASTENERS. HOLES TO BE DRILLED ON SITE.
7. PASSIVE STACK S1000 SHOWN.

TOLERANCES EXCEPT WHERE OTHERWISE STATED

X	±	0.5MM
X.XX	±	0.05MM
ANGLES	±	0.5°

SURFACE TEXTURE TO BE 1.6 UMRA OR BETTER

DE-BURR ALL SHARP EDGES AND HOLES. ITEM MUST BE FREE FROM SCRATCHES, DENTS AND OTHER BLEMISHES.

DIMENSIONS IN MILLIMETRES



15 STURTON STREET, CAMBRIDGE, CB1 2SN
 T: 01223 450060 F: 01223 450061
 WWW.BREATHINGBUILDINGS.COM

TITLE:
 PASSIVE STACK TYPE 1 WITH
 MUSHROOM ROOF TERMINAL

DRAWING NO:
 1329_9301_03

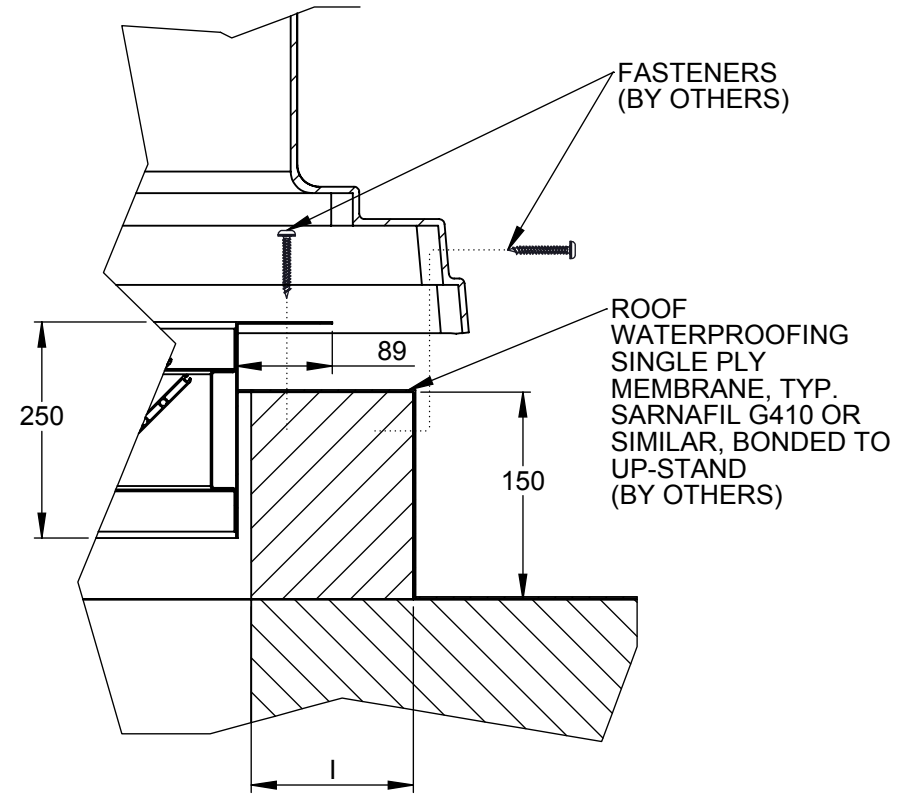
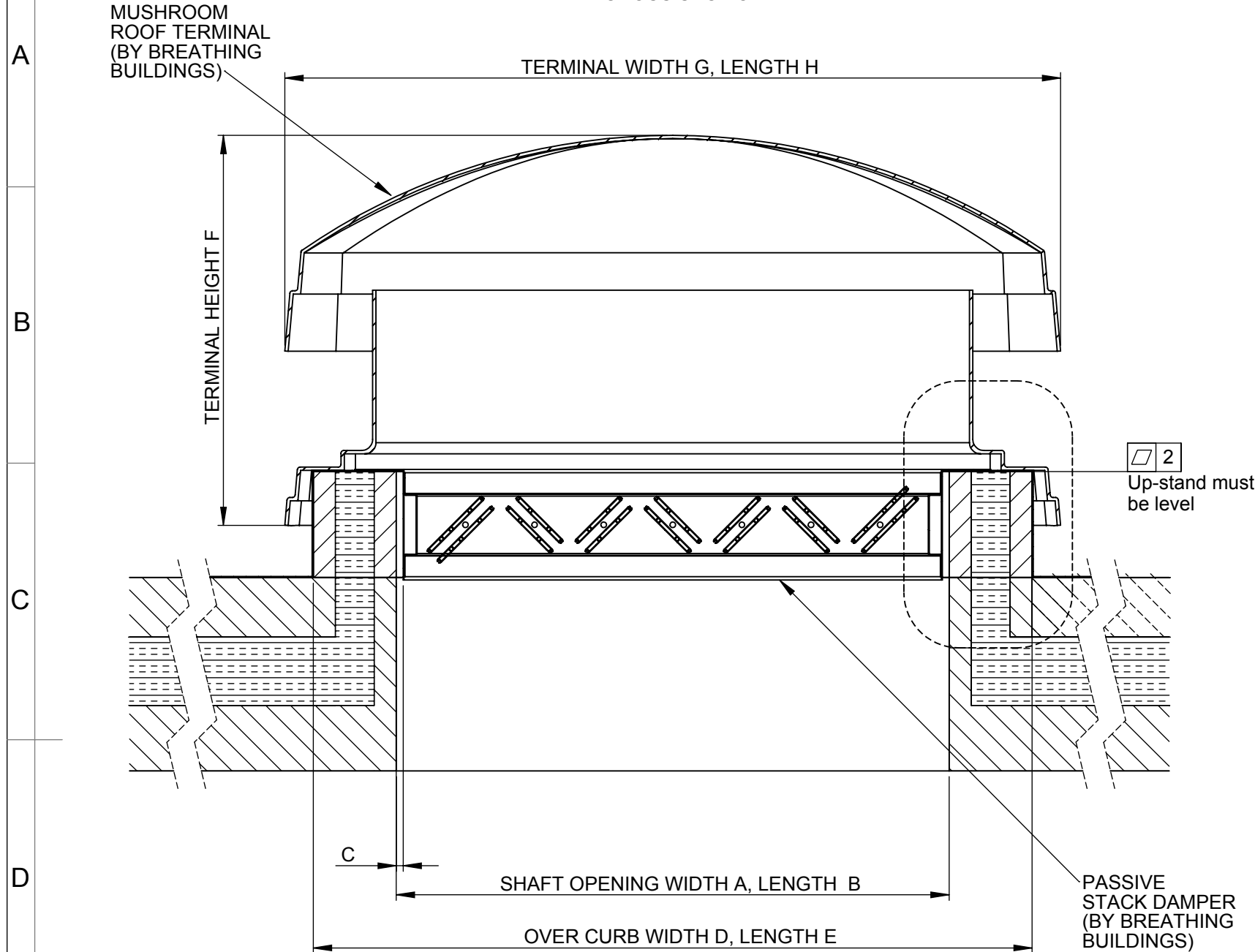
MATERIAL:

FINISH:

REV	DRAWN	DATE	CHK'D	DATE
3	CC	22/12/2014		

SCALE 1:10 A3 SHEET 1 OF 1

CROSS SECTION



UNIT TYPE	A	B	C	D	E	F	G	H	I
PSS600	600	600	12.5	850	850	466	1000	1000	125
PSS800	800	800	12.5	990	990	608	1100	1100	95
PSS1000	1000	1000	12.5	1300	1300	705	1403	1403	150
PSS1200	1200	1200	12.5	1500	1500	875	1869	1869	150
PSS1500	1500	1500	12.5	1800	1800	875	2169	2169	150
PSR-SERIES	1550	900	12.5	1850	1200	945	2080	1600	150