

**DO NOT SCALE**

**IF IN DOUBT, ASK!**

REVISIONS

REV.	DESCRIPTION	DATE	DRAWN
1	FIRST ISSUE	01/02/2014	CC
2	UPDATES	01/05/2014	CC
3		22/12/2014	
4	DIMS	22/12/2014	CC

NOTES:

1. ROOF PROFILE INDICATIVE.
2. EGG CRATE GRILLE STANDARD FINISH WHITE POLYESTER POWDER RAL 9010 (OTHER FINISHES AVAILABLE AT ADDITIONAL COST).
3. GRILLE TO FIT APERTURE OF S/O -30MM (GRILLE FRAME DEPTH MUST BE 50MM OR LESS).
4. SUPPLIED WITH 8 NO. FIXING BRACKETS.
5. M10 STUDDING LENGTHS TO SUIT.
6. DUCT METAL-WORK TYP. MILD STEEL, FINISH GALV.
7. DUCT INSULATION TYP. ROCKWOOL DUCTWRAP 25MM-50MM (THICKNESS DEPENDING ON THERMAL REQUIREMENTS).
8. DAMPER BLADES SHOWN IN OPPOSING POSITION.

TOLERANCES EXCEPT WHERE OTHERWISE STATED

X	±	0.5MM
X.XX	±	0.05MM
ANGLES	±	0.5°

SURFACE TEXTURE TO BE 1.6 UMRA OR BETTER

DE-BURR ALL SHARP EDGES AND HOLES. ITEM MUST BE FREE FROM SCRATCHES, DENTS AND OTHER BLEMISHES.

DIMENSIONS IN MILLIMETRES



15 STURTON STREET, CAMBRIDGE, CB1 2SN  
T: 01223 450060 F: 01223 450061  
WWW.BREATHINGBUILDINGS.COM

TITLE:

PASSIVE STACK TYPE 2 WITH MUSHROOM ROOF TERMINAL

DRAWING NO:

1329\_9201\_04

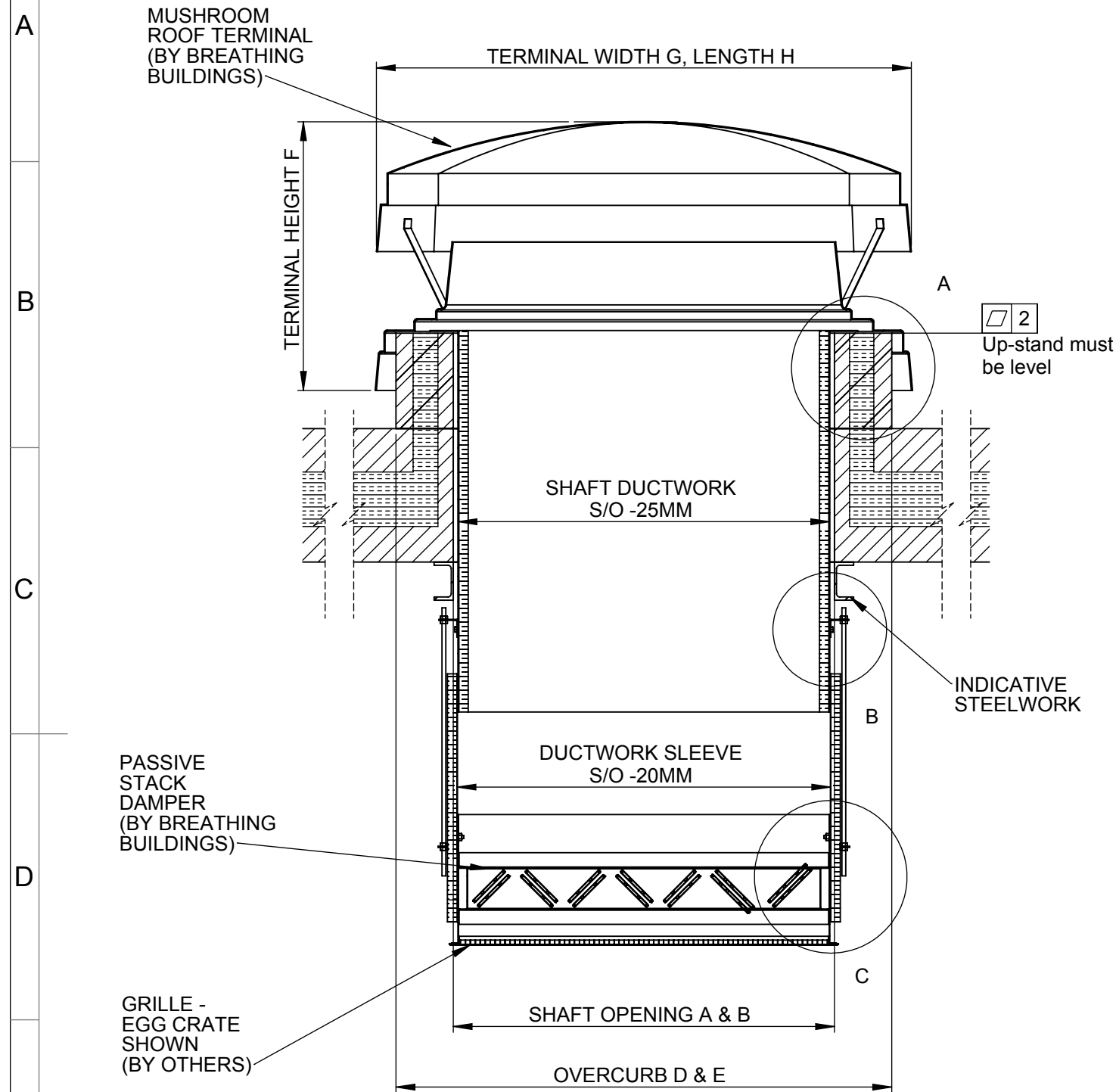
MATERIAL:

FINISH:

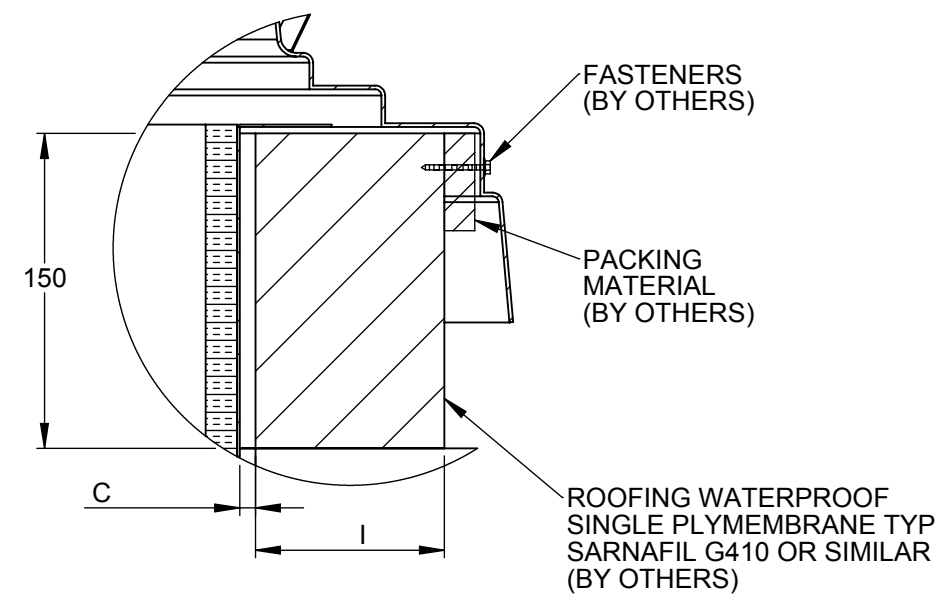
REV	DRAWN	DATE	CHK'D	DATE
4	CC	22/12/2014		

SCALE 1:12 A3 SHEET 1 OF 3

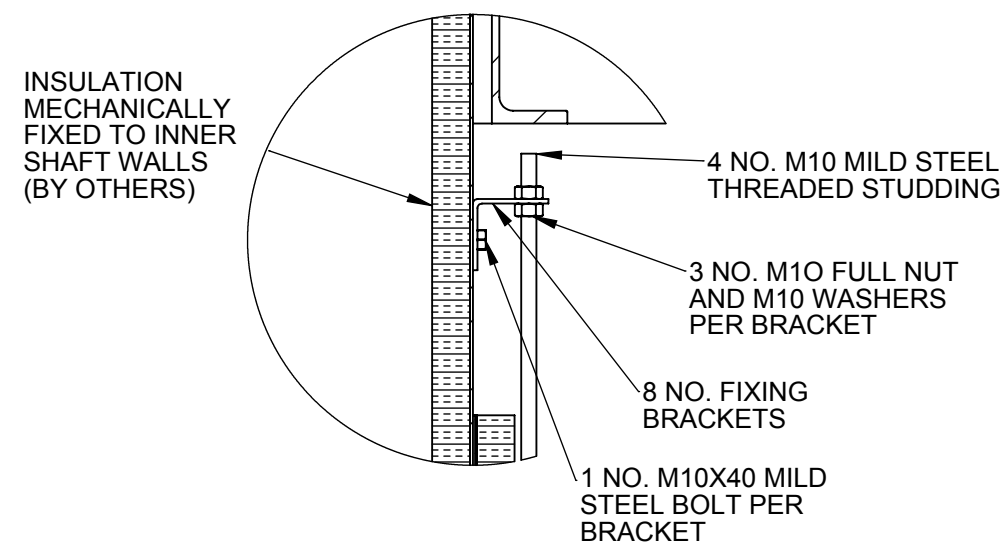
CROSS SECTION



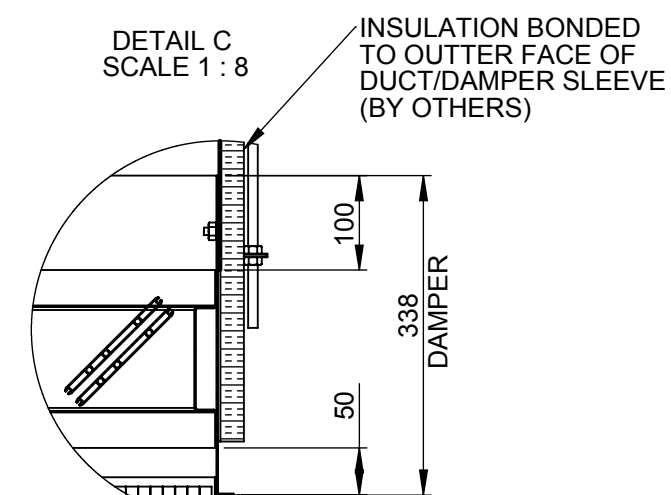
DETAIL A  
SCALE 1 : 6



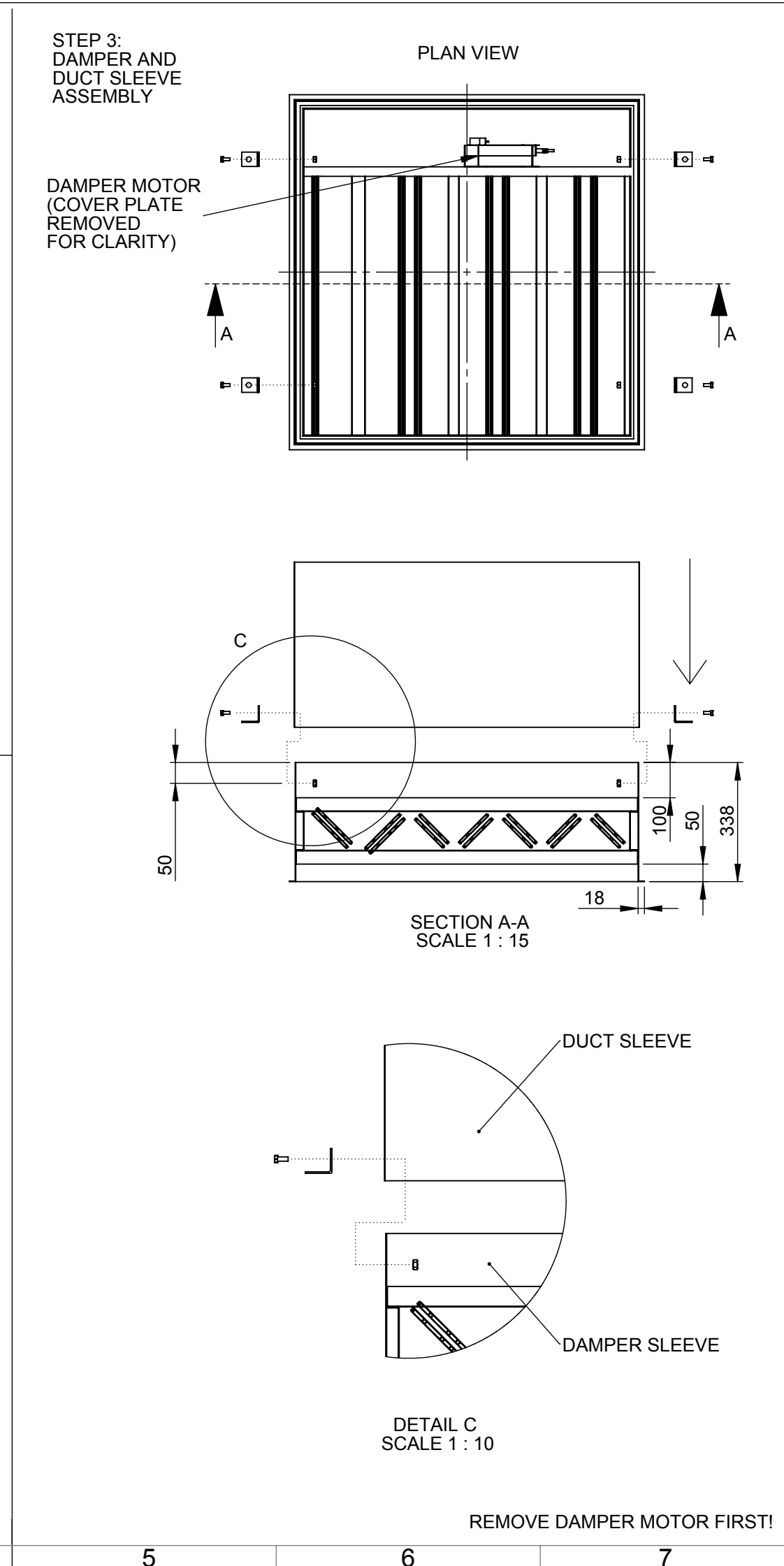
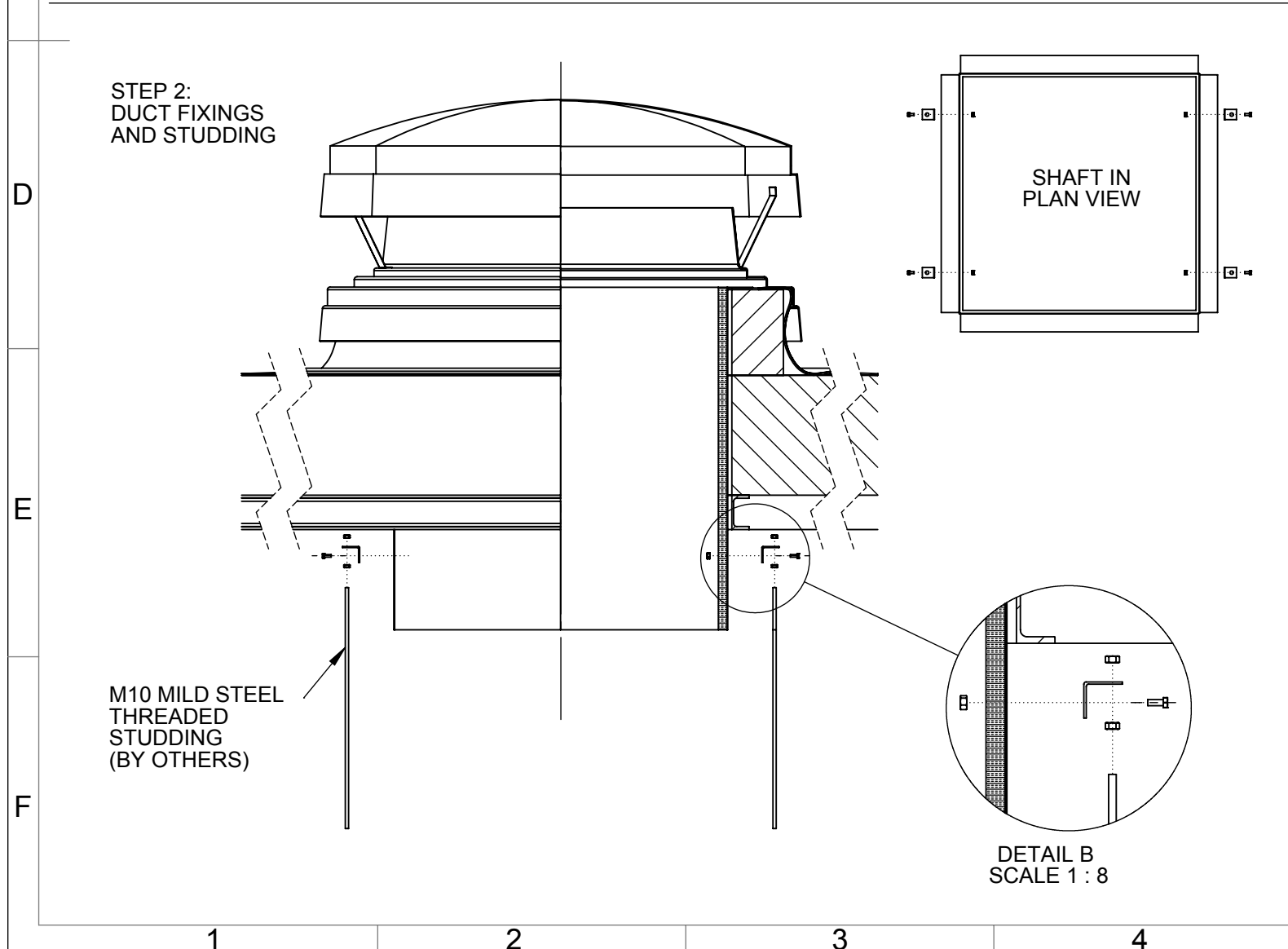
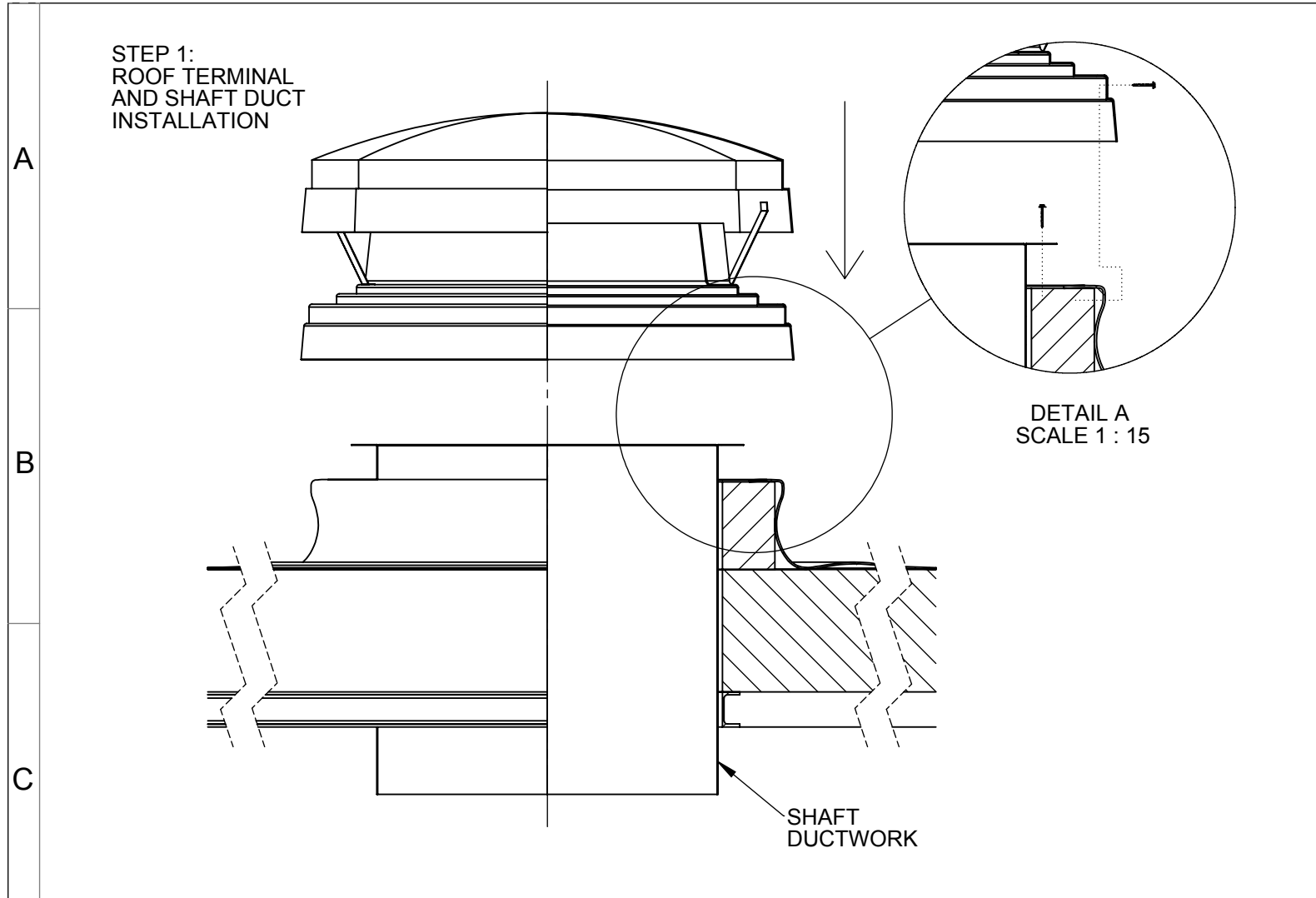
DETAIL B  
SCALE 1 : 5



DETAIL C  
SCALE 1 : 8



UNIT TYPE	A	B	C	D	E	F	G	H	I
PSS600	600	600	12.5	850	850	466	1000	1000	125
PSS800	800	800	12.5	990	990	608	1100	1100	95
PSS1000	1000	1000	12.5	1300	1300	705	1403	1403	150
PSS1200	1200	1200	12.5	1500	1500	877.5	1869	1869	150
PSS1500	1500	1500	12.5	1800	1800	875	2169	2169	150
PSR-SERIES	1550	900	12.5	1850	1200	945	2080	1600	150



**DO NOT SCALE**

**IF IN DOUBT, ASK!**

REVISIONS				
ZONE	REV.	DESCRIPTION	DATE	APPROVED
-	-	See Sheet1	-	-

- NOTES:**
1. ROOF PROFILE INDICATIVE.
  2. EGG CRATE GRILLE STANDARD FINISH WHITE POLYESTER POWDER RAL 9010 (OTHER FINISHES AVAILABLE AT ADDITIONAL COST).
  3. GRILLE TO FIT APERTURE OF S/O -30MM (GRILLE FRAME DEPTH MUST BE 50MM OR LESS).
  4. SUPPLIED WITH 8 NO. FIXING BRACKETS.
  5. M10 STUDDING LENGTHS TO SUIT.
  6. DUCT METAL-WORK TYP. MILD STEEL, FINISH GALV.
  7. DUCT INSULATION TYP. ROCKWOOL DUCTWRAP 25MM-50MM (THICKNESS DEPENDING ON THERMAL REQUIREMENTS).
  8. DAMPER BLADES SHOWN IN OPPOSING POSITION.

TOLERANCES EXCEPT WHERE OTHERWISE STATED

X	±	0.5MM
X.XX	±	0.05MM
ANGLES	±	0.5°

SURFACE TEXTURE TO BE 1.6 UMRA OR BETTER

DE-BURR ALL SHARP EDGES AND HOLES ITEM MUST BE FREE FROM SCRATCHES, DENTS AND OTHER BLEMISHES.

DIMENSIONS IN MILLIMETRES

**Breathing Buildings**

15 STURTON STREET, CAMBRIDGE, CB1 2SN  
T: 01223 450060 F: 01223 450061  
WWW.BREATHINGBUILDINGS.COM

**TITLE:**  
PASSIVE STACK TYPE 2 WITH MUSHROOM ROOF TERMINAL

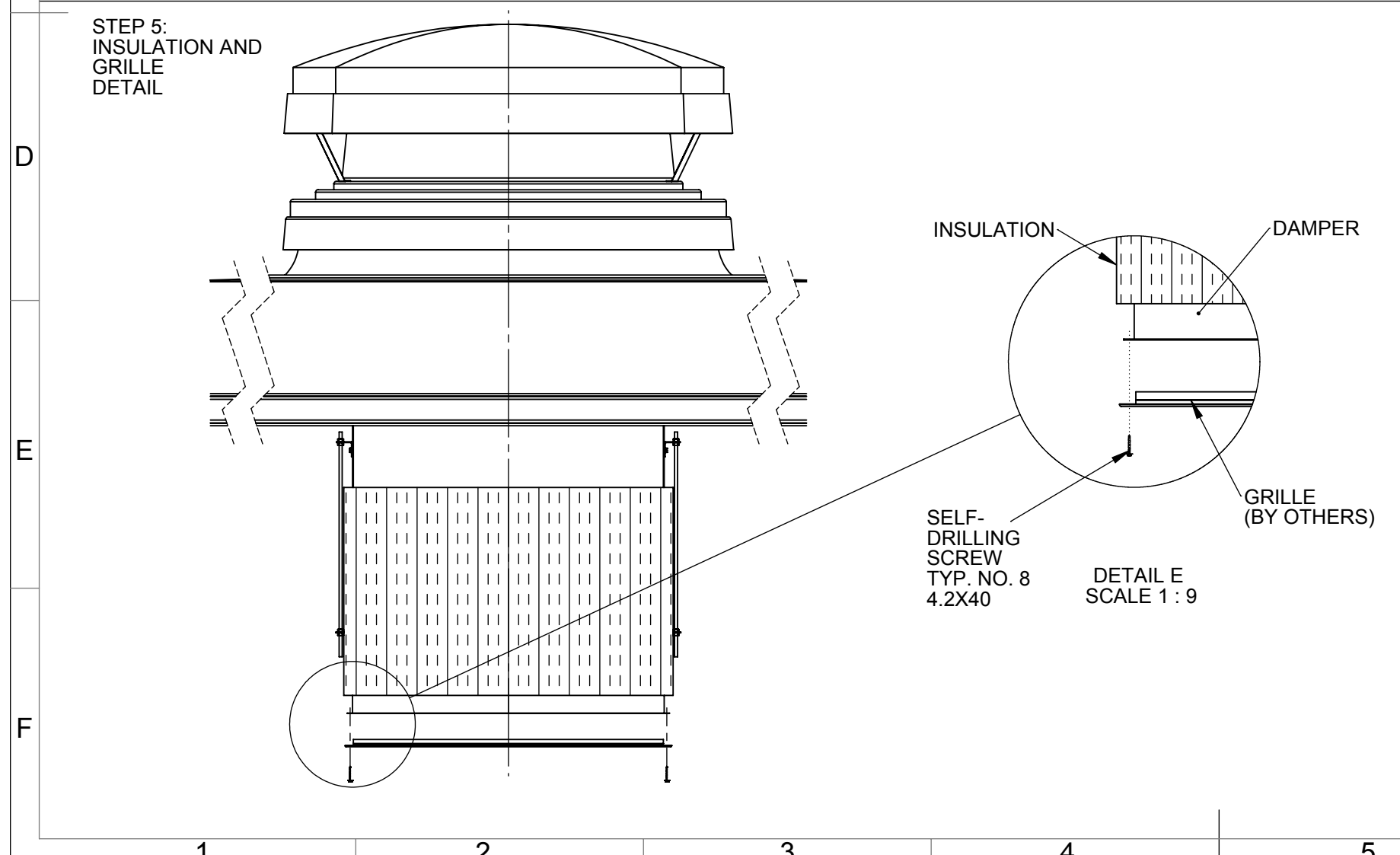
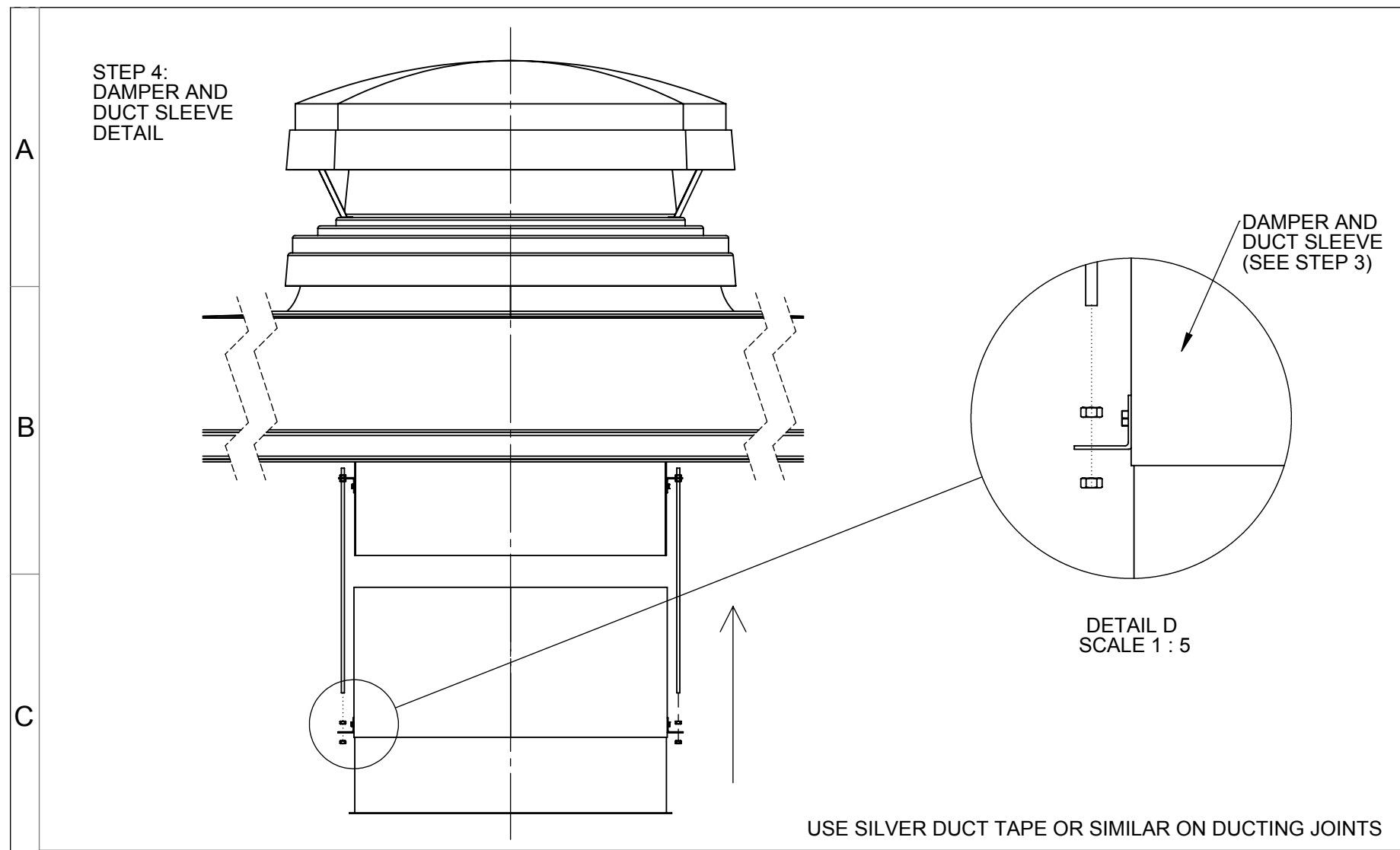
**DRAWING NO:**  
1329\_9201\_04

**MATERIAL:**

**FINISH:**

REV	DRAWN	DATE	CHK'D	DATE
4	CC	22/12/2014		

SCALE 1:18      A3      SHEET 2 OF 3



STEP	INSTALLATION NOTES
1	<p>POSITION DUCT SHAFT INTO THE STRUCTURAL OPENING CENTRALLY, ENSURING THE TURNBACKS ON THE DUCT ARE RESTING ON THE UPSTAND/CURB AND SECURE VERTICALLY THROUGH TURNBACKS INTO UPSTAND WITH SUITABLE COUNTERSUNK SCREWS (TYPE OF SCREW IS DEPENDANT ON CURB CONSTRUCTION).</p> <p>LOWER ROOF TERMINAL ON TO UPSTAND/CURB CENTRALLY AND SECURE THROUGH THE SIDE OF THE LOWER SILLS WITH SUITABLE SELF-DRILLING SCREWS (TYPE OF SCREW IS DEPENDANT ON CURB CONSTRUCTION) - UPSTAND/CURB CONSTRUCTION DETAILS ARE BY OTHERS.</p>
2	<p>DRILL 4 NO. HOLES OF Ø 10.5 INTO SHAFT DUCT AT A MINIMUM OF 150MM VERTICALLY FROM SOFFIT OR STRUCTURAL MEMBER AND 200MM HORIZONTALLY FROM CORNERS OF DUCT SHAFT AS SHOWN. ENSURE HOLES ARE LEVEL. ATTACH BRACKETS TO SHAFT DUCT AS SHOWN AND SECURE WITH 1 NO. M10X40 MILD STEEL BOLT AND M10 MILD STEEL NUT/WASHER PER BRACKET (2 BRACKETS ON OPPOSING SIDES).</p> <p>POSITION 4 NO. M10 MILD STEEL THREADED STUDDING INTO PRE-DRILLED HOLES IN FIXING BRACKETS AND SECURE WITH 2 NO. M10 MILD STEEL FULL NUTS AND WASHERS (LENGTHS TO SUIT).</p> <p>MECHANICALLY FIX INSULATION TO INSIDE OF DUCT SHAFT WITH SELF-DRILLING SCREWS AND PENNY WASHERS.</p>
3	<p>MECHANICALLY SECURE 4NO. FIXING BRACKETS THROUGH DUCT SLEEVE TO DAMPER SLEEVE. OFFSETTED BRACKET DISTANCES TO BE AS PER STEP 2 BRACKETS ON SHAFT DUCTWORK.</p> <p>DO NOT INSERT ARM BETWEEN BLADES WITHOUT FIRST REMOVING ACTUATOR!</p>
4	<p>DAMPER WITH DUCT SLEEVE ASSEMBLY TO BE ALIGNED WITH 4 NO. M10 MILD STEEL THREADED STUDDING THROUGH PRE-DRILLED HOLES IN FIXING BRACKETS AND SECURED WITH 2 NO. M10 MILD STEEL FULL NUTS/WASHERS PER BRACKET. STUDDING AND BRACKET METHOD ARE FOR ADJUSTMENTS IN HEIGHT. USE SILVER DUCT TAPE TO SEAL ALL JOINTS BETWEEN DUCTING FOR AIR-TIGHT SEAL.</p>
5	<p>BOND ROCKWOOL DUCTWRAP OR SIMILAR INSULATION TO OUTER FACE OF DAMPER AND DUCT SLEEVE - DO NOT MECHANICALLY FIX.</p> <p>FIX GRILLE TO TURNBACK OF DAMPER SLEEVE WITH COUNTERSUNK SELF-DRILLING SCREWS TYP. NO. 8 4.2X40 THROUGH PRE-DRILLED COUNTERSUNK HOLES IN GRILLE FRAME.</p>

**DO NOT SCALE**

**IF IN DOUBT, ASK!**

REVISIONS				
ZONE	REV.	DESCRIPTION	DATE	APPROVED
-	-	See Sheet1	-	-

- NOTES:
- ROOF PROFILE INDICATIVE.
  - EGG CRATE GRILLE STANDARD FINISH WHITE POLYESTER POWDER RAL 9010 (OTHER FINISHES AVAILABLE AT ADDITIONAL COST).
  - GRILLE TO FIT APERTURE OF S/O -30MM (GRILLE FRAME DEPTH MUST BE 50MM OR LESS). SUPPLIED WITH 8 NO. FIXING BRACKETS.
  - M10 STUDDING LENGTHS TO SUIT.
  - DUCT METAL-WORK TYP. MILD STEEL, FINISH GALV. DUCT INSULATION TYP. ROCKWOOL DUCTWRAP 25MM-50MM (THICKNESS DEPENDING ON THERMAL REQUIREMENTS).
  - DAMPER BLADES SHOWN IN OPPOSING POSITION.

TOLERANCES EXCEPT WHERE OTHERWISE STATED

X	±	0.5MM
X.XX	±	0.05MM
ANGLES	±	0.5°

SURFACE TEXTURE TO BE 1.6 UMRA OR BETTER

DE-BURR ALL SHARP EDGES AND HOLES ITEM MUST BE FREE FROM SCRATCHES, DENTS AND OTHER BLEMISHES.

DIMENSIONS IN MILLIMETRES

**Breathing Buildings**

15 STURTON STREET, CAMBRIDGE, CB1 2SN  
 T: 01223 450060 F: 01223 450061  
 WWW.BREATHINGBUILDINGS.COM

TITLE:  
 PASSIVE STACK TYPE 2 WITH MUSHROOM ROOF TERMINAL

DRAWING NO:  
 1329\_9201\_04

MATERIAL:

FINISH:

REV	DRAWN	DATE	CHK'D	DATE
4	CC	22/12/2014		