

DO NOT SCALE

IF IN DOUBT, ASK!

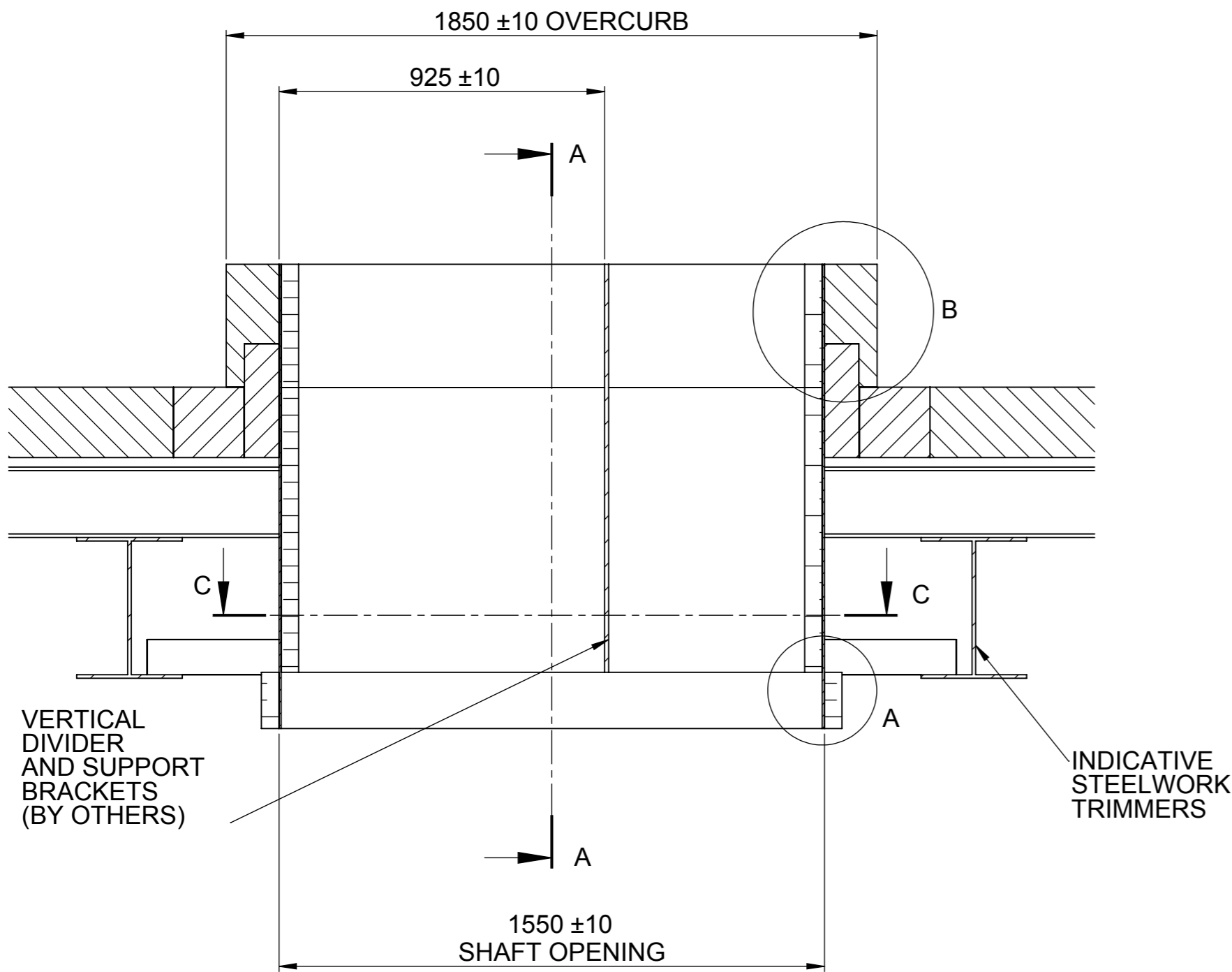
REVISIONS

| REV. | DESCRIPTION | DATE | DRAWN |
|------|--------------|------------|-------|
| 1 | FIRST ISSUE | 04/08/2014 | CC |
| 2 | NOTES/LAYOUT | 18/09/2014 | CC |
| 3 | UPSTAND | 18/11/2014 | CC |
| 4 | NOTES | 25/11/2014 | CC |

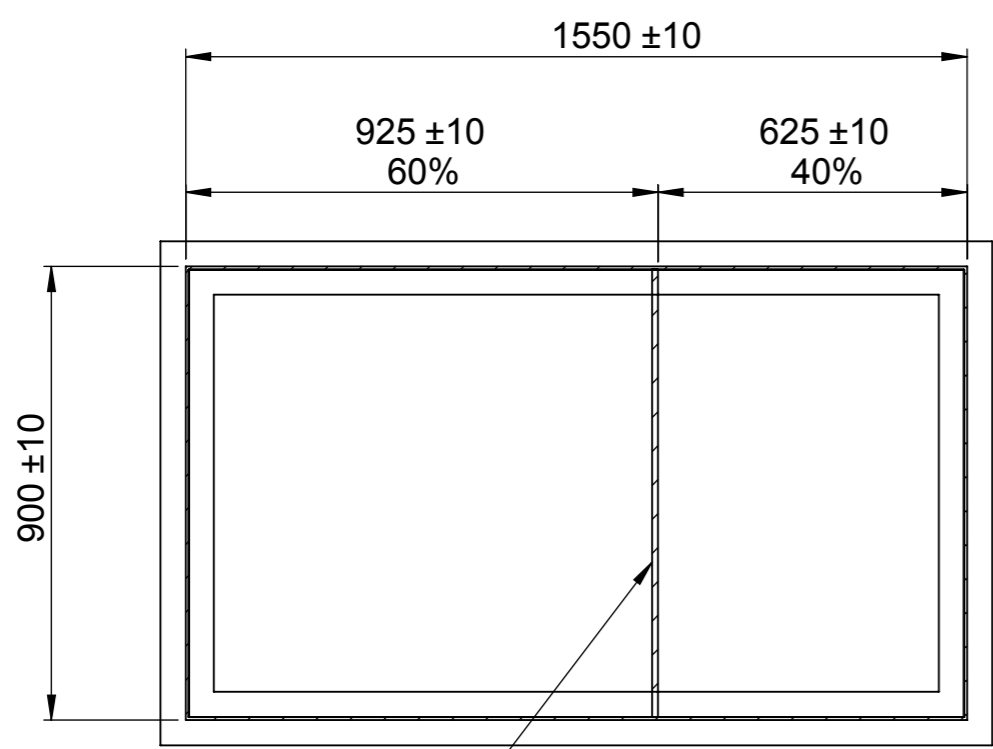
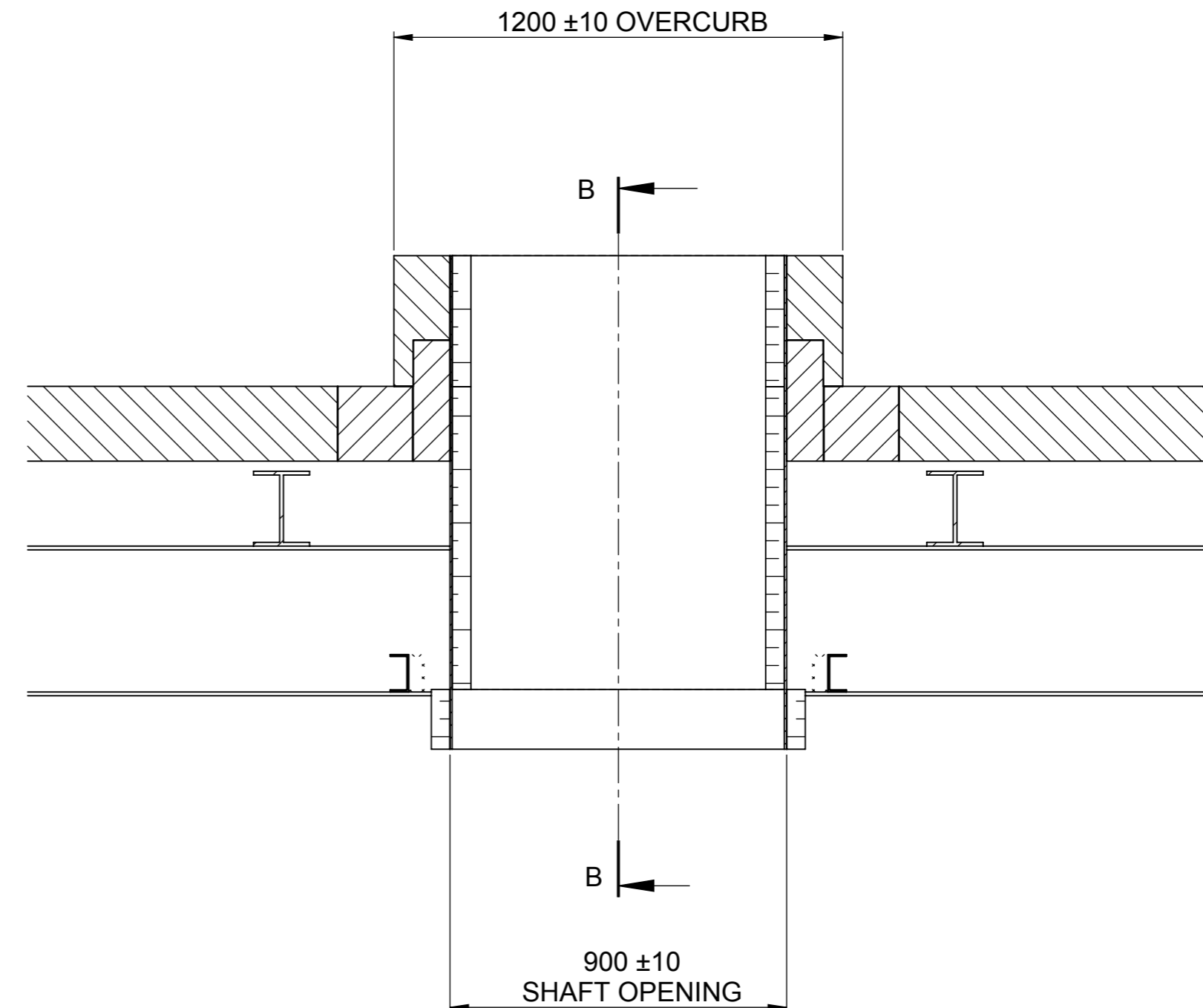
NOTES:

1. THE SIZING AND DETAILED DESIGN OF THE LOAD-BEARING SUPPORTS MUST BE SPECIFIED AND SIGNED OFF BY THE STRUCTURAL ENGINEER FOR THE PROJECT.
2. BUILDERS TO CHECK STRUCTURAL OPENING DIMENSIONS AGAINST DRAWING AND REPORT IF NOT WITHIN TOLERANCES.
3. MIXED AIR DELIVERY HANDLING TO BE CONFIRMED PRIOR TO ORDER - TYPE B STANDARD.
4. R-SERIES WEIGHT (WITHOUT PALLET AND GRILLES) - APPROX. 86KG.
5. DIVIDER TO BE ALIGNED WITH SIMILAR DIVIDER IN SHAFT AND ROOF TERMINAL DURING INSTALLATION TO CREATE TWO AIR PATHWAYS.
6. IF UNIT IS POSITIONED LESS THAN 2.7M ABOVE GROUND, FINGER GUARD GRILLES MUST BE USED.

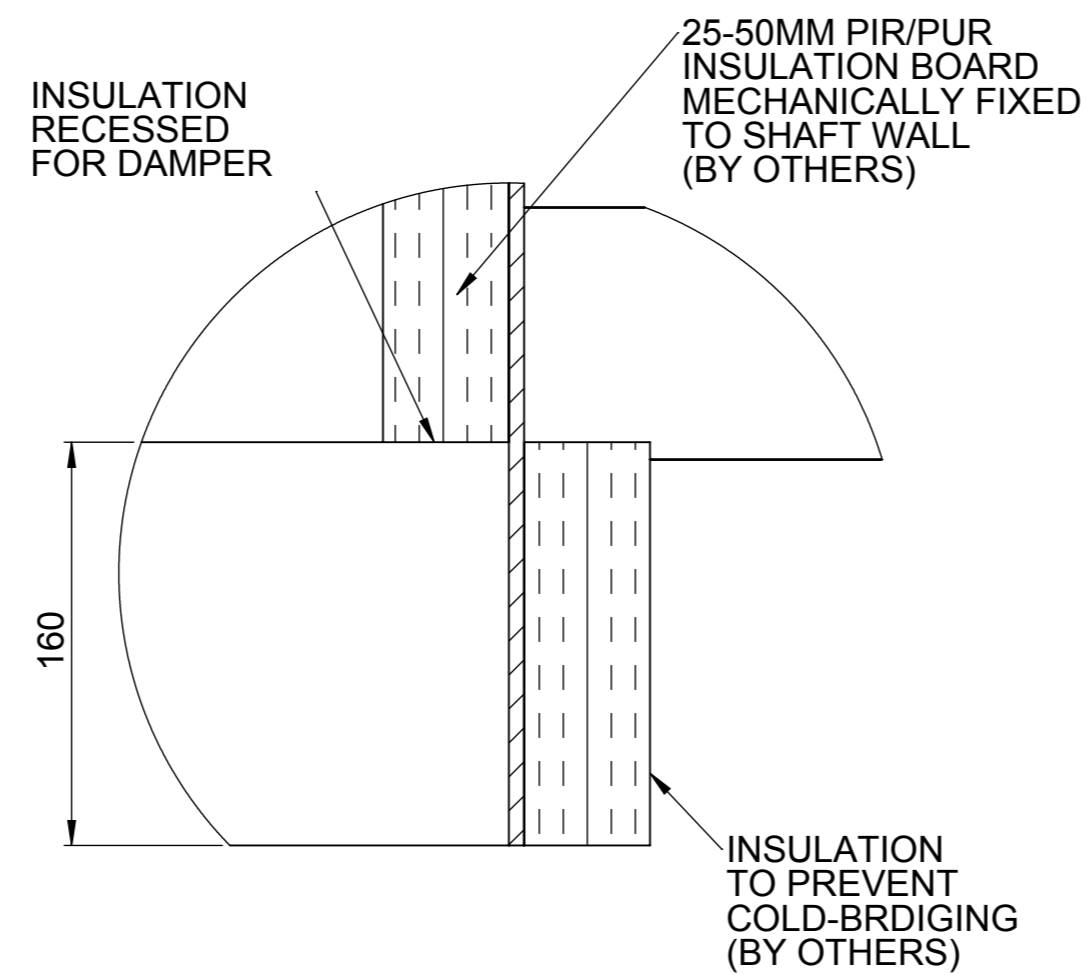
SECTION B-B
SCALE 1 : 15



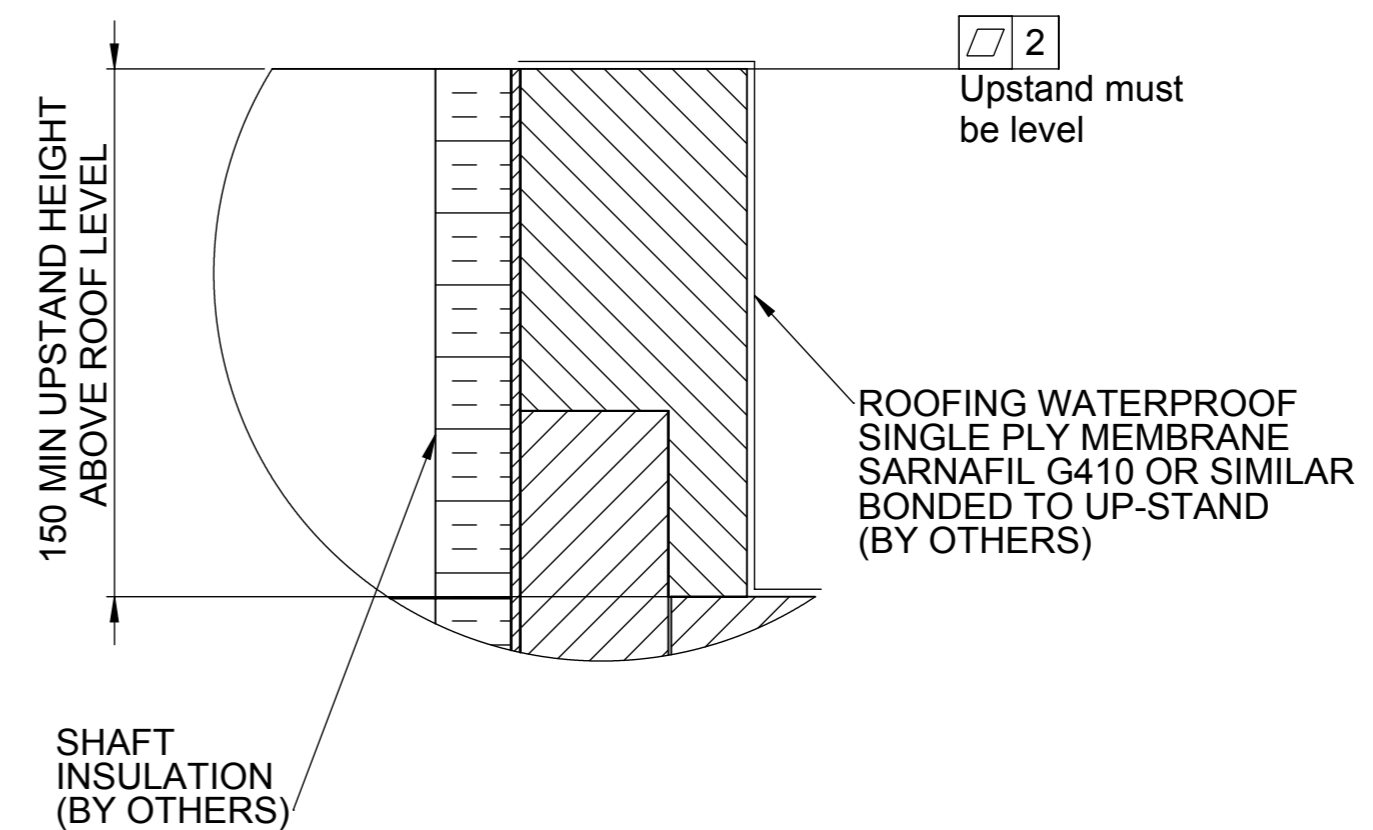
SECTION A-A
SCALE 1 : 15



SECTION C-C
SCALE 1 : 15
SHAFT IN PLAN VIEW



DETAIL A
SCALE 1 : 3



DETAIL B
SCALE 1 : 5

TOLERANCES EXCEPT WHERE OTHERWISE STATED

| | | |
|--------|---|--------|
| X | ± | 0.5MM |
| X.xx | ± | 0.05MM |
| ANGLES | ± | 0.5° |

SURFACE TEXTURE TO BE 1.6 UMRA OR BETTER

DE-BURR ALL SHARP EDGES AND HOLES
ITEM MUST BE FREE FROM SCRATCHES, DENTS AND OTHER BLEMISHES.

DIMENSIONS IN MILLIMETRES



15 STURTON STREET, CAMBRIDGE, CB1 2SN
T: 01223 450080 F: 01223 450081
WWW.BREATHINGBUILDINGS.COM

TITLE:

R-SERIES INSTALLATION GA WITH MUSHROOM ROOF TERMINAL

DRAWING NO:

1310_9002_04

MATERIAL:

FINISH:

| REV | DRAWN | DATE | CHK'D | DATE |
|-----|-------|------------|-------|------|
| 4 | CC | 25/11/2014 | | |

SCALE 1:20 A3 SHEET 1 OF 3

DO NOT SCALE

IF IN DOUBT, ASK!

REVISIONS

| ZONE | REV. | DESCRIPTION | DATE | APPROVED |
|------|------|-------------|------|----------|
| - | - | See Sheet 1 | - | - |

NOTES:

- THE SIZING AND DETAILED DESIGN OF THE LOAD-BEARING SUPPORTS MUST BE SPECIFIED AND SIGNED OFF BY THE STRUCTURAL ENGINEER FOR THE PROJECT.
- BUILDERS TO CHECK STRUCTURAL OPENING AND REPORT IF NOT WITHIN TOLERANCES.
- MIXED AIR DELIVERY HANDLING TO BE CONFIRMED PRIOR TO ORDER - TYPE B STANDARD.
- R-SERIES WEIGHT (WITHOUT PALLET AND GRILLES) - APPROX. 86KG.
- DIVIDER TO BE ALIGNED WITH SIMILAR DIVIDER IN SHAFT AND ROOF TERMINAL DURING INSTALLATION TO CREATE TWO AIR PATHWAYS.
- IF UNIT IS POSITIONED LESS THAN 2.7M ABOVE GROUND, FINGER GUARD GRILLES MUST BE USED.

TOLERANCES EXCEPT WHERE OTHERWISE STATED

| | | |
|--------|---|--------|
| X | ± | 0.5MM |
| X.XX | ± | 0.05MM |
| ANGLES | ± | 0.5° |

SURFACE TEXTURE TO BE 1.6 UMRA OR BETTER

DE-BURR ALL SHARP EDGES AND HOLES ITEM MUST BE FREE FROM SCRATCHES, DENTS AND OTHER BLEMISHES.

DIMENSIONS IN MILLIMETRES



15 STURTON STREET, CAMBRIDGE, CB1 2SN
T: 01223 450080 F: 01223 450081
WWW.BREATHINGBUILDINGS.COM

TITLE:
R-SERIES INSTALLATION GA WITH MUSHROOM ROOF TERMINAL

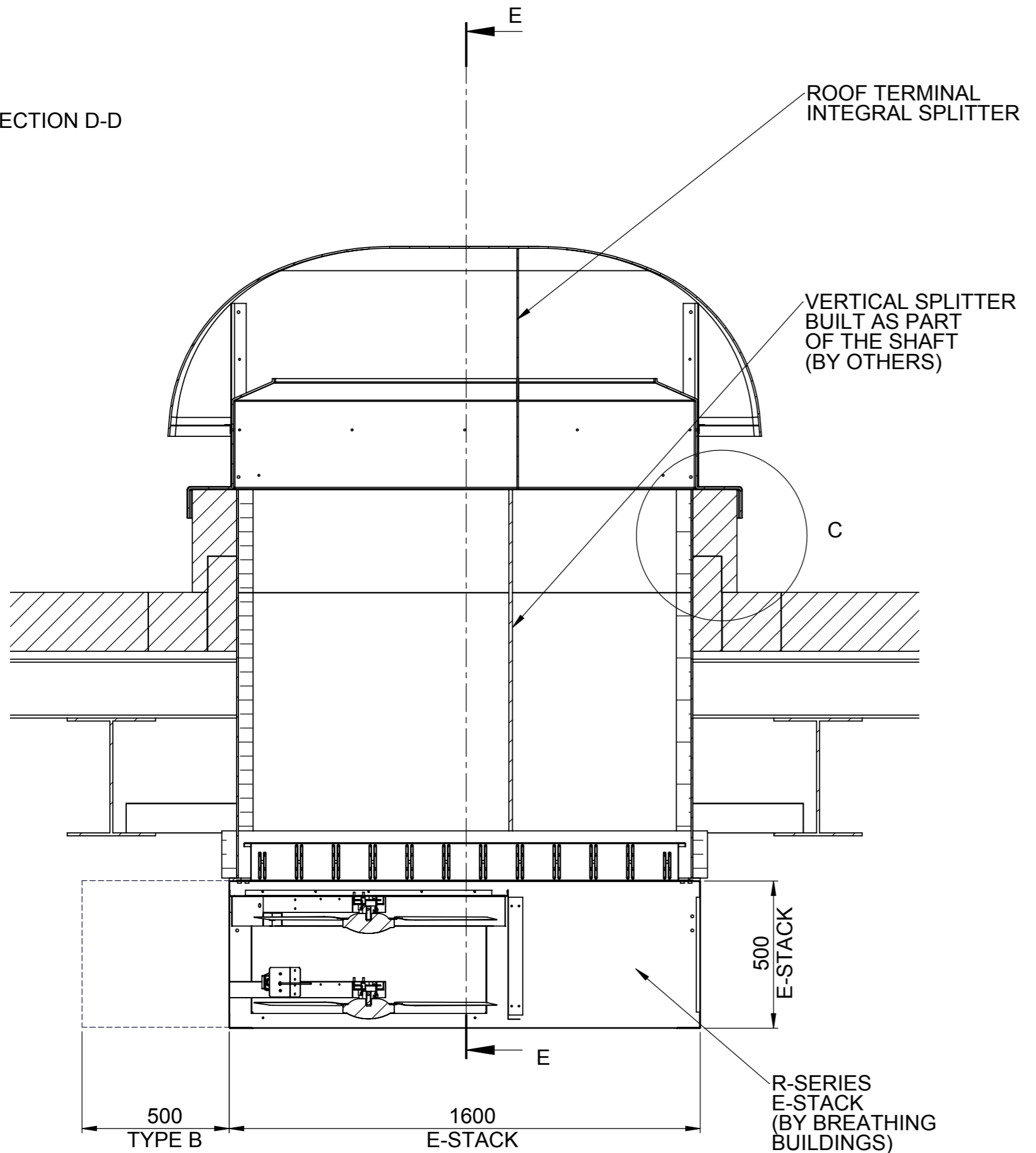
DRAWING NO:
1310_9002_04

MATERIAL:
FINISH:

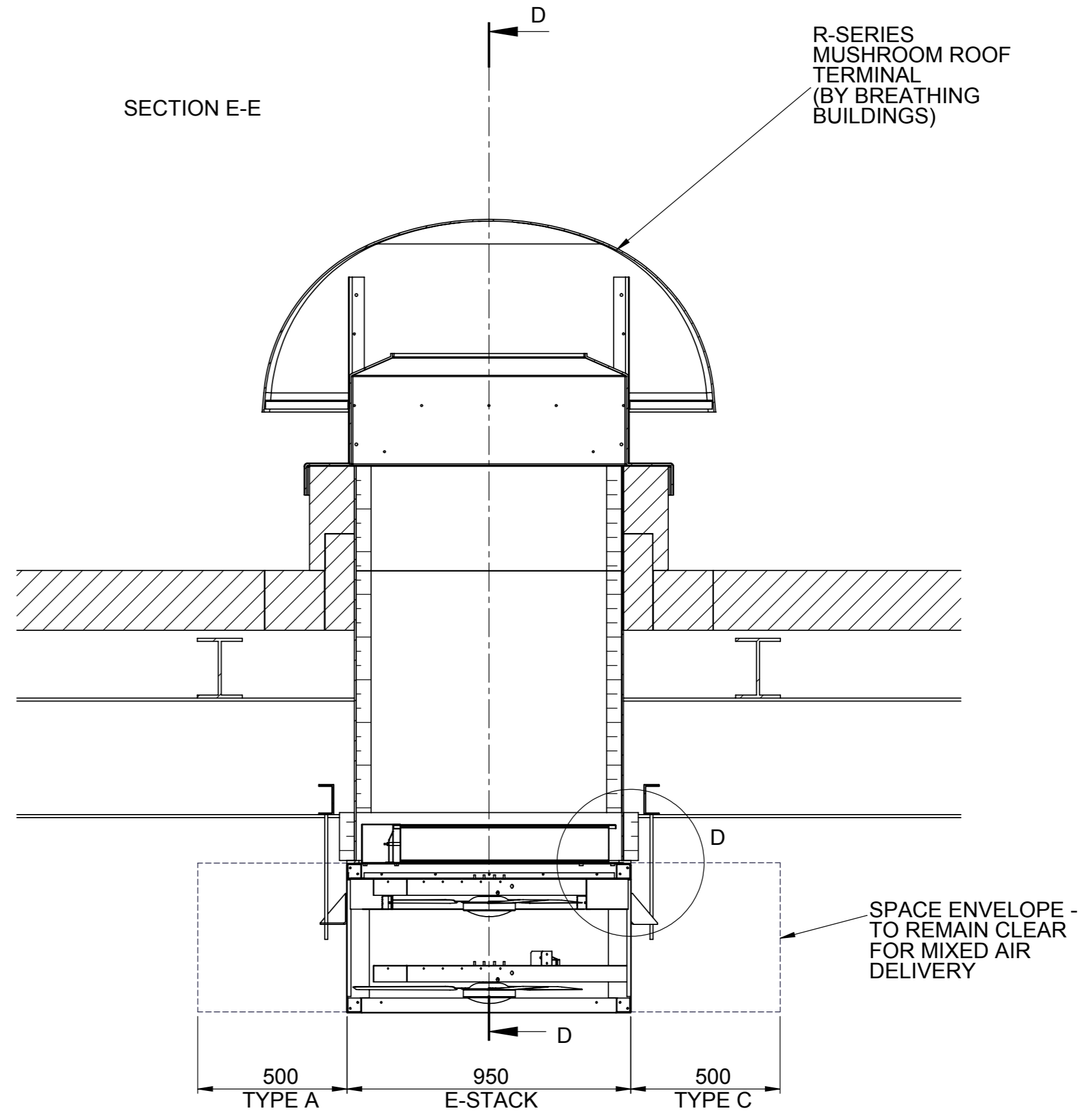
| REV | DRAWN | DATE | CHK'D | DATE |
|-----|-------|------------|-------|------|
| 4 | CC | 25/11/2014 | | |

SCALE 1:15 A3 SHEET 2 OF 3

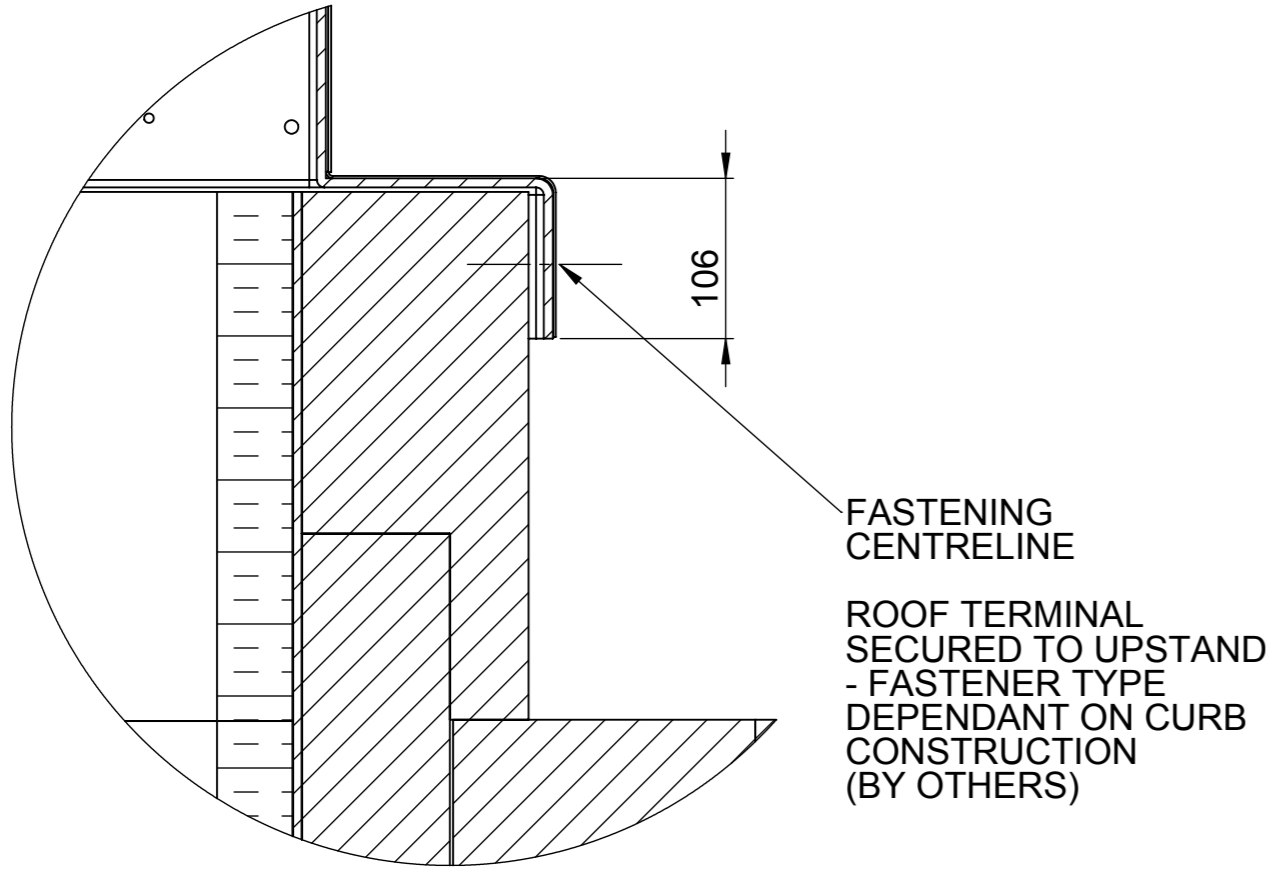
SECTION D-D



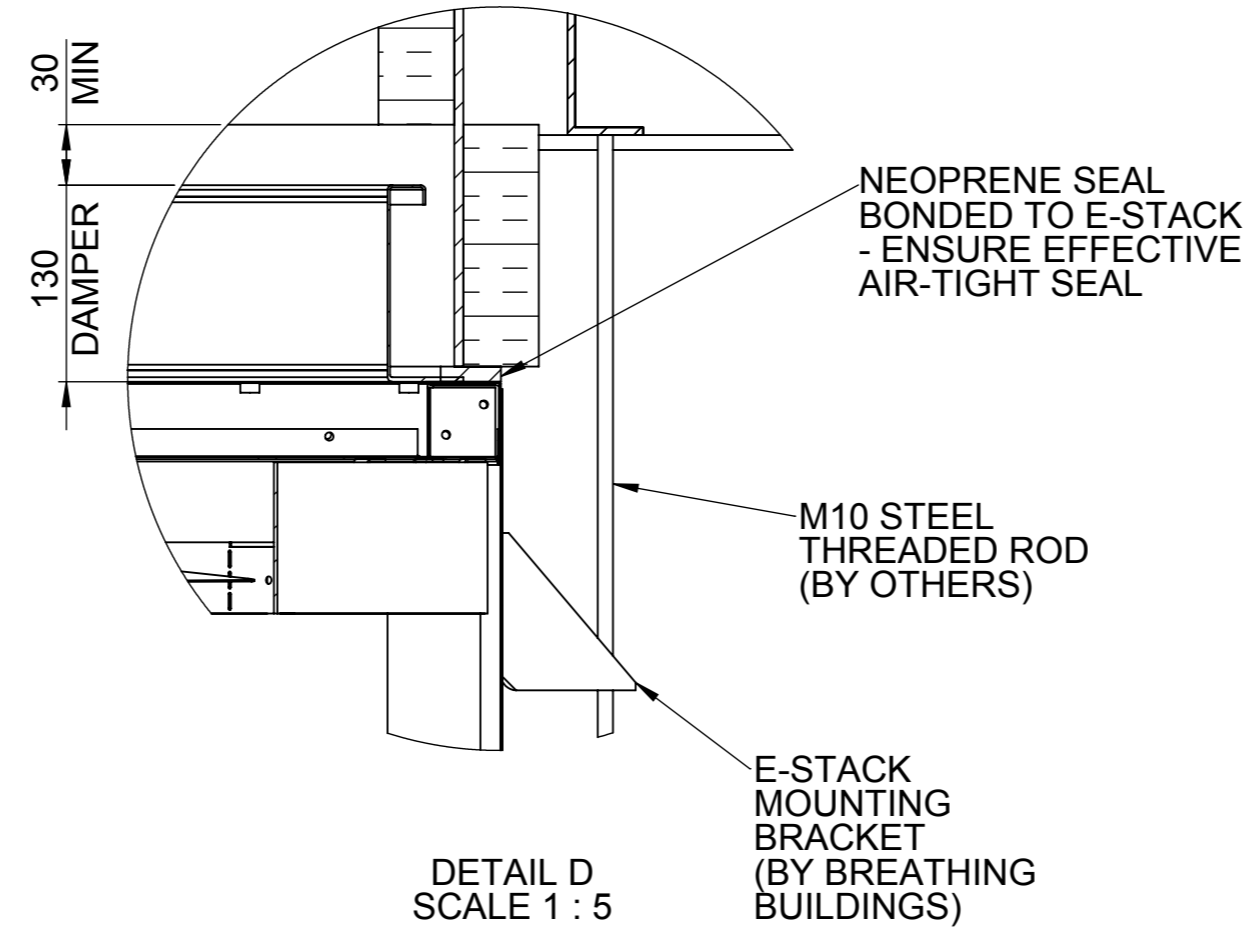
SECTION E-E



DETAIL C SCALE 1:5



DETAIL D SCALE 1:5



| UPSTAND SUBSTRATE | FASTENER TYPE |
|-------------------|--|
| CONCRETE | M6 STAINLESS STEEL RESIN ANCHOR |
| TIMBER | STAINLESS STEEL M6 BOLT OR 5MM DIA. SCREW |
| STEEL | 5MM DIA. STAINLESS STEEL SELF-DRILLING SCREW |
| MASONRY | NOT RECOMMENDED |

DO NOT SCALE

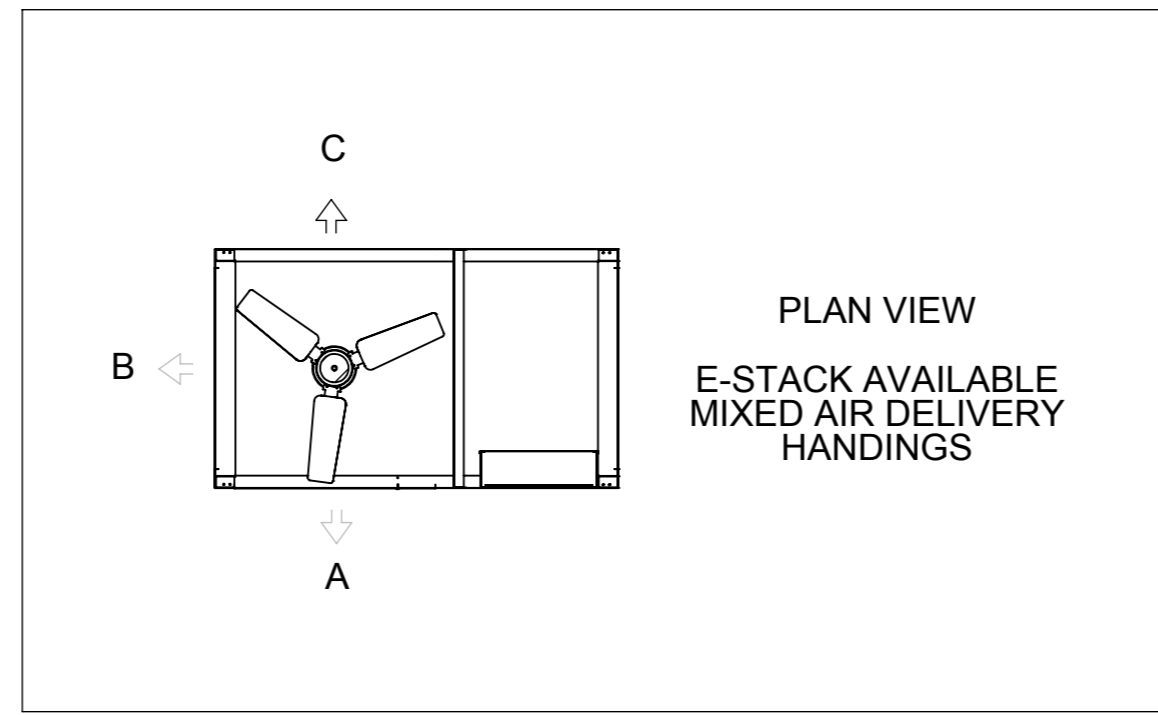
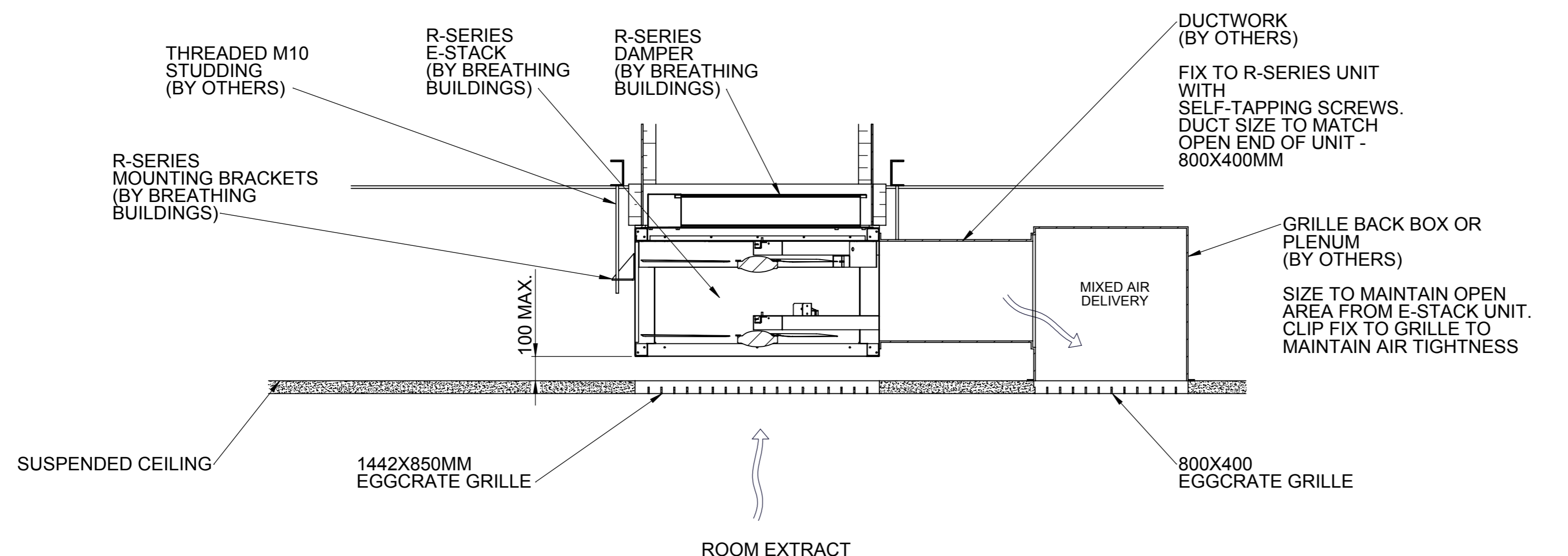
IF IN DOUBT, ASK!

REVISIONS

| ZONE | REV. | DESCRIPTION | DATE | APPROVED |
|------|------|-------------|------|----------|
| - | - | See Sheet 1 | - | - |

NOTES:

- THIS DRAWING SHOWS E-STACK MOUNTED WITH E-STACK FIXING BRACKETS. UNISTRUT CRADLE IS A SUITABLE ALTERNATIVE.
- THE SIZING AND DETAILED DESIGN OF THE LOAD-BEARING SUPPORTS MUST BE SPECIFIED AND SIGNED OFF BY THE STRUCTURAL ENGINEER FOR THE PROJECT.
- BUILDERS TO CHECK STRUCTURAL OPENING AND REPORT IF NOT WITHIN TOLERANCES.
- MIXED AIR DELIVERY HANDING TO BE CONFIRMED PRIOR TO ORDER - TYPE B STANDARD.
- R-SERIES WEIGHT (WITHOUT PALLET AND GRILLES) - APPROX. 86KG.
- DIVIDER TO BE ALIGNED WITH SIMILAR DIVIDER IN SHAFT AND ROOF TERMINAL DURING INSTALLATION TO CREATE TWO AIR PATHWAYS.
- IF UNIT IS POSITIONED LESS THAN 2.7M ABOVE GROUND, FINGER GUARD GRILLES MUST BE USED.
- E-STACK SUPPLIED WITH 4 NO. FIXING BRACKETS.



TOLERANCES EXCEPT WHERE OTHERWISE STATED

| | | |
|--------|---|--------|
| X | : | 0.5MM |
| X.XX | : | 0.05MM |
| ANGLES | : | 0.5° |

SURFACE TEXTURE TO BE 1.6 UMRA OR BETTER

DE-BURR ALL SHARP EDGES AND HOLES
ITEM MUST BE FREE FROM SCRATCHES, DENTS AND OTHER BLEMISHES.

DIMENSIONS IN MILLIMETRES

Breathing Buildings

15 STURTON STREET, CAMBRIDGE, CB1 2SN
T: 01223 450080 F: 01223 450081
WWW.BREATHINGBUILDINGS.COM

TITLE:

R-SERIES INSTALLATION GA WITH MUSHROOM ROOF TERMINAL

DRAWING NO:

1310_9002_04

MATERIAL:

FINISH:

| REV | DRAWN | DATE | CHK'D | DATE |
|-----|-------|------------|-------|------|
| 4 | CC | 25/11/2014 | | |

SCALE 1:20 A3 SHEET 3 OF 3