

**DO NOT SCALE**

**IF IN DOUBT, ASK!**

REVISIONS

REV.	DESCRIPTION	DATE	DRAWN
1	FIRST ISSUE	22/12/2014	CC
2	DIMS	22/12/2014	CC

NOTES:

1. COLOUR GOOSEWING GREY (STD), OTHER COLOURS AVAILABLE ON REQUEST.
2. STAINLESS STEEL FITTINGS AND FIXINGS. SUPPLIED FULLY ASSEMBLED.
- 3.

TOLERANCES EXCEPT WHERE OTHERWISE STATED

X	±	0.5MM
X.XX	±	0.05MM
ANGLES	±	0.5°

SURFACE TEXTURE TO BE 1.6 UMRA OR BETTER

DE-BURR ALL SHARP EDGES AND HOLES. ITEM MUST BE FREE FROM SCRATCHES, DENTS AND OTHER BLEMISHES.

DIMENSIONS IN MILLIMETRES



15 STURTON STREET, CAMBRIDGE, CB1 2SN  
T: 01223 450060 F: 01223 450061  
WWW.BREATHINGBUILDINGS.COM

TITLE:

MUSHROOM ROOF TERMINAL (TYPE S600, S800 AND S1000)

DRAWING NO:

1207\_9001\_02

MATERIAL: STYROSUN H.I.P.S.

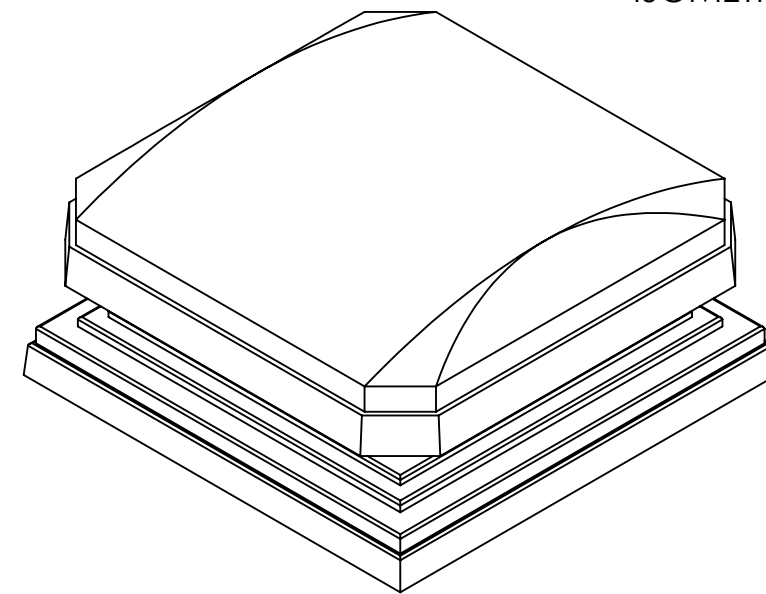
FINISH: GOOSEWING GREY (STD)

REV DRAWN DATE CHK'D DATE

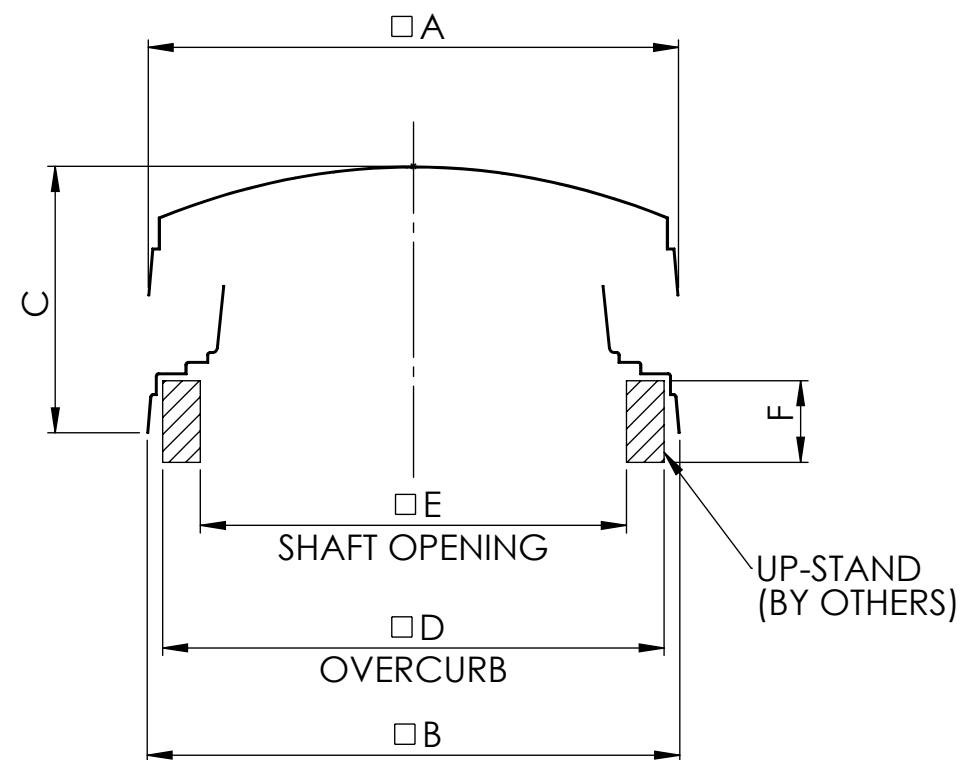
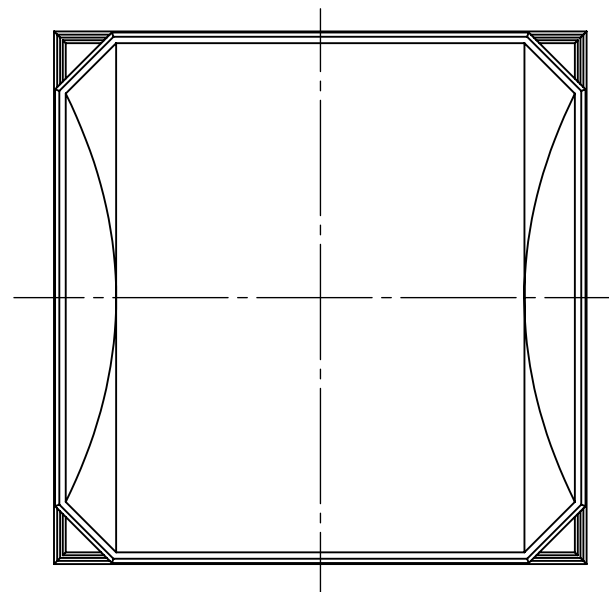
2	CC	22/12/2014		
---	----	------------	--	--

SCALE 1:20 A3 SHEET 1 OF 1

ISOMETRIC



PLAN VIEW



SECTION A-A

TYPE	A	B	C	D	E	F	WEIGHT
S600	1000	1000	466	850	600	150	15KG
S800	1100	1100	608	990	800	150	18KG
S1000	1403	1403	705	1300	1000	150	25KG